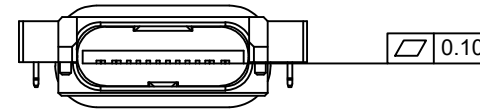
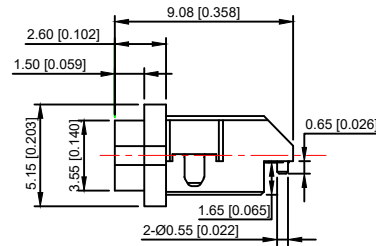
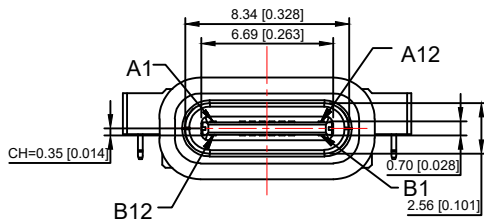


### XKB CONNECITY

#### NOTES:

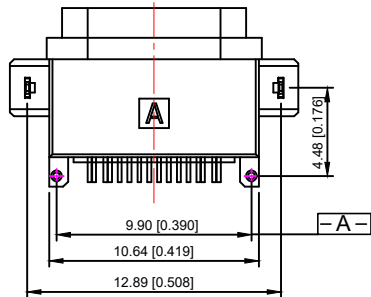
#### SPECIFICATION:

- 1.CURRENT RATING:3.0A MAX
- 2.DIELECTRIC WITHSTAND VOLTAGE:100VAC
- 3.TEMPERATURERANGE:-30 ~85
- 4.CONTACT RESISTANCE:40 MILLIONHM MAX
- 5.INSULATION RESISTANCE: 100 MEGOHMS MIN.
- 6.INSERTION FORCE:5N~20N
- 7.UNMATINGFORCE:8N~20N
- 8.DURABILITY:10.000 CYCLES

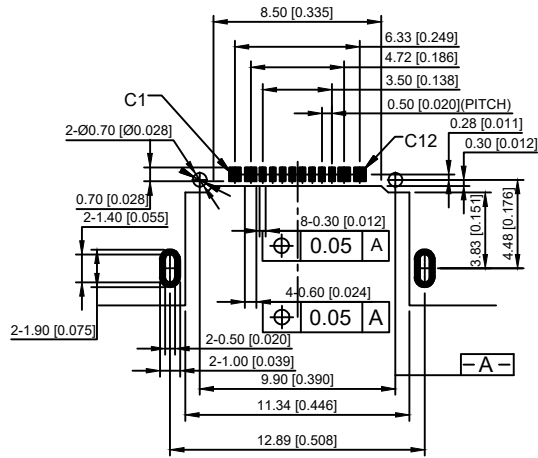


### XKB CONNECITY

ITEM	PART NAME	Q'TY	FINISH	NOTE
3	Shell	1	PA9T (G.F30%)	
2	Contact	5	Phosphor bronze C5191R-EH Au/Ni Plating T=0.12mm	
1	Housing	1	LCP (G.F30%)	

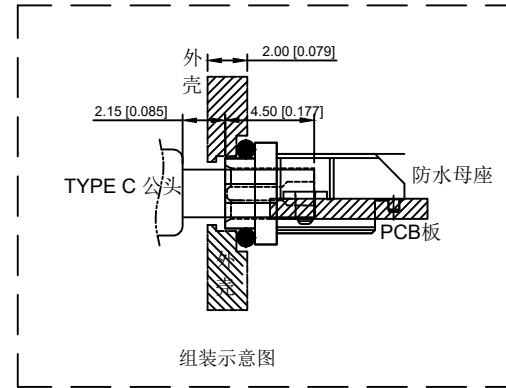


MARK	DESCRIPTION	DATE	REVISED	APPROVED	UNSPECIFIED TOLERANCES	DSND	DATE	SCALE: N/A	MODEL TYPE: 3.1 TYPE C
ΔX					ANGULAR ±5°	DWN	DATE	VIEW:	PART NO.:
ΔX					L ≤ 4 ±0.2	CHKD	DATE	UNIT: mm/in	DWG NO.:
ΔX					4 < L ≤ 16 ±0.3	APPD	DATE	SIZE: A4	USB31-TYPEC-16X7C-1FS
					16 < L ≤ 63 ±0.4	XKB INDUSTRIAL PRECISION CO., LIMITED			WEIGHT
					L > 63 ±0.5				SHEET
									REVISION
									1.0g
									1/1
									A0



**RECOMMENDED PCB LAYOUT(TOP VIEW)**

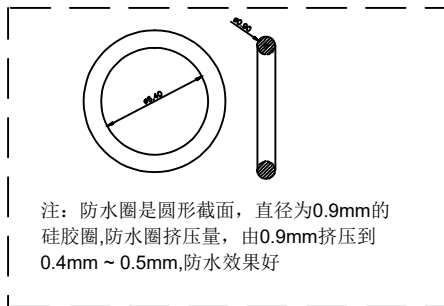
THICKNESS T=1.0mm  
DEFAULT TOLERANCE+/-0.05



**XKB CONNECITY**

INTERFACE(FRONT VIEW)

A1	A2	A3	A4	A5	A6	A7	A8	A9	A10	A11	A12
GND			VBUS	CC1	DP1	DN1	SBU1	VBUS			GND
GND			VBUS	SBU2	DN2	DP2	CC2	VBUS			GND
B12	B11	B10	B9	B8	B7	B6	B5	B4	B3	B2	B1



**PIN ASSIGNMENT**

PIN NO.	A1&B12	A4&B9	B8	A5	B7	A6	A7	B6	A8	B5	A9&B4	A12&B1
SINGAL NAME	GND	VBUS	SBU2	CC1	DN2	DP1	DN1	DP2	SBU1	CC2	VBUS	GND
PCB PAD NO.	C1	C2	C3	C4	C5	C6	C7	C8	C9	C10	C11	C12

					ANGLAR	±5°	DSND	DATE	SCALE: N/A	MODEL TYPE:	3.1 TYPE C	
Δx					L ≤ 4	±0.2	DWN	DATE	VIEW:	PART NO.:		
Δx					4 < L ≤ 16	±0.3	CHKD	DATE	UNIT: mm/in	DWG NO.:		
Δx					16 < L ≤ 63	±0.4	APPD	DATE	SIZE: A4	USB31-TYPEC-16X7C-1FS		
MARK	DESCRIPTION	DATE	REVISED	APPROVED	L > 63	±0.5				WEIGHT	SHEET	REVISION
REVISIONS					UNSPECIFIED TOLERANCES		XKB INDUSTRIAL PRECISION CO., LIMITED			1.0g	1/1	A0
www.xk-dg.cn www.helloxkb.com www.helloxkb.cn												

单击下面可查看定价，库存，交付和生命周期等信息

[>>XKB Connectivity\(中国星坤\)](#)