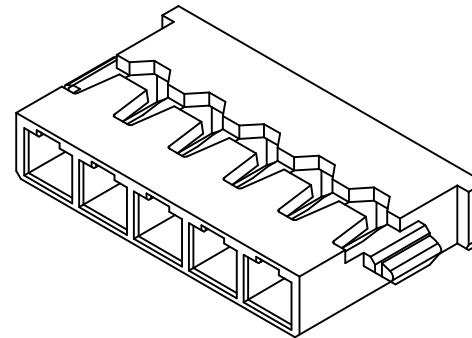


■ Specifications :

- Voltage rating: 50V AC / DC
- Current rating: 1.5A AC / DC
- Withstanding voltage: 500V AC/minute
- Temperature range: -25°C~+85°C
- Contact resistance:≤20mΩ
- Insulation resistance:≥100MΩ
- After environmental testing:≤40mΩ

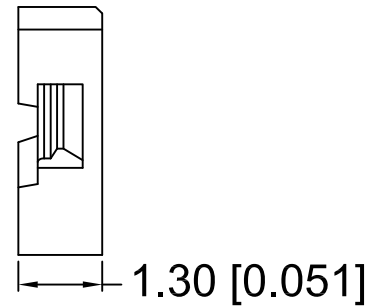
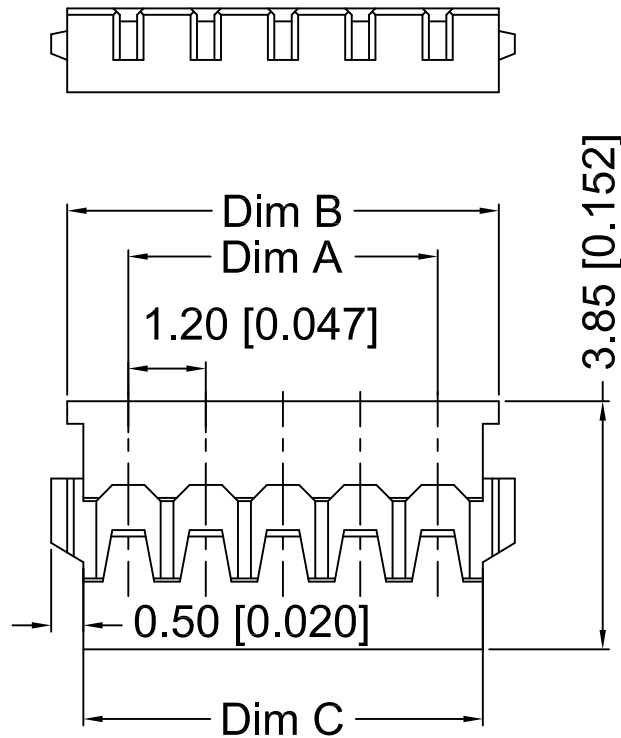


X1224H-XX-N0

① ② ③ ④

- ① Series No.
- ② Category: H-HSG
- ③ Row No.Pin No.XX-02P-10P
- ④ Material:N0-PA66 94V-0

Poles	Dimensions(mm)		
	A	C	B
2	1.20	2.60	3.10
3	2.40	3.80	4.30
4	3.60	5.00	5.50
5	4.80	6.20	6.70
6	6.00	7.40	7.90
7	7.20	8.60	9.10
8	8.40	9.80	10.30
9	9.60	11.00	11.50
10	10.80	12.20	12.70



X1224H-XX-N0	N0-PA66 94V-0	X1224T	X1224W
PART NO	Material	Suitable XKB Terminal	Suitable XKB Terminal

DSND		DATE		SCALE: N/A	MODEL TYPE: X1224H-XX-N0	
DWN		DATE		VIEW:	PART NO.: 1.2mm Crimp Style Connectors	
CHKD		DATE		UNIT: mm/in	DWG NO.:	
APPD		DATE		SIZE: A4		
				WEIGHT	SHEET	REVISION
XKB INDUSTRIAL PRECISION CO.,LIMITED				1.0g	1/1	A0

MARK	DESCRIPTION	DATE	REVISED	APPROVED	UNSPECIFIED TOLERANCES
Δx					ANGULAR ±5°
Δx					L ≤ 4 ±0.2
Δx					4 < L ≤ 16 ±0.3
					16 < L ≤ 63 ±0.4
					L > 63 ±0.5

单击下面可查看定价，库存，交付和生命周期等信息

[>>XKB Connectivity\(中国星坤\)](#)