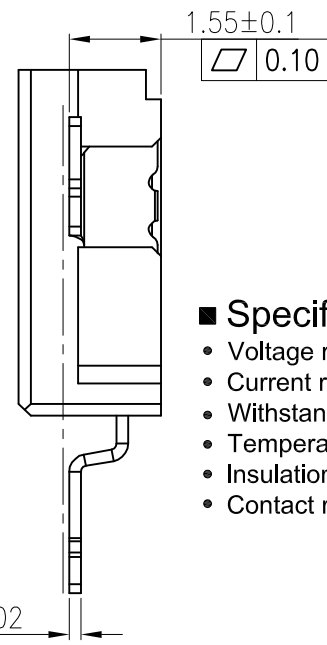
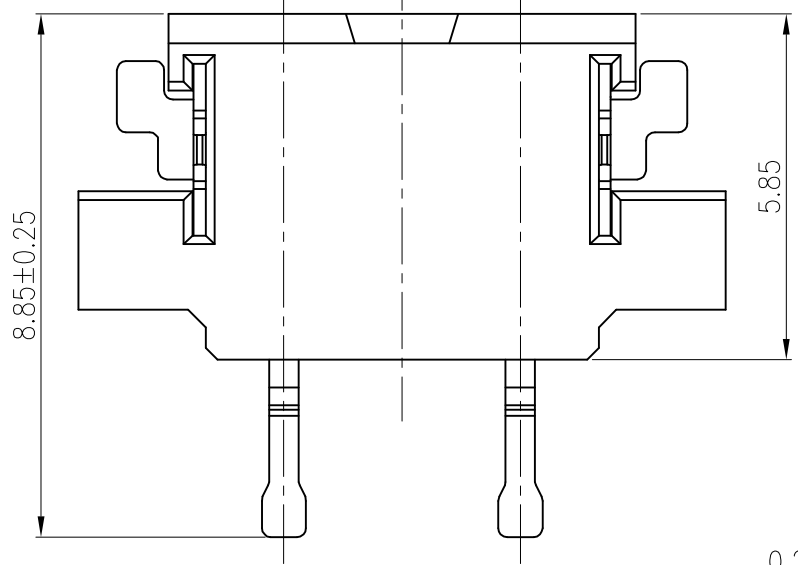


P.C.B Layout



Specifications :

- Voltage rating: 400V AC / DC
- Current rating: 1A AC / DC
- Withstanding voltage: 1800V AC/minute
- Temperature range: -25°C~+85 °C
- Insulation resistance: ≥1000MΩ
- Contact resistance: ≤30mΩ

X4002W F -02 -LP SW

- ① Series No
 ② Category: W-WAFER
 ③ Welding Board Angle: M-Male
 ④ Row No.-Pin No.: XX-Single Row
 ⑤ Material: LP -LCP 94V-0
 ⑥ Plating Category: SW-Fog Tin plating

X4002WF-02-LPSW	LCP UL 94V-0	Phosphor Bronze	Tin-Plated	Brass	Tin-Plated
PART NO	Material	Material(Pin)	Finish(Pin)	Material (Solder Tab)	Finish (Solder Tab)

For and on behalf of
XKB INDUSTRIAL PRECISION CO., LIMITED
香港星坤工業精密有限公司

△ X					ANGULAR	±5°
△ X					L ≤ 4	±0.2
△ X					4 < L ≤ 16	±0.3
△ X					16 < L ≤ 63	±0.4
MARK	DESCRIPTION	DATE	REVISED	APPROVED	L > 63	±0.5

DSND		DATE		SCALE: N/A	MODEL TYPE: X4002WF-02-LPSW
DWN		DATE		VIEW:	PART NO.: 4.00mm BTB Style Connectors
CHKD		DATE		UNIT: mm	DWG NO..
APPD		DATE		SIZE: A4	X4002WF-02-LPSW

REVISIONS
 Authorized Signature(s)

UNSPECIFIED TOLERANCES

XKB INDUSTRIAL PRECISION CO., LIMITED

WEIGHT	SHEET	REVISION
1.0g	1/1	A0

单击下面可查看定价，库存，交付和生命周期等信息

[>>XKB Connectivity\(中国星坤\)](#)