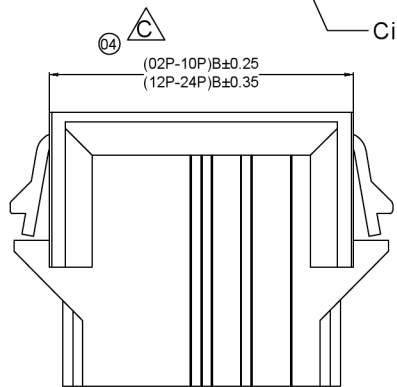
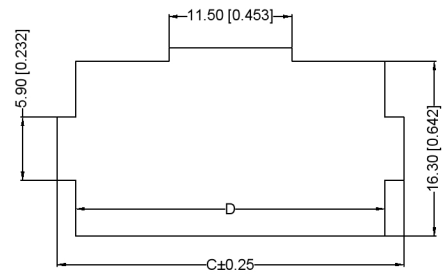
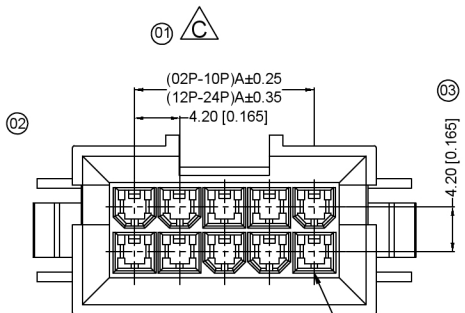
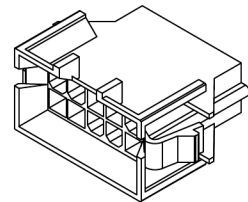
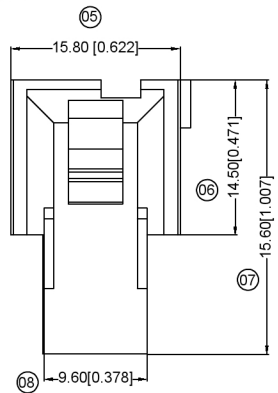


Xi:B



Circuit 1



Specifications:  
 规格: **XKB**  
 Voltage rating:600V AC/DC  
 额定电压: 60V AC/DC  
 Current rating:9A AC/DC  
 额定电流: 9A AC/DC  
 Withstanding voltage:1500V AC/minute  
 耐受电压: 1500V AC/分钟  
 Temperature range:-25℃+85℃  
 温度范围: -25℃+85℃  
 Insulation resistance:≥1000MΩ  
 绝缘电阻: ≥1000MΩ  
 Contact resistance:≤10mΩ  
 接触电阻: ≤10mΩ  
 After environmental testing:≤20mΩ  
 环境测试后: ≤20mΩ

X9357 H F-2\*XX B-NO XX  
 01 02 03 04 05 06 07

- 01 Series No.
- 02 Category:H-HSG
- 03 Welding Board Angle:  
Blank-ordinaryF-Fmale HGS
- 04 Row No.-Pin No.:2\*XX-Doublerow
- 05 Plug the Pin & special No.: B-With a trough
- 06 Material:NO-PA66 94V-0
- 07 Color:Blank-natural color

Poles	Dimensions(mm)			
	A	B	C	D
04	4.20	15.80	19.80	16.30
06	8.40	20.00	24.00	20.50
08	12.60	24.20	28.20	24.70
10	16.80	28.40	32.40	28.90
14	25.20	26.80	40.80	37.30
18	33.60	45.20	49.20	45.70
20	37.80	19.40	53.40	49.90
22	46.20	67.80	61.80	58.30

广东星坤科技股份有限公司

生 日期  
 發 日期

文件工程章

REVISIONS	DATE	REVISED	APPROVED	UNSPECIFIED TOLERANCES

PART NO	Material	Suitable Xi:B Terminal	Suitable Xi:B Terminal
X9357HF-2*XB-NO	Nylon 66 UL 94V-0	9357TM	X9357HM-B 9357VM-B

XKB	DSND	DATE	SCALE: N/A	MODEL TYPE:
ANGLR ±5°				X9357HF-2*XB-NO
L ≤ 4 ±0.2	DWN	DATE	VIEW:	PART NO.:
4 < L ≤ 16 ±0.3	CHKD	DATE	UNIT: mm/in	2.40mm Crimp Style Connectors
16 < L ≤ 63 ±0.4	APPD	DATE	SIZE: A4	DWG NO.:
L > 63 ±0.5	VVP	DATE		

WEIGHT	SHEET	REVISION
1.0g	1/1	A0

单击下面可查看定价，库存，交付和生命周期等信息

[>>XKB Connectivity\(中国星坤\)](#)