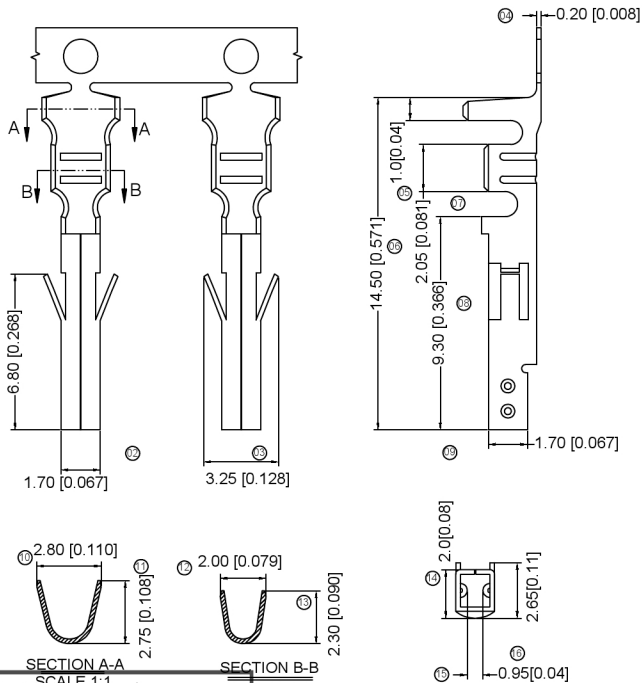


XKB



**Specifications:**

规格: XKB  
**Voltage rating:** 600V AC/DC  
 额定电压: 600V AC/DC  
**Current rating:** 9A AC/DC  
 额定电流: 9A AC/DC  
**Withstanding voltage:** 1500V AC/minute  
 耐受电压: 1500V AC/分钟  
**Temperature range:** -25°C +85°C  
 温度范围: -25°C +85°C  
**Insulation resistance:** ≥1000MΩ  
 绝缘电阻: ≥1000MΩ  
**Contact resistance:** ≤10mΩ  
 接触电阻: ≤10mΩ  
**After environmental testing:** ≤20兆欧  
 环境测试后: ≤20兆欧

X9357 T F X-SN X-L  
 ① ② ③ ④ ⑤ ⑥ ⑦ ⑧ ⑨ ⑩

- 1 Series Number
- 2 Category: T-terminal
- 3 Shape: F-Female
- 4 Material: B-Brass; P-Phosphor Bronze
- 5 Plating style: SN-Bright tin plating
- 6 Plating method:  
Blank-Stamping before plating;
- 7 Special No: L-Normal Leads

广东星坤科技股份有限公司

生 日期  
 發 日期  
 Δ% 文件工程章  
 REVISIONS  
 www.hcxbk.com

X9357TF-PSN-L	Phosphor Bronze	AWG#18-24	12.10mm(Mao)	Stamping Before Plating 30μ MIN. Ni/50Sn MIN	X9357HM
X9357TF-BSN-L	Brass				
PART NO	Material	Wire Range	Insulation O.D	Finish	Suitable X KB

XKB	DSND	DATE	SCALE: NA	MODEL TYPE:
ANGLAR ±5°	DWN	DATE	VIEW:	PART NO.:
L ≤ 4 ±0.2	CHKD	DATE	UNIT: mm/in	2.40mm Crimp Style Connectors
4 < L ≤ 16 ±0.3	APPD	DATE	SIZE: A4	DWG NO.:
16 < L ≤ 63 ±0.4				
L > 63 ±0.5				
UNSPECIFIED TOLERANCES	VKB INDUSTRIAL PRECISION CO., LIMITED			WEIGHT SHEET REVISION
				1.0g 1/1 A0

单击下面可查看定价，库存，交付和生命周期等信息

[>>XKB Connectivity\(中国星坤\)](#)