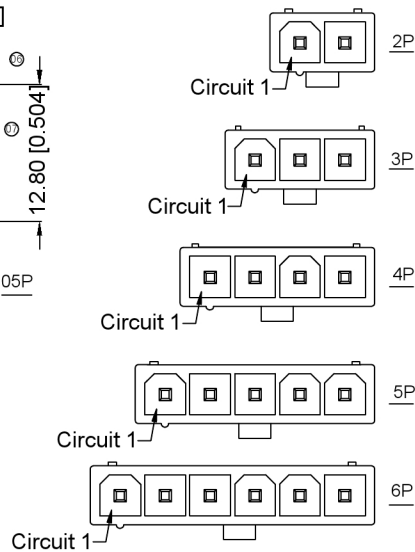
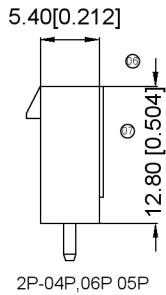
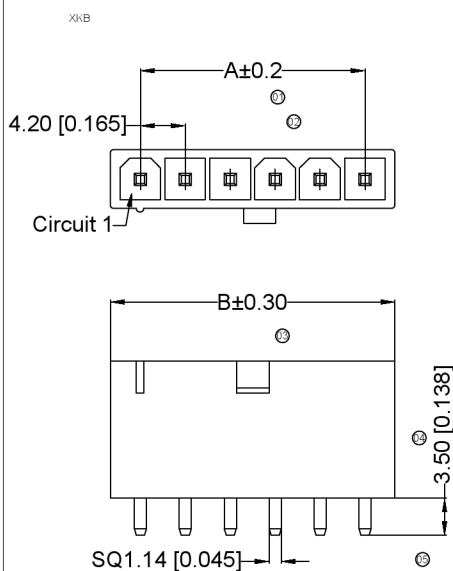


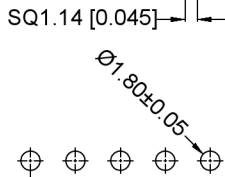
XKB



Specifications:  
 规格: **XKB**  
 Voltage rating:600V AC/DC  
 额定电压: 300V AC/DC  
 Current rating:9A AC/DC  
 额定电流: 9A AC/DC  
 Withstanding voltage:1500V AC/minute  
 耐受电压: 1500V AC/分钟  
 Temperature range:-25℃+85℃  
 温度范围: -25℃+85℃  
 Insulation resistance:≥1000MΩ  
 绝缘电阻: ≥1000MΩ  
 Contact resistance:≤10mΩ  
 接触电阻: ≤10mΩ XKB  
 After environmental testing:≤20mΩ  
 环境测试后: ≤20mΩ

X9357 W V X-XX X-XX SN XX

- 01 Series No.
- 02 Category:W-wafer
- 03 Welding Board Angle: V-180°
- 04 Welding Way: Blank-DIP;
- 05 Row No.-Pin No.: XX-Single row
- 06 Special NO.HF-Halogen free  
Material:NO-PA66 94V-0;  
N2-PA66 94V-2
- 08 Planting Category:  
V01:All Gold Flash;  
SN-Bright tin plating
- 09 Color:Blank-natural color ;  
BK-Black



Poles	Dimensions(mm)	
	A	B
02	4.20	9.60
03	8.40	13.80
04	12.60	18.00
05	16.80	22.20
06	21.00	26.40

PART NO	Material	Material(Pin)	Finish(Pin)	Suitable XKB Terminal
X9357WW-XXHF-N2SN	Nylon 66 UL 94V-2	Brass	Tin-Plated	X9357H
X9357WW-XX-N0V01	Nylon 66 UL 94V-0		Gold -Flash	
X9357WW-XX-N0SN	Nylon 66 UL 94V-0		Tin-Plated	
X9357WW-XX-N2V01	Nylon 66 UL 94V-2		Gold -Flash	
X9357WW-XX-N2SN	Nylon 66 UL 94V-2		Tin-Plated	

广东星坤科技股份有限公司  
 生 日期  
 文件工程章

REVISIONS	DATE	REVISED	APPROVED	UNSPECIFIED TOLERANCES	DSND	DATE	SCALE: N/A	MODEL TYPE: X9357WW-XX-XSN
XKB				ANGLAR ±5°	DWN		VIEW:	PART NO.: 2.40mm Crimp Style Connectors
				L ≤ 4 ±0.2	CHKD		UNIT: mm/mIn	DWG NO.:
				4 < L ≤ 16 ±0.3	APPD		SIZE: A4	
				16 < L ≤ 63 ±0.4				
				L > 63 ±0.5				
								WEIGHT 1.0g
								SHEET 1/1
								REVISION A0

单击下面可查看定价，库存，交付和生命周期等信息

[>>XKB Connectivity\(中国星坤\)](#)