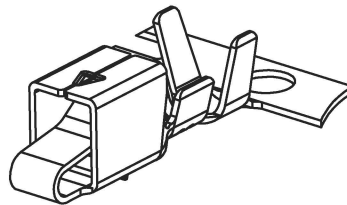
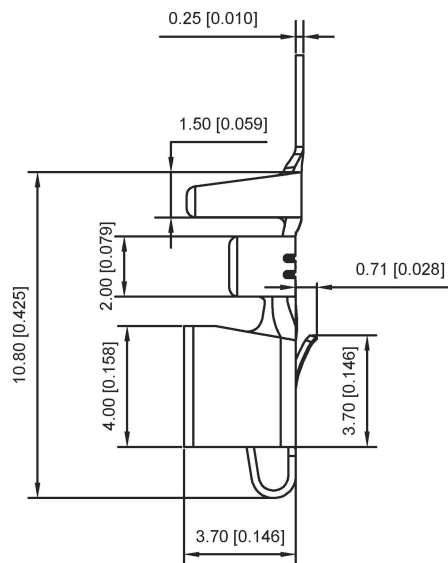


SECTION A-A  
SCALE 1: 1

SECTION B-B  
SCALE 1: 1



■ Specifications :

- Voltage rating: 250V AC / DC
- Current rating: 7A AC / DC
- Withstanding voltage: 1500V AC/minute
- Temperature range: -25°C~+85°C
- Insulation resistance:  $\geq 1000M \Omega$
- Contact resistance:  $\leq 10m\Omega$
- After environmental testing :  $\leq 20m\Omega$

X9396 T -B SN

① ② ③ ④

- ① Series No.
- ② Category : T-terminal
- ③ Material: B-Brass
- ④ Plating style: SN-Bright tin plating

Poles	Dimensions(mm)		Poles	Dimensions(mm)	
	A	B		A	B
02	3.96	8.30	09	31.68	36.30
03	7.92	12.30	10	35.64	40.30
04	11.88	16.30	11	39.60	44.30
05	15.84	20.30	12	43.56	48.30
06	19.80	24.30	13	47.52	52.30
07	23.76	28.30	14	51.48	56.30
08	27.72	32.30	15	55.44	60.30

X9396T-BSN	Brass	AWG#18-22	3.00mm(Max)	Stamping Before Plating:30u" Ni;70u"Sn	X9396H
PART NO	Material	Wire Range	Insulation O.D.	Finish	Suitable XKB Terminal

广东星坤科技股份有限公司

生效

ΔX	日期
ΔX	日期
ΔX	日期
MARK	DESCRIPTION

文件工程章

REVISIONS

NO.	DESCRIPTION	DATE	REVISED	APPROVED	UNSPECIFIED TOLERANCES
-----	-------------	------	---------	----------	------------------------

www.xk-dg.cn www.helloxkb.com www.helloxkb.cn

DSND	DATE	SCALE: N/A	MODEL TYPE: X9396T-PSN
DWN	DATE	VIEW:	PART NO.: 3.96mm Crimp Style Connectors
CHKD	DATE	UNIT: mm/in	DWG NO.: X9396T-PSN
APPD	DATE	SIZE: A4	
XKB INDUSTRIAL PRECISION CO., LIMITED			WEIGHT 1.0g
			SHEET 1/1
			REVISION A0

单击下面可查看定价，库存，交付和生命周期等信息

[>>XKB Connectivity\(中国星坤\)](#)