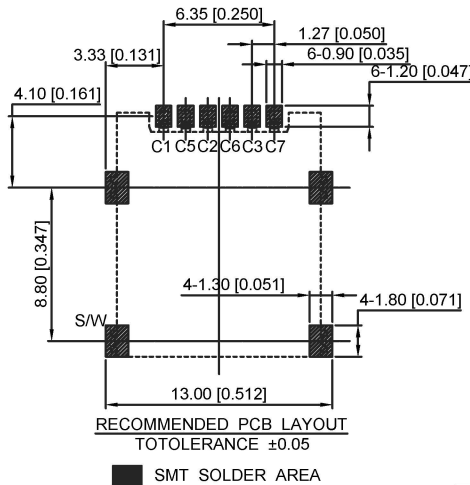
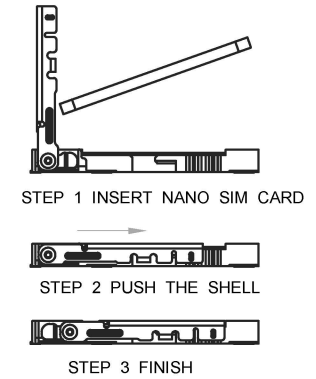
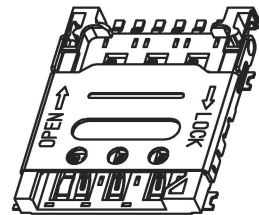
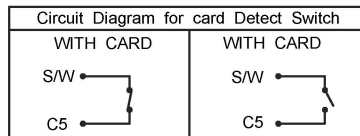


PIN NO.	PIN NAME
C1	VCC
C2	RST
C3	CLK
C5	GND
C6	VPP
C7	I/O
S/W	Switch Pin



RECOMMENDED PCB LAYOUT
TOLERANCE ±0.05

■ SMT SOLDER AREA



- NOTES:
- MATERIAL:
 - Housing: High Temperature Thermoplastic UL94V-0; Color Black.
 - Terminal: Copper Alloy, T=0.12mm.
 - Shell: SUS, T=0.20mm.
 - FINISH:
 - Terminal: Plated Gold on the Contact Area and Solder Tails
 - Peg: Plated Gold on the Solder Tails.
 - SPECIALITY:
 - Rated current: 0.5A
 - Rated voltage: 50V
 - Contact Resistance: 50mΩ MAX
 - Insulation Resistance: 100MΩMIN 100V DC
 - Dielectric withstanding voltage: 100V AC.
 - Durability Cycles: 5000 Cycles.
 - Solder ability: 245±5°C, 5±0.5s.
 - Operating condition: Temperature: -30°C~+80°C Humidity: 80% R.H MAX

ITEM	PART NAME	QTY	MATERIAL	FINISHING
③	Shell	1	SUS	
②	Terminal	6	COPPER ALLOY	
①	Housing	1	HI-TEMP. PLASIC UL 94V-0	BLACK

广东星坤科技股份有限公司

生 效 日期

文件 工程 章

REVISIONS

www.helloxkb.com www.helloxkb.com www.helloxkb.com

DSND	DATE	SCALE: N/A	MODEL TYPE:
DWN	DATE	VIEW:	SIM CARD CONN
CHKD	DATE	UNIT: mm/in	PART NO.:
APPD	DATE	SIZE: A4	DWG NO.:
			XKNANO-1306
XKB INDUSTRIAL PRECISION CO., LIMITED			WEIGHT SHEET REVISION
			1.0g 1/1 A0

单击下面可查看定价，库存，交付和生命周期等信息

[>>XKB Connectivity\(中国星坤\)](#)