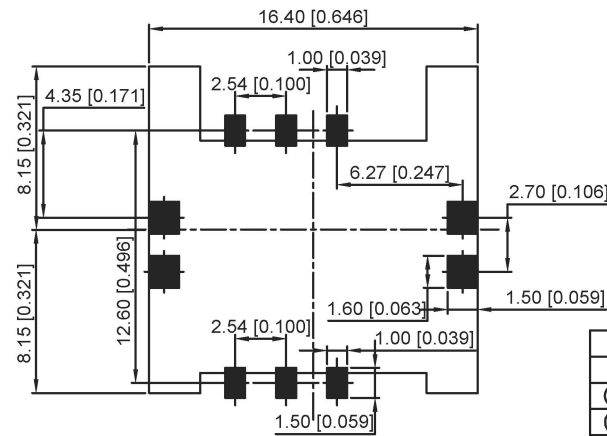


2FF SIM CARD



Recommended PCB Layout

PIN NO.	PIN NAME
PIN 1	Supply Voltage Vcc
PIN 2	Resrt (RST)
PIN 3	Clock (CLK)
PIN 5	Ground
PIN 6	Programming Voltage Vpp
PIN 7	I/O
PIN 4/8	N/A

ITEM	PAPT NAMF	QTY	MATERIAL	FINISHING
③	Shell	1	SUS	
②	Terminal	6	COPPER ALLOY	
①	Housing	1	HI-TEMP.PLASIC UL 94V-0	BLACK

广东星坤科技股份有限公司

生效日期

文件工程章

日期

REVISIONS

www.helloxk.com www.helloxk.com www.helloxk.com

ANGLAR ±5°
L ≤ 4 ±0.2
4 < L ≤ 16 ±0.3
16 < L ≤ 63 ±0.4
L > 63 ±0.5

UNSPECIFIED TOLERANCES

DSND	DATE	SCALE: N/A	MODEL TYPE:
DWN	DATE	VIEW:	SIM CARD CONN
CHKD	DATE	UNIT: mm/in	PART NO.:
APPD	DATE	SIZE: A4	DWG NO.:
			XKSIM-004
		WEIGHT	SHEET
		1.0g	1/1
		REVISION	A0

XKB INDUSTRIAL PRECISION CO., LIMITED

单击下面可查看定价，库存，交付和生命周期等信息

[>>XKB Connectivity\(中国星坤\)](#)