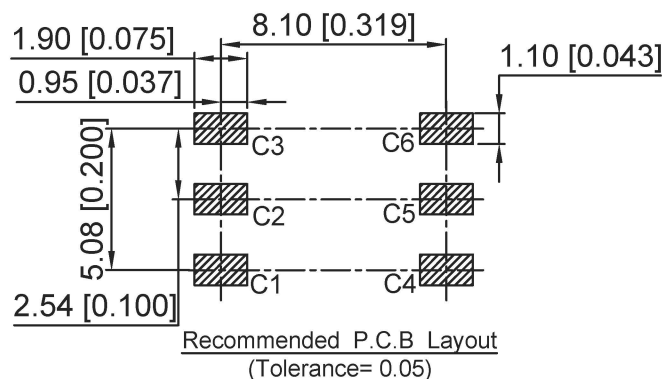
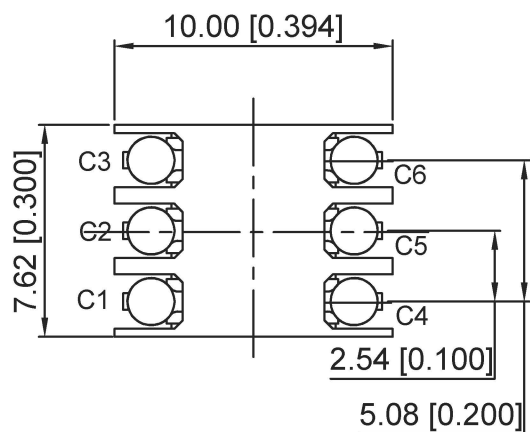
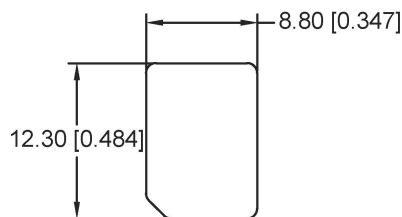
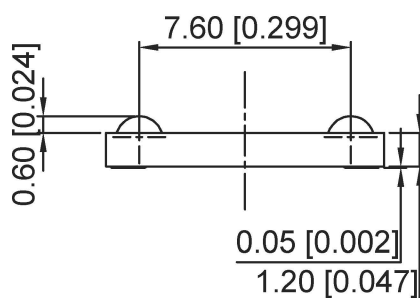


NOTES:

- Material:
Housing: HI-Temp plastic UL 94V-0
Contact: Copper Alloy
- Finish:
CONTACT: G/F" Gold plated on contact area;
G/F plated on solder tails, Base Nickel :50u" Min
- Part number information:



SIM CARD	
PIN NO.	DESCRIPTION
C1	VCC
C2	RST
C3	CLK
C4	RESERVED
C5	GND
C6	VPP



ITEM	PAPT NMF	QTY	MATERIAL	FINISHING
②	Terminal	6	COPPER ALLOY	
①	Housing	1	LCP UL 94V-0	BLACK

4FF SIM CARD

广东星坤科技股份有限公司

生效日期

MARK	DESCRIPTION	DATE	REVISED	APPROVED	REVISIONS

文件工程章

www.helloxkb.com www.helloxkb.com www.helloxkb.com

ANGLAR	±5°
L ≤ 4	±0.2
4 < L ≤ 16	±0.3
16 < L ≤ 63	±0.4
L > 63	±0.5

UNSPECIFIED TOLERANCES

DSND		DATE		SCALE: N/A	MODEL TYPE: SIM CARD CONN
DWN		DATE		VIEW:	PART NO.:
CHKD		DATE		UNIT: mm/in	DWG NO.:
APPD		DATE		SIZE: A4	XKSIM-0605
XKB INDUSTRIAL PRECISION CO., LIMITED				WEIGHT	SHEET
				1.0g	1/1
					REVISION
					A0

单击下面可查看定价，库存，交付和生命周期等信息

[>>XKB Connectivity\(中国星坤\)](#)