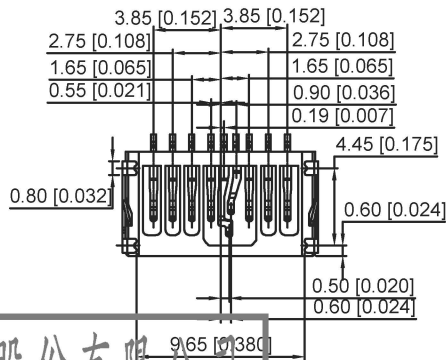
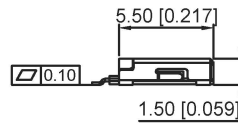
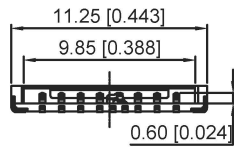
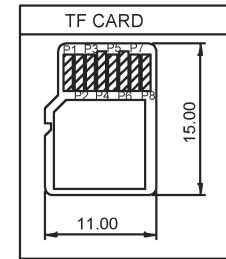


RECOMMENDED PCB LAYOUT  
TOL:(±0.05)



P8	DAT1
P7	DAT0
P6	VSS
P5	CLK
G1	SWITCH
P4	VDD
P3	CMD
P2	CD/DAT3
P1	DAT2
PIN NUMBER	PIN NUMBER

NOTE:  
1.ELECTRICAL  
1-1.CONTACT RESISTANCE:  
80 milliohms MAX.  
1-2.INSULATION RESISTANCE:  
1,000 Megohms MIN.  
1-3.DIELECTRIC WITHSTANDING  
VOLTAGE: 500V AC  
FOR 1 MINUTE.  
2.RoHS 2002/95/EC COMPLIANT.

③	Shell	1	SUS	
②	Terminal	9	COPPER ALLOY	
①	Housing	1	HI-TEMP.PLASIC UL 94V-0	BLACK
ITEM	PAPT NAMF	QTY	MATERIAL	FINISHING

广东星坤科技股份有限公司

生效日期

MARK	DESCRIPTION	DATE	REVISED	APPROVED	UNSPECIFIED TOLERANCES

DSND	DATE	SCALE: N/A	MODEL TYPE:		
DWN	DATE	VIEW:	TF CARD CONN		
CHKD	DATE	UNIT: mm/in	PART NO.:		
APPD	DATE	SIZE: A4	DWG NO.:		
			XKTF-0803-0		
			WEIGHT	SHEET	REVISION
			1.0g	1/1	A0

文件工程章

单击下面可查看定价，库存，交付和生命周期等信息

[>>XKB Connectivity\(中国星坤\)](#)