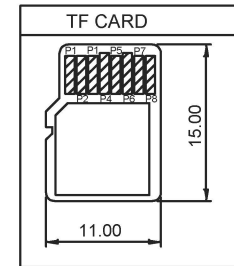
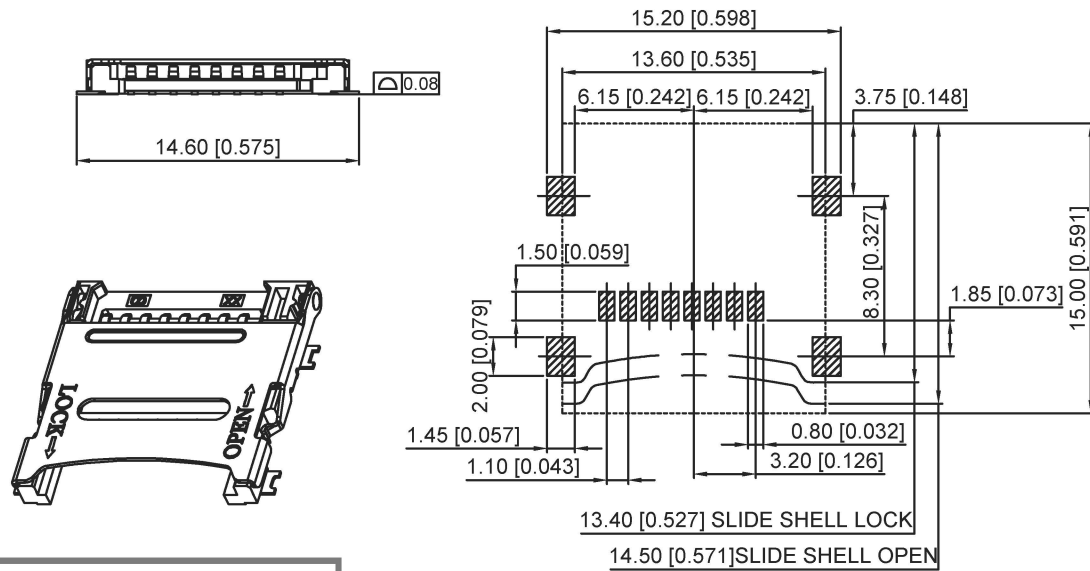


- NOTES:
- MATERIAL:
 - Housing: HI-TEMP. PLASIC UL 94V-0; Color Black.
 - Terminal: Copper Alloy, T=0.12mm.
 - Shell: SUS, T=0.20mm.
 - FINISH:
 - Terminal: Plated Gold on the Contact Area and Solder Tails
 - SHELL: NICKEL PLATED OVER ALL.



ITEM	PAPT NAMF	QTY	MATERIAL	FINISHING
③	Shell	1	SUS	
②	Terminal	8	COPPER ALLOY	
①	Housing	1	HI-TEMP. PLASIC UL 94V-0	BLACK

RECOMMENDED PCB LAYOUT

广东星坤科技股份有限公司

生效日期

文件工程章

日期

REVISIONS

www.hellokx.com www.hellokx.com www.hellokx.com

MARK	DESCRIPTION	DATE	REVISED	APPROVED

UNSPECIFIED TOLERANCES

DSND	DATE	SCALE: N/A	MODEL TYPE:
DWN	DATE	VIEW:	TF CARD CONN
CHKD	DATE	UNIT: mm/in	PART NO.:
APPD	DATE	SIZE: A4	DWG NO.:
			XKTF-1307-18
			WEIGHT
			1.0g
			SHEET
			1/1
			REVISION
			A0

XKB INDUSTRIAL PRECISION CO., LIMITED

单击下面可查看定价，库存，交付和生命周期等信息

[>>XKB Connectivity\(中国星坤\)](#)