

■ Features

- Ultra low profile.
- Magnetic shielded for low radiation.
- Bobbin ferrite core and compact size.
- Low core loss for high frequency power application.
- Large terminal surface for good PCB bonding.
- Operating temperature:-40℃ ~ +125℃.

■ Applications

- Portable communication equipment.
- Notebook PC,digital camera,LCD television set.
- Power supply for VTR,OA equipment.
- DC/DC converters.

■ Product Identification

$\frac{\text{XRRH}}{(1)} \quad \frac{\square\square\square\square}{(2)} - \frac{\square\square\square}{(3)} \quad \frac{\text{M}}{(4)}$

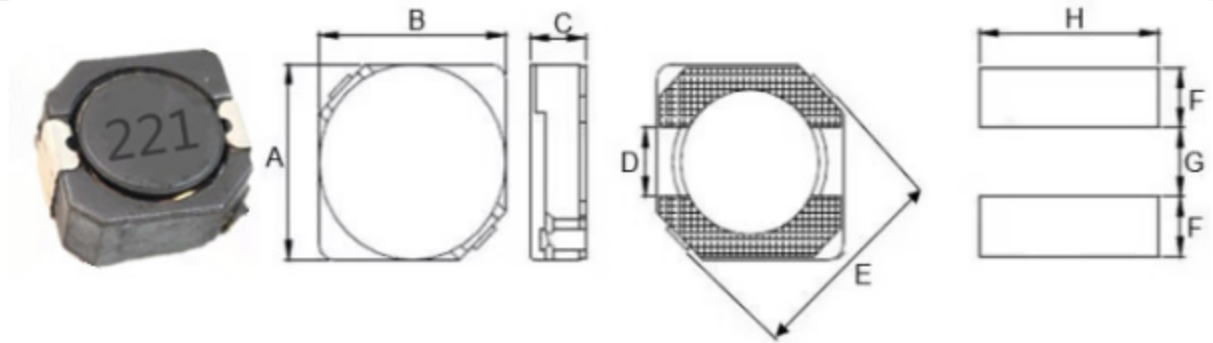
(1) : Type

(2) : Dimensions

(3) : Inductance value

(4) : Inductance Tolerance; M=±20%

■ Shapes and Dimensions (Unit: mm)



TYPE	A	B	C max.	D	E	F Ref.	G Ref.	H Ref.
XRRH5D18	5.7±0.3	5.7±0.3	2.0	2.00	8.2	2.15	2.0	6.3

■ XRRH5D18 Series

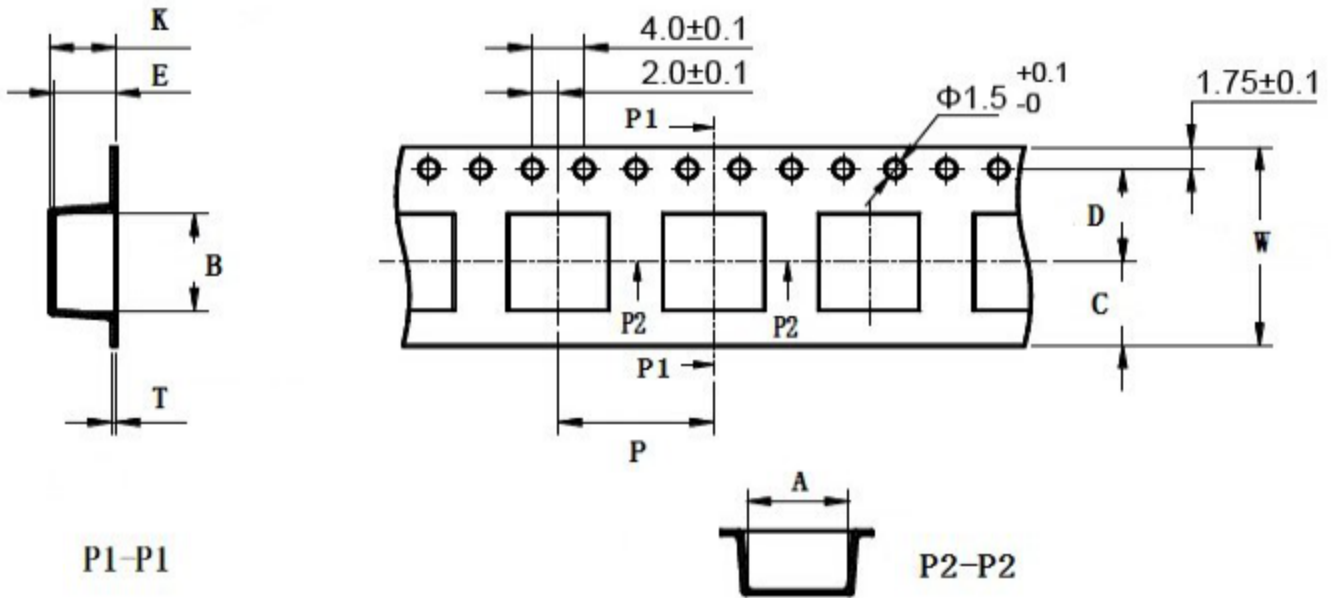
Part Number	Inductance (uH)	Test Freq.(KHz)	DCR MAX.(Ω)	Rated Current (A)
XRRH5D18-1R0M	1.0	100	0.031	5.6
XRRH5D18-1R5M	1.5	100	0.038	4.6
XRRH5D18-2R2M	2.2	100	0.046	4.1
XRRH5D18-2R7M	2.7	100	0.065	3.3
XRRH5D18-3R3M	3.3	100	0.078	2.9
XRRH5D18-4R7M	4.7	100	0.098	2.5
XRRH5D18-5R6M	5.6	100	0.109	2.4
XRRH5D18-6R8M	6.8	100	0.960	1.40
XRRH5D18-8R2M	8.2	100	0.116	1.25
XRRH5D18-100M	10.0	100	0.124	1.20
XRRH5D18-120M	12.0	100	0.153	1.10
XRRH5D18-150M	15.0	100	0.196	0.97
XRRH5D18-180M	18.0	100	0.210	0.85

XRRH5D18 Series-Power Inductors

Part Number	Inductance (uH)	Test Freq.(KHz)	DCR MAX.(Ω)	Rated Current (A)
XRRH5D18-220M	22.0	100	0.290	0.80
XRRH5D18-270M	27.0	100	0.330	0.75
XRRH5D18-330M	33.0	100	0.385	0.65
XRRH5D18-390M	39.0	100	0.520	0.57
XRRH5D18-470M	47.0	100	0.595	0.54
XRRH5D18-560M	56.0	100	0.665	0.50
XRRH5D18-680M	68.0	100	0.840	0.43
XRRH5D18-820M	82.0	100	0.978	0.41
XRRH5D18-101M	100	100	1.200	0.36

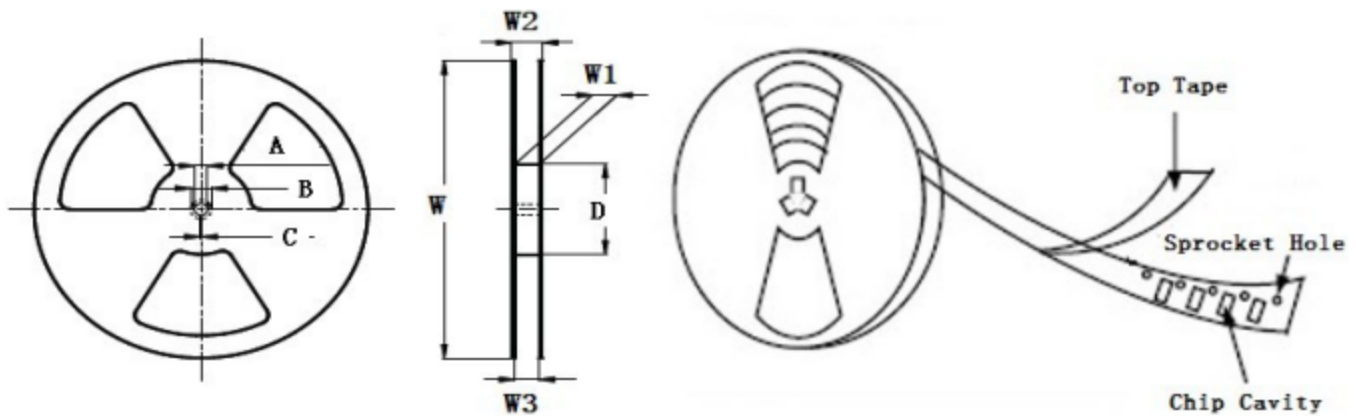
- ※ The saturation current value is the DC current value having inductance decrease down to 30%.(at 20°C)
- ※ The temperature rise current value is the DC current value having temperature increase up to 40°C. (at 20°C)
- ※ The rated current is the DC current value that satisfies both of current value saturation current value and temperature rise current value.

■ Taping Dimensions(Unit:mm)



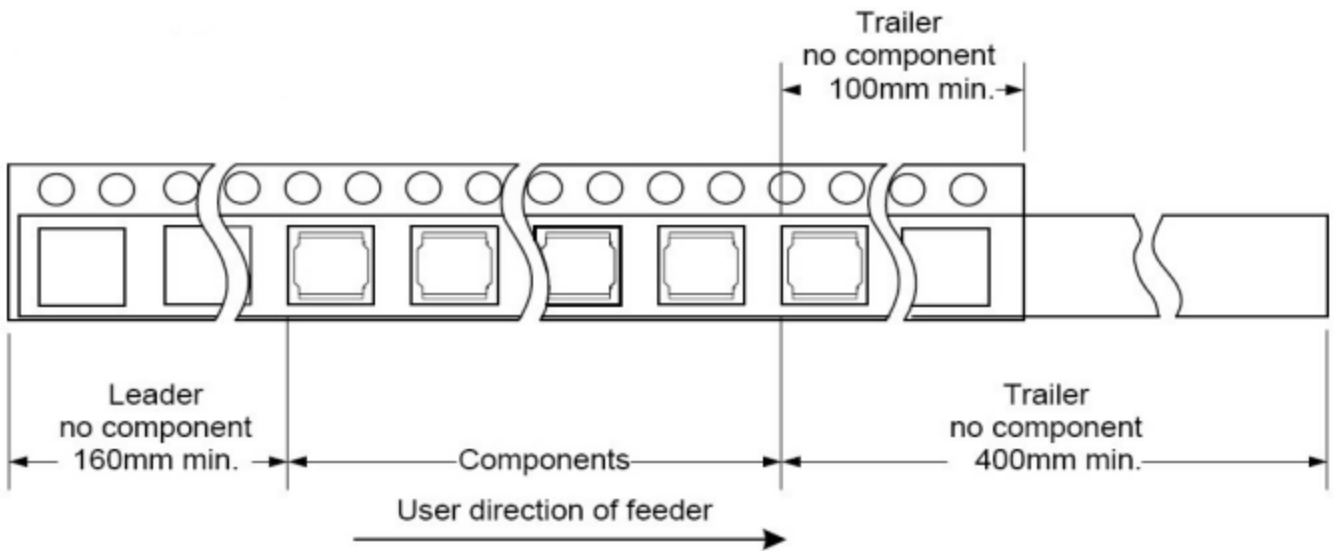
TYPE	W	A	B	C	D	E	P	K Ref	T	MPQ
XRRH5D18	16±0.3	6.20±0.1	6.20±0.1	6.75	7.5±0.1	2.80±0.1	12±0.1	3.00	0.30±0.05	2000

■ Reel Dimensions(Unit:mm)

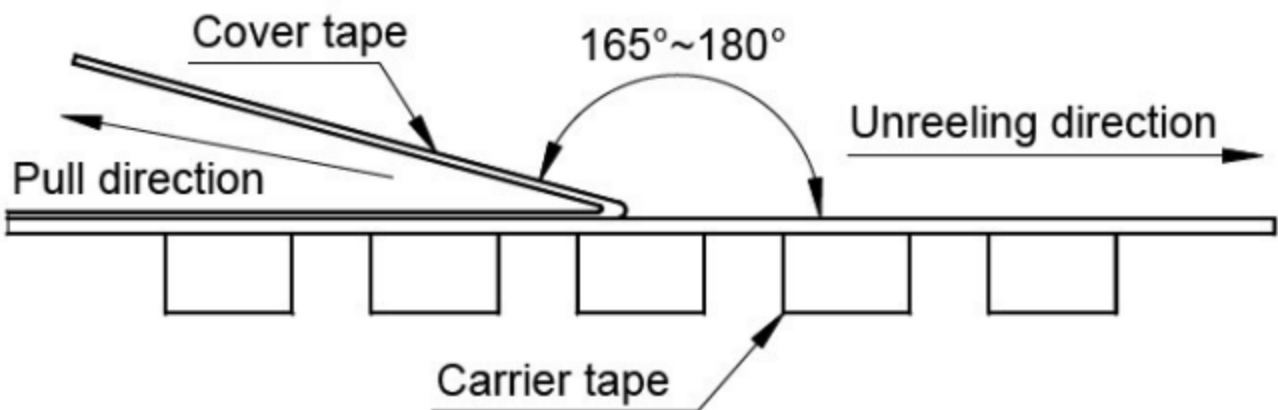


TYPE	W	W1	W2	W3	A	B	C	D
XRRH5D18	330±2.0	16.4±2.0	22.4 Max	15.9 Min	13.0±0.50	21.0±0.80	2.0±0.50	100 Min

Direction of rolling



Cover tape peel off condition



Cover tape peel force shall be 0.1N to 1.3N.

Reference peel speed 300 ± 10 mm/min.

单击下面可查看定价，库存，交付和生命周期等信息

[>>XR\(祥如\)](#)