



产品承认书 SPECIFICATION FOR APPROVAL

客户名称:
CUSTOMER

我司料号:
OUR PART NO.

XRSQ1515-10mH-V-810

我司品名:
OUR PART NAME

SQ扁平线电感

送样日期:
DATE SAMPLES

数量: 0PCS
QUANTITY

制造确认 MANUFACTURER APPROVE

拟制 DRAWN	审核 CHECKED	确认 APPROVED

客户确认 CUSTOMER APPROVE

客户名称 CUSTOMER NAME:

客户料号 CUSTOMER P/N:

规格型号 DESCRIPTION: SQ1515 立式 10mH 8*10 脚距 0.20t*1.0线

检查结果: 合格 不合格

签名及盖章:

INSPECT RESULT ACCEPT REJECT

SIGNATURE AND STAMP

说明 REMARK:

如对本承认书内容有异议请提出或标记发送至我司, 本承认书在未收到异议回复时于本承认书提供一周后生效。

东莞市祥如电子有限公司

地址: 广东省东莞市塘厦镇莲湖第一工业区南二横路36号B栋

电话: 0769-86346548 传真: 0769-86346358

邮箱: dgxiangru@126.com



东莞市祥如电子有限公司

SPECIFICATION FOR APPROVAL

CUSTOMER _____
 CUSTOMER 'S PART NO _____ VER _____ A
 DESCRIPTION SQ1515-10mH 立式 8x10 脚距 OUR DRAWING NO XRSQ1515-10mH-V-810

A REVISION HISTORY

DATE OF	REVISED PROJECT	EDITION	NOTE
2019/07/22	NEEW VERSION	A	
2024/07/19	REVISION		

PPROVED BY	CHECKED BY	PREPARED BY	UNIT	mm
李振雄	唐文	谢诗珍	DATE	2024/07/19
			REV NO.	A

东莞市祥如电子有限公司

SPECIFICATION FOR APPROVAL

CUSTOMER _____

CUSTOMER 'S PART NO _____

VER _____

A

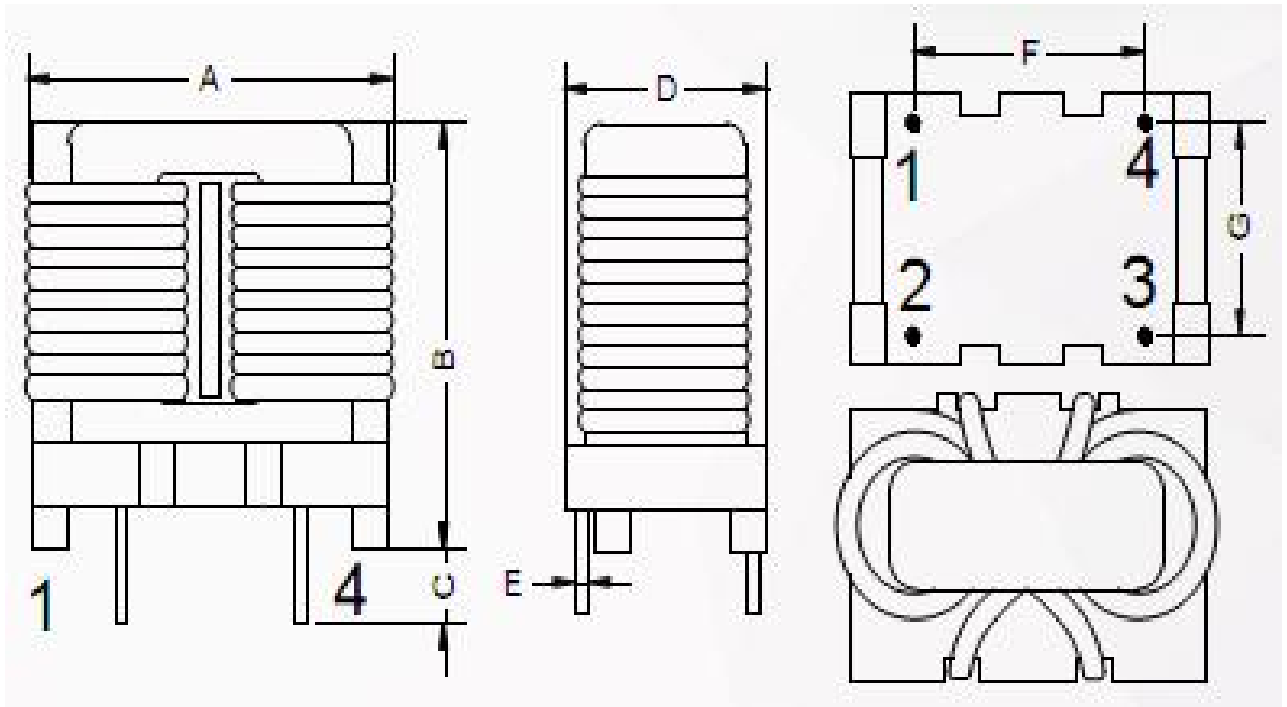
DESCRIPTION _____

SQ1515-10mH 立式 8x10 脚距

OUR DRAWING NO _____

XRSQ1515-10mH-V-810

1. APPEARANCE & DIMENSION (UNIT: mm):



A	B	C	D	E	F	G
22MAX	21MAX	3.5REF	12.5MAX	0.7±0.1	10±0.5	8±0.5

NOTE:

1. 产品共模绕制。
2. 产品需含浸凡立水固定。
3. 焊点不可高于底座支点。

Page3/7

PPROVED BY	CHECKED BY	PREPARED BY	UNIT	mm
李振雄	唐文	谢诗珍	DATE	2024/07/19
			REV NO.	A

东莞市祥如电子有限公司

SPECIFICATION FOR APPROVAL

CUSTOMER _____

CUSTOMER 'S PART NO _____

DESCRIPTION _____

SQ1515-10mH 立式 8x10 脚距

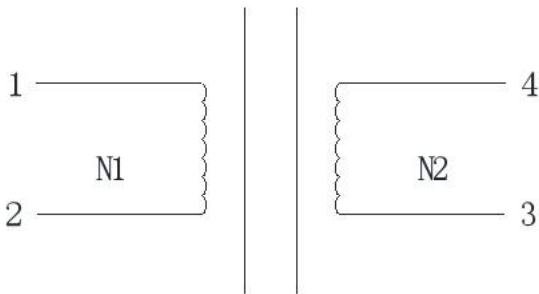
VER _____

A

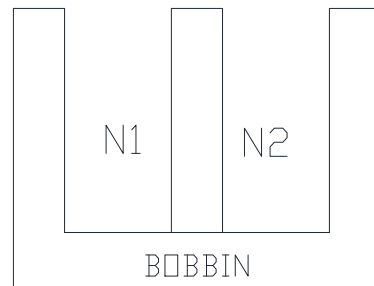
OUR DRAWING NO _____

XRSQ1515-10mH-V-810

2. SCHEMATIC:



3. WINDING SEQUENCE:



4. WINDING TABLE

ORDER	WIRE SIZE	START	END	TURNS	LAYER	INSULATION	
N1	0.20t×1.0mm UEWH 扁平线	1	2	40TS (REF)	CLOSE		
N2	0.20t×1.0mm UEWH 扁平线	4	3	40TS (REF)	CLOSE		

PPROVED BY	CHECKED BY	PREPARED BY	UNIT	mm
李振雄	唐文	谢诗珍	DATE	2024/07/19
			REV NO.	A



东莞市祥如电子有限公司

SPECIFICATION FOR APPROVAL

CUSTOMER _____

CUSTOMER 'S PART NO _____

VER _____

A

DESCRIPTION _____

SQ1515-10mH 立式 8x10 脚距

OUR DRAWING NO _____

XRSQ1515-10mH-V-810

5. ELECTRICAL CHARACTERISTICS:

TEST CONDITION:		TEMPERATURE AT: 25°C ± 5°C WORKING TEMPERATURE: -25°C/+125°C STORAGE TEMPERATURE: -25°C/+40°C HUMIDITY: AT45-80% RH	
TEST INSTRUMENT	CHENHWA/1062	CHENHWA/1062	CHENHWA/502A
ITEM	INDUCTANCE 1KHz, 0.25Vrms 25°	DIFFERENCE INDUCTANCE 1KHz, 0.25V	DC. RESISTANCE AT 25°C
TERMINAL			
1-2	10mH MIN	0.3mH Max	150m Ω MAX
3-4	10mH MIN	0.3mH Max	150m Ω MAX
TEST INSTRUMENT	E-SUN 19053	E-SUN/19053	
ITEM	HI-POT TEST AC50/60Hz, 5mA, 3sec	INSULATION RESISTANCE. DC 500V	
TERMINAL			
COIL-COIL	1500V	100M Ω MIN	
COIL-CORE	1000V	100M Ω MIN	
Idc		2.5A	

Page 5/7

APPROVED BY	CHECKED BY	PREPARED BY	UNIT	mm
李振雄	唐文	谢诗珍	DATE	2024/07/19
			REV NO.	A



东莞市祥如电子有限公司

SPECIFICATION FOR APPROVAL

CUSTOMER _____

CUSTOMER 'S PART NO _____

VER _____

A

DESCRIPTION _____

SQ1515-10mH 立式 8x10 脚距

OUR DRAWING NO _____

XRSQ1515-10mH-V-810

6. MATERIAL LIST:

No	ITEM	MATERIAL	CLASS	UL NO.	MANUFACTURER	OPT.
1	CORE	SQ1515 12K			ACMEElectronics (Guangzhou) Co;Ltd	√
		SQ1515 12K			SHANGDONG hengrui magnet technology CO.,LTD	√
		SQ1515 12K			DongGuan City JiuXin Magnetic Material Co.,Ltd	√
		SQ1515 12K			TengZhou MingJi Magnetism Industry Co., Ltd.	√
2	BOBBIN	T375HF	150°C	E59481	CHANG CHUN PLASTICS CO LTD	√
3	WIRE	@* FIWx180	180°C	E234867	SUNTEK HOLDINGS LIMITED	√
		@* UEW180	180°C	E504985	Guangdong Lizewire Electric Technology Co Ltd	√
4	VARNISH	E962	130°C	E335405	ZHUHAI CHANGXIAN NEW MATERIALS TECHNOLOGY CO LTD	√
5	锡	无铅锡条 /Sn99.9			Dongguan City Thousand Island METAL Foil CO LTD	√

Page6/7

PPROVED BY	CHECKED BY	PREPARED BY	UNIT	mm
李振雄	唐文	谢诗珍	DATE	2024/07/19
			REV NO.	A



东莞市祥如电子有限公司

SPECIFICATION FOR APPROVAL

CUSTOMER _____
 CUSTOMER 'S PART NO _____
 DESCRIPTION SQ1515-10mH 立式 8x10 脚距

VER _____ A
 OUR DRAWING NO _____ XRSQ1515-10mH-V-810

7. THE INSPECTION REPORT

ITEM	TEXT SPEC.	1	2	3	4	5
L 值(1-2)	10mH MIN 1KHZ 0.25V 25°	15.26	15.37	16.52	17.35	17.91
L 值(3-4)	10mH MIN 1KHZ 0.25V 25°	15.26	15.37	16.52	17.35	17.91
DCR 值(1-2)	150mΩ MAX AT 25℃	OK	OK	OK	OK	OK
DCR 值(3-4)	150mΩ MAX AT 25℃	OK	OK	OK	OK	OK
HI-POT AC50/60Hz 5mA 3sec	COIL-COIL:1500V	OK	OK	OK	OK	OK
	COLI-CORE:1000V	OK	OK	OK	OK	OK

TEST EQUIPMENT	
INDUCTANCE	DC. R
CH-3250: ()	E-SUN-19053 (√) CH-502BC (√)
CH-1062: (√)	
CH-101: ()	

PPROVED BY	CHECKED BY	PREPARED BY	UNIT	mm
李振雄	唐 文	谢诗珍	DATE	2024/07/19
			REV NO.	A

单击下面可查看定价，库存，交付和生命周期等信息

[>>XR\(祥如\)](#)