



# 产品承认书 SPECIFICATION FOR APPROVAL

客户名称:  
CUSTOMER

我司料号:  
OUR PART NO.

XRSQ1918-15mH-V-1013

我司品名:  
OUR PART NAME

SQ扁平线电感

送样日期:  
DATE SAMPLES

数量: 0PCS  
QUANTITY

## 制造确认 MANUFACTURER APPROVE

| 拟制 DRAWN | 审核 CHECKED | 确认 APPROVED |
|----------|------------|-------------|
|          |            |             |

## 客户确认 CUSTOMER APPROVE

客户名称 CUSTOMER NAME:

客户料号 CUSTOMER P/N:

规格型号 DESCRIPTION: SQ1918 立式 15mH 10\*13 脚距 0.2t\*1.5线

检查结果:  合格  不合格

签名及盖章:

INSPECT RESULT ACCEPT REJECT

SIGNATURE AND STAMP

说明 REMARK:

如对本承认书内容有异议请提出或标记发送至我司, 本承认书在未收到异议回复时于本承认书提供一周后生效。

东莞市祥如电子有限公司

地址: 广东省东莞市塘厦镇莲湖第一工业区南二横路36号B栋

电话: 0769-86346548 传真: 0769-86346358

邮箱: dgxiangru@126.com



# 东莞市祥如电子有限公司

## SPECIFICATION FOR APPROVAL

CUSTOMER \_\_\_\_\_  
CUSTOMER 'S PART NO \_\_\_\_\_ VER \_\_\_\_\_ A  
DESCRIPTION SQ1918-15mH 立式 10x13 脚距 OUR DRAWING NO XRSQ1918-15mH-V-1013

### A REVISION HISTORY

| DATE OF    | REVISED PROJECT | EDITION | NOTE |
|------------|-----------------|---------|------|
| 2019/07/22 | NEEW VERSION    | A       |      |
| 2024/07/19 | REVISION        |         |      |
|            |                 |         |      |
|            |                 |         |      |
|            |                 |         |      |

Page2/7

| PPROVED BY | CHECKED BY | PREPARED BY | UNIT    | mm         |
|------------|------------|-------------|---------|------------|
| 李振雄        | 唐文         | 谢诗珍         | DATE    | 2024/07/19 |
|            |            |             | REV NO. | A          |

# 东莞市祥如电子有限公司

## SPECIFICATION FOR APPROVAL

CUSTOMER \_\_\_\_\_

CUSTOMER 'S PART NO \_\_\_\_\_

VER \_\_\_\_\_

A

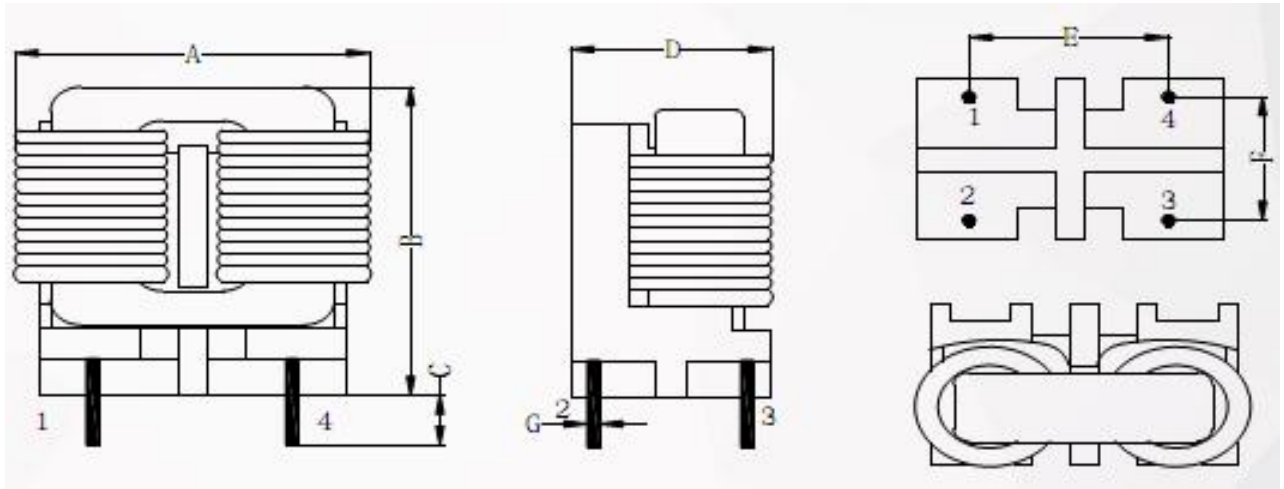
DESCRIPTION \_\_\_\_\_

SQ1918-15mH 立式 10x13 脚距

OUR DRAWING NO \_\_\_\_\_

XRSQ1918-15mH-V-1013

### 1. APPEARANCE & DIMENSION (UNIT: mm):



| A     | B       | C       | D     | E      | F      | G       | H |
|-------|---------|---------|-------|--------|--------|---------|---|
| 24MAX | 26.5MAX | 3.5±0.5 | 15MAX | 13±0.5 | 10±0.5 | 0.6±0.1 |   |

#### NOTE:

1. 产品共模绕制。
2. 产品需含浸凡立水固定。
3. 焊点不可高于底座支点。

Page3/7

| PPROVED BY | CHECKED BY | PREPARED BY | UNIT    | mm         |
|------------|------------|-------------|---------|------------|
| 李振雄        | 唐文         | 谢诗珍         | DATE    | 2024/07/19 |
|            |            |             | REV NO. | A          |

# 东莞市祥如电子有限公司

## SPECIFICATION FOR APPROVAL

CUSTOMER \_\_\_\_\_

CUSTOMER 'S PART NO \_\_\_\_\_

DESCRIPTION \_\_\_\_\_

SQ1918-15mH 立式 10x13 脚距

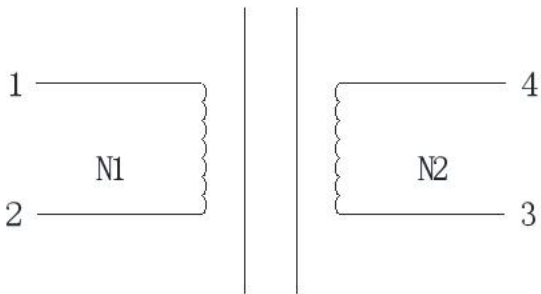
VER \_\_\_\_\_

A

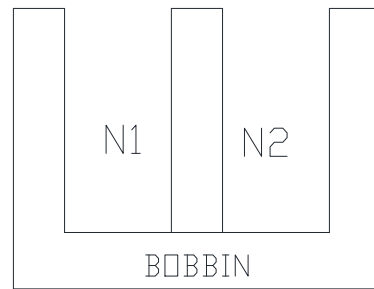
OUR DRAWING NO \_\_\_\_\_

XRSQ1918-15mH-V-1013

2. SCHEMATIC:



3. WINDING SEQUENCE:



4. WINDING TABLE

| ORDER | WIRE SIZE           | START | END | TURNS      | LAYER | INSULATION |  |
|-------|---------------------|-------|-----|------------|-------|------------|--|
| N1    | 0.2t×1.5mm UEWH 扁平线 | 1     | 2   | 63TS (REF) | CLOSE |            |  |
| N2    | 0.2t×1.5mm UEWH 扁平线 | 4     | 3   | 63TS (REF) | CLOSE |            |  |
|       |                     |       |     |            |       |            |  |
|       |                     |       |     |            |       |            |  |
|       |                     |       |     |            |       |            |  |
|       |                     |       |     |            |       |            |  |
|       |                     |       |     |            |       |            |  |
|       |                     |       |     |            |       |            |  |

| PPROVED BY | CHECKED BY | PREPARED BY | UNIT    | mm         |
|------------|------------|-------------|---------|------------|
| 李振雄        | 唐文         | 谢诗珍         | DATE    | 2024/07/19 |
|            |            |             | REV NO. | A          |



# 东莞市祥如电子有限公司

## SPECIFICATION FOR APPROVAL

CUSTOMER \_\_\_\_\_

CUSTOMER 'S PART NO \_\_\_\_\_

VER \_\_\_\_\_

A

DESCRIPTION SQ1918-15mH 立式 10x13 脚距

OUR DRAWING NO \_\_\_\_\_

XRSQ1918-15mH-V-1013

### 5. ELECTRICAL CHARACTERISTICS:

|                 |  |  |                           |
|-----------------|--|--|---------------------------|
| TEST CONDITION: |  | TEMPERATURE AT: 25°C ± 5°C<br>WORKING TEMPERATURE: -25°C/+125°C<br>STORAGE TEMPERATURE: -25°C/+40°C<br>HUMIDITY: AT45-80% RH |                           |
| TEST INSTRUMENT | CHENHWA/1062                           | CHENHWA/1062   | CHENHWA/502A              |
| ITEM            | INDUCTANCE<br>1KHz, 0.25Vrms 25°       | DIFFERENCE<br>INDUCTANCE<br>1KHz, 0.25V  | DC. RESISTANCE<br>AT 25°C |
| TERMINAL        |  |  |                           |
| 1-2             | 15mH MIN                               | 0.3mH Max  | 210m Ω MAX                |
| 3-4             | 15mH MIN                               | 0.3mH Max  | 210m Ω MAX                |
|                 |  |  |                           |
|                 |  |  |                           |
|                 |  |  |                           |
|                 |  |  |                           |
|                 |  |  |                           |
|                 |  |  |                           |
|                 |  |  |                           |
| TEST INSTRUMENT | E-SUN 19053                            | E-SUN/19053  |                           |
| ITEM            | HI-POT TEST<br>AC50/60Hz, 5mA,<br>3sec | INSULATION<br>RESISTANCE. DC 500V  |                           |
| TERMINAL        |  |  |                           |
| COIL-COIL       | 1500V                                  | 100M Ω MIN   |                           |
| COIL-CORE       | 1000V                                  | 100M Ω MIN   |                           |
|                 |  |  |                           |
| Idc             |  | 1.8A   |                           |

Page 5/7

|             |            |             |         |            |
|-------------|------------|-------------|---------|------------|
| APPROVED BY | CHECKED BY | PREPARED BY | UNIT    | mm         |
| 李振雄         | 唐文         | 谢诗珍         | DATE    | 2024/07/19 |
|             |            |             | REV NO. | A          |



# 东莞市祥如电子有限公司

## SPECIFICATION FOR APPROVAL

CUSTOMER \_\_\_\_\_

CUSTOMER 'S PART NO \_\_\_\_\_

VER \_\_\_\_\_

A

DESCRIPTION \_\_\_\_\_

SQ1918-15mH 立式 10x13 脚距

OUR DRAWING NO \_\_\_\_\_

XRSQ1918-15mH-V-1013

### 6. MATERIAL LIST:

| No | ITEM    | MATERIAL     | CLASS | UL NO.  | MANUFACTURER                                     | OPT. |
|----|---------|--------------|-------|---------|--|------|
| 1  | CORE    | SQ1918 12K   |       |         | ACMEElectronics (Guangzhou) Co;Ltd               | √    |
|    |         | SQ1918 12K   |       |         | SHANGDONG hengrui magnet technology CO.,LTD      | √    |
|    |         | SQ1918 12K   |       |         | DongGuan City JiuXin Magnetic Material Co.,Ltd   | √    |
|    |         | SQ1918 12K   |       |         | TengZhou MingJi Magnetism Industry Co., Ltd.     | √    |
| 2  | BOBBIN  | T375HF       | 150°C | E59481  | CHANG CHUN PLASTICS CO LTD                       | √    |
| 3  | WIRE    | @* FIWx180   | 180°C | E234867 | SUNTEK HOLDINGS LIMITED                          | √    |
|    |         | @* UEW180    | 180°C | E504985 | Guangdong Lizewire Electric Technology Co Ltd    | √    |
| 4  | VARNISH | E962         | 130°C | E335405 | ZHUHAI CHANGXIAN NEW MATERIALS TECHNOLOGY CO LTD | √    |
| 5  | 锡       | 无铅锡条 /Sn99.9 |       |         | Dongguan City Thousand Island METAL Foil CO LTD  | √    |
|    |         |              |       |         |  |      |

Page6/7

| PPROVED BY | CHECKED BY | PREPARED BY | UNIT    | mm         |
|------------|------------|-------------|---------|------------|
| 李振雄        | 唐文         | 谢诗珍         | DATE    | 2024/07/19 |
|            |            |             | REV NO. | A          |



# 东莞市祥如电子有限公司

## SPECIFICATION FOR APPROVAL

CUSTOMER \_\_\_\_\_

CUSTOMER 'S PART NO \_\_\_\_\_

VER \_\_\_\_\_

A

DESCRIPTION \_\_\_\_\_

SQ1918-15mH 立式 10x13 脚距

OUR DRAWING NO \_\_\_\_\_

XRSQ1918-15mH-V-1013

### 7. THE INSPECTION REPORT

| ITEM                            | TEXT SPEC.              | 1     | 2     | 3     | 4     | 5     |
|---------------------------------|-------------------------|-------|-------|-------|-------|-------|
| L 值(1-2)                        | 15mH MIN 1KHZ 0.25V 25° | 22.76 | 22.89 | 24.57 | 25.67 | 25.86 |
| L 值(3-4)                        | 15mH MIN 1KHZ 0.25V 25° | 22.76 | 22.89 | 24.57 | 25.67 | 25.86 |
|                                 |                         |       |       |       |       |       |
|                                 |                         |       |       |       |       |       |
|                                 |                         |       |       |       |       |       |
| DCR 值(1-2)                      | 210mΩ MAX AT 25°C       | OK    | OK    | OK    | OK    | OK    |
| DCR 值(3-4)                      | 210mΩ MAX AT 25°C       | OK    | OK    | OK    | OK    | OK    |
|                                 |                         |       |       |       |       |       |
|                                 |                         |       |       |       |       |       |
|                                 |                         |       |       |       |       |       |
|                                 |                         |       |       |       |       |       |
| HI-POT<br>AC50/60Hz<br>5mA 3sec | COIL-COIL:1500V         | OK    | OK    | OK    | OK    | OK    |
|                                 | COLI-CORE:1000V         | OK    | OK    | OK    | OK    | OK    |

### TEST EQUIPMENT

| INDUCTANCE     | HI-POT            | DC. R          |
|----------------|-------------------|----------------|
| CH-3250: ( )   | E-SUN-19053 ( √ ) | CH-502BC ( √ ) |
| CH-1062: ( √ ) |                   |                |
| CH-101: ( )    |                   |                |

Page7/7

| PPROVED BY | CHECKED BY | PREPARED BY | UNIT    | mm         |
|------------|------------|-------------|---------|------------|
| 李振雄        | 唐文         | 谢诗珍         | DATE    | 2024/07/19 |
|            |            |             | REV NO. | A          |

单击下面可查看定价，库存，交付和生命周期等信息

[>>XR\(祥如\)](#)