

## ■ Features

- Ultra low profile.
- Magnetic shielded for low radiation.
- Bobbin ferrite core and compact size.
- Low core loss for high frequency power application.
- Large terminal surface for good PCB bonding.
- Operating temperature:  $-40^{\circ}\text{C} \sim +125^{\circ}\text{C}$ .

## ■ Applications

- Portable communication equipment.
- Notebook PC, digital camera, LCD television set.
- Power supply for VTR, OA equipment.
- DC/DC converters.

## ■ Product Identification

$\frac{\text{XRRH}}{(1)} \quad \frac{\square\square\square\square}{(2)} - \frac{\square\square\square}{(3)} \quad \frac{\text{M}}{(4)}$

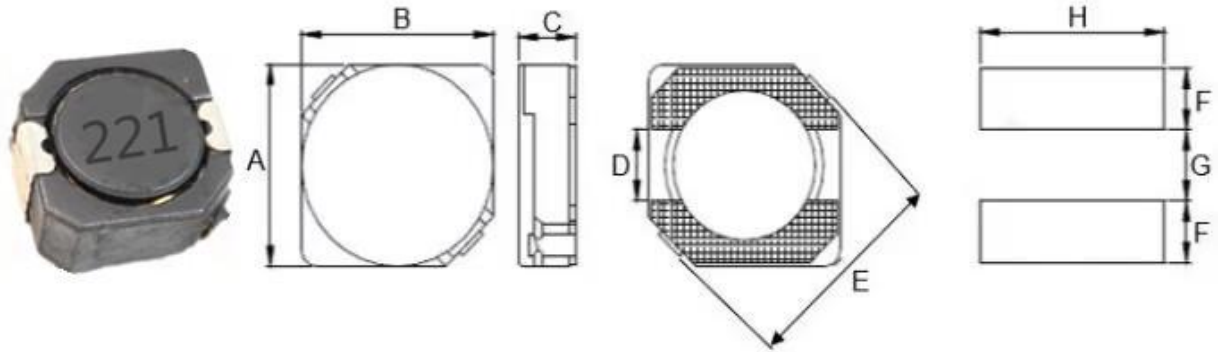
(1) : Type

(2) : Dimensions

(3) : Inductance value

(4) : Inductance Tolerance; M= $\pm 20\%$

### ■ Shapes and Dimensions (Unit: mm)



TYPE	A	B	C max.	D	E	F Ref.	G Ref.	H Ref.
XRRH5D28	5.7±0.3	5.7±0.3	3.0	2.00	8.2	2.15	2.0	6.3

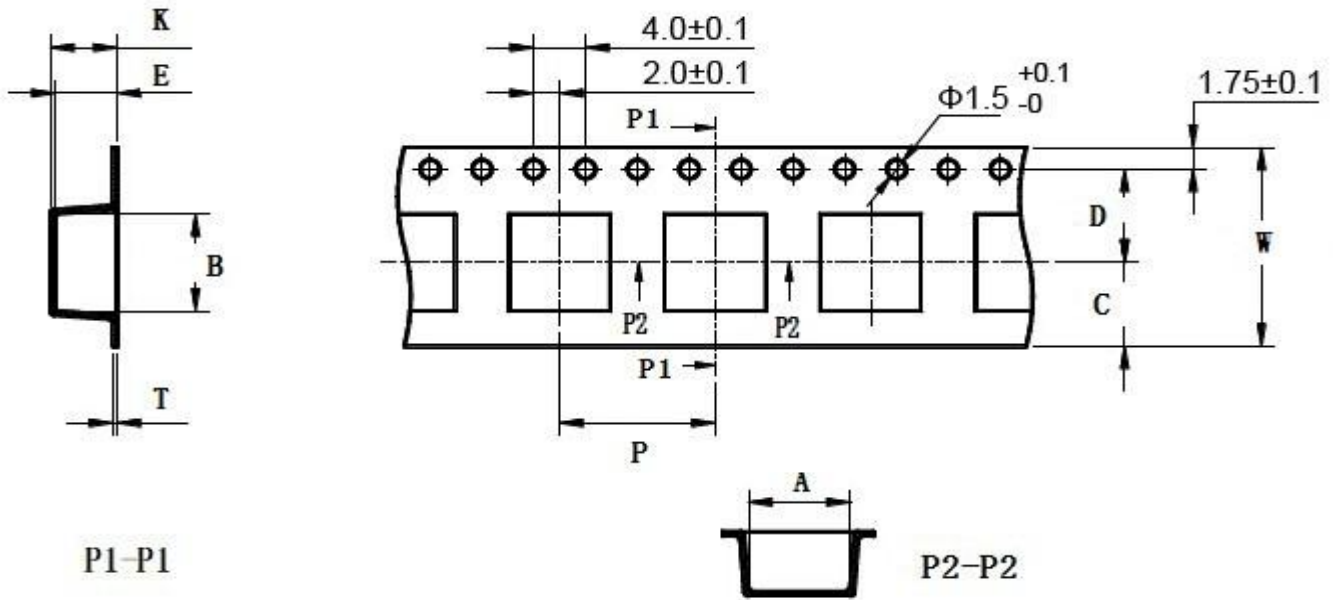
### ■ XRRH5D28 Series

Part Number	Inductance (uH)	Test Freq.(KHz)	DCR MAX.(Ω)	Rated Current (A)
XRRH5D28-1R0M	1.0	100	0.015	2.80
XRRH5D28-1R2M	1.2	100	0.018	2.70
XRRH5D28-2R2M	2.2	100	0.023	2.60
XRRH5D28-3R3M	3.3	100	0.029	2.40
XRRH5D28-4R7M	4.7	100	0.036	2.10
XRRH5D28-5R6M	5.6	100	0.038	1.90
XRRH5D28-6R8M	6.8	100	0.048	1.80
XRRH5D28-8R2M	8.2	100	0.053	1.60
XRRH5D28-100M	10.0	100	0.065	1.30
XRRH5D28-120M	12.0	100	0.076	1.20
XRRH5D28-150M	15.0	100	0.103	1.10
XRRH5D28-180M	18.0	100	0.110	1.00
XRRH5D28-220M	22.0	100	0.122	0.90
XRRH5D28-270M	27.0	100	0.175	0.85
XRRH5D28-330M	33.0	100	0.189	0.75

Part Number	Inductance (uH)	Test Freq.(KHz)	DCR MAX.(Ω)	Rated Current (A)
XRRH5D28-390M	39.0	100	0.212	0.70
XRRH5D28-470M	47.0	100	0.260	0.62
XRRH5D28-560M	56.0	100	0.305	0.58
XRRH5D28-680M	68.0	100	0.355	0.52
XRRH5D28-820M	82.0	100	0.463	0.46
XRRH5D28-101M	100	100	0.520	0.42
XRRH5D28-121M	120	100	0.560	0.40
XRRH5D28-151M	150	100	0.680	0.35
XRRH5D28-181M	180	100	0.930	0.32
XRRH5D28-221M	220	100	1.150	0.30
XRRH5D28-271M	270	100	1.560	0.27
XRRH5D28-331M	330	100	1.980	0.25

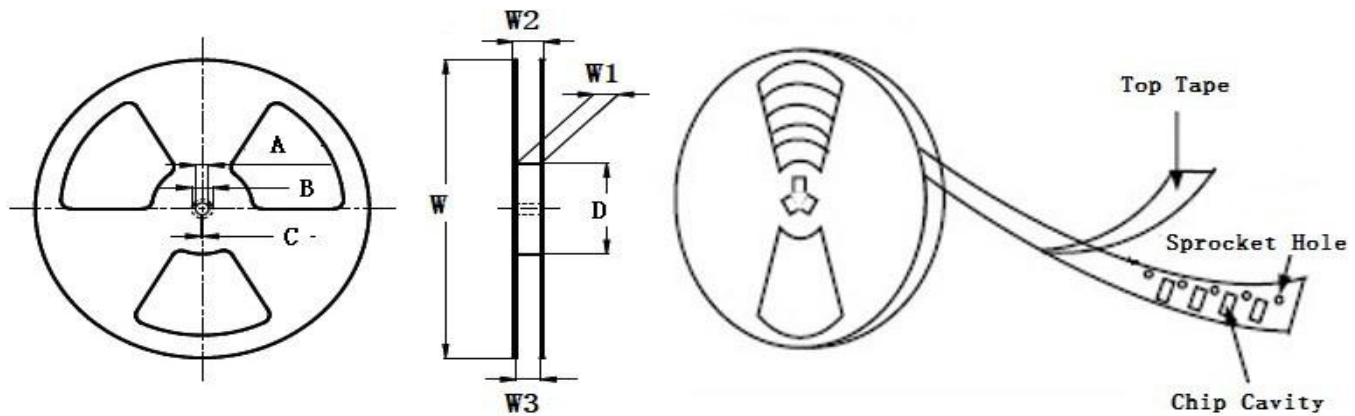
- ※ The saturation current value is the DC current value having inductance decrease down to 30%.(at 20℃)
- ※ The temperature rise current value is the DC current value having temperature increase up to 40℃. (at 20℃)
- ※ The rated current is the DC current value that satisfies both of current value saturation current value and temperature rise current value.

## ■ Taping Dimensions(Unit:mm)



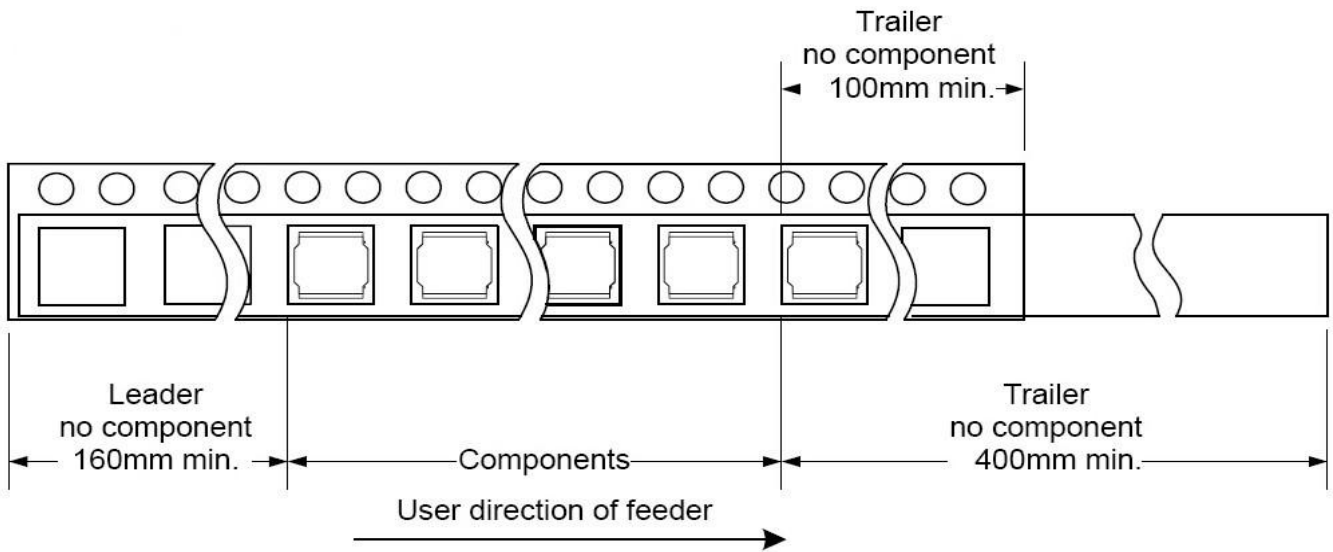
TYPE	W	A	B	C	D	E	P	K Ref	T	MPQ
XRRH5D28	16±0.3	6.20±0.1	6.20±0.1	6.75	7.5±0.1	2.80±0.1	12±0.1	3.00	0.30±0.05	2000

## ■ Reel Dimensions(Unit:mm)

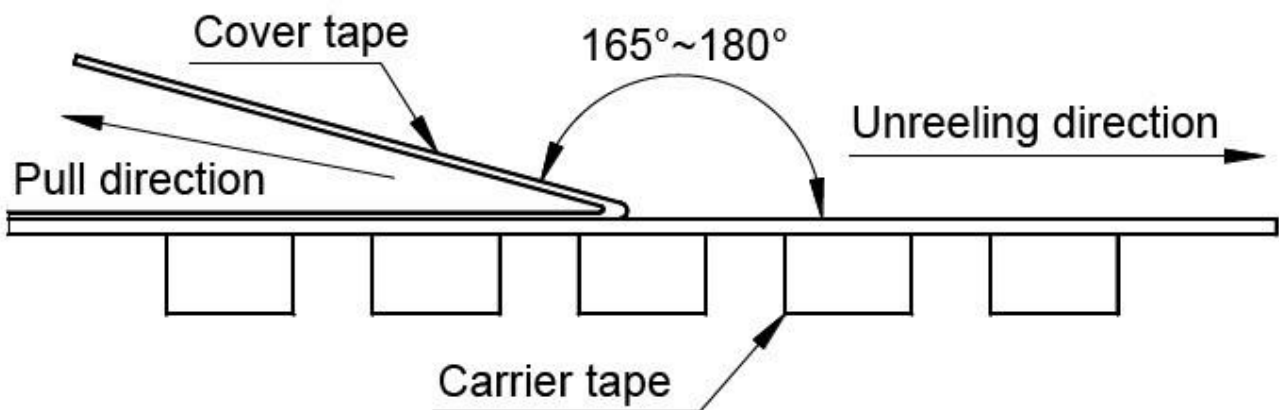


TYPE	W	W1	W2	W3	A	B	C	D
XRRH5D28	330±2.0	16.4±2.0	22.4 Max	15.9 Min	13.0±0.50	21.0±0.80	2.0±0.50	100 Min

## Direction of rolling



## Cover tape peel off condition



Cover tape peel force shall be 0.1N to 1.3N.

Reference peel speed  $300 \pm 10$  mm/min.

单击下面可查看定价，库存，交付和生命周期等信息

[>>XR\(祥如\)](#)