

XRRH103R Series Power Inductors

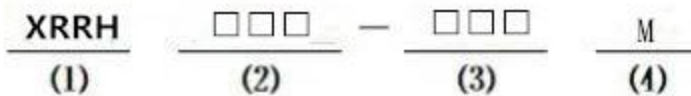
■ Features

- Ultra low profile.
- Magnetic shielded for low radiation.
- Bobbin ferrite core and compact size.
- Low core loss for high frequency power application.
- Large terminal surface for good PCB bonding.
- Operating temperature: -40°C ~ +125°C.

■ Applications

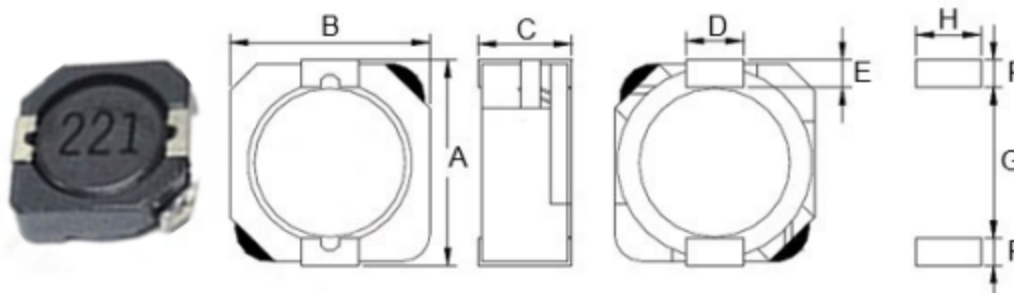
- Portable communication equipment.
- Notebook PC, digital camera, LCD television set.
- Power supply for VTR, OA equipment.
- DC/DC converters.

■ Product Identification



- (1) : Type
- (2) : Dimensions
- (3) : Inductance value
- (4) : Inductance Tolerance; M=±20%

■ Shapes and Dimensions (Unit: mm)



TYPE	A	B	C	D	E	F Ref.	G Ref.	H Ref.
XRRH103R	10.1±0.3	10.1±0.3	2.8±0.3	3.0	1.2	1.6	7.3	3.2

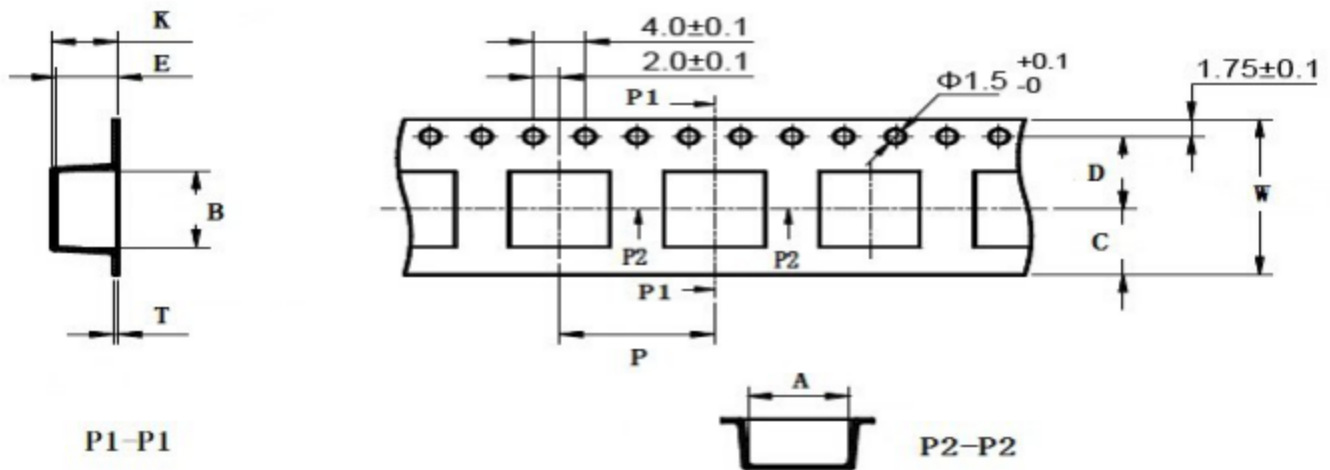
■ XRRH103R Series

Part Number	Inductance (uH)	Test Freq. (KHz)	DCR MAX. (Ω)	Saturation Current (A)	Heat Rating Current (A)
XRRH103R-1R5M	1.50	100	0.006	11.2	8.30
XRRH103R-2R2M	2.20	100	0.011	8.0	5.80
XRRH103R-3R3M	3.30	100	0.017	6.7	5.10
XRRH103R-4R7M	4.70	100	0.021	5.56	4.70
XRRH103R-6R8M	6.80	100	0.030	4.65	4.00
XRRH103R-8R2M	8.20	100	0.035	3.84	3.60
XRRH103R-100M	10.0	100	0.050	3.54	3.00
XRRH103R-150M	15.0	100	0.059	3.18	2.80
XRRH103R-220M	22.0	100	0.091	2.60	2.05
XRRH103R-330M	33.0	100	0.143	2.16	1.60
XRRH103R-470M	47.0	100	0.202	1.74	1.35
XRRH103R-560M	56.0	100	0.299	1.43	1.20
XRRH103R-680M	68.0	100	0.325	1.36	1.15
XRRH103R-820M	82.0	100	0.429	1.22	0.95
XRRH103R-101M	100	100	0.494	1.14	0.80
XRRH103R-121M	120	100	0.683	1.02	0.70
XRRH103R-151M	150	100	0.754	0.89	0.65

XRRH103R Series-Power Inductors

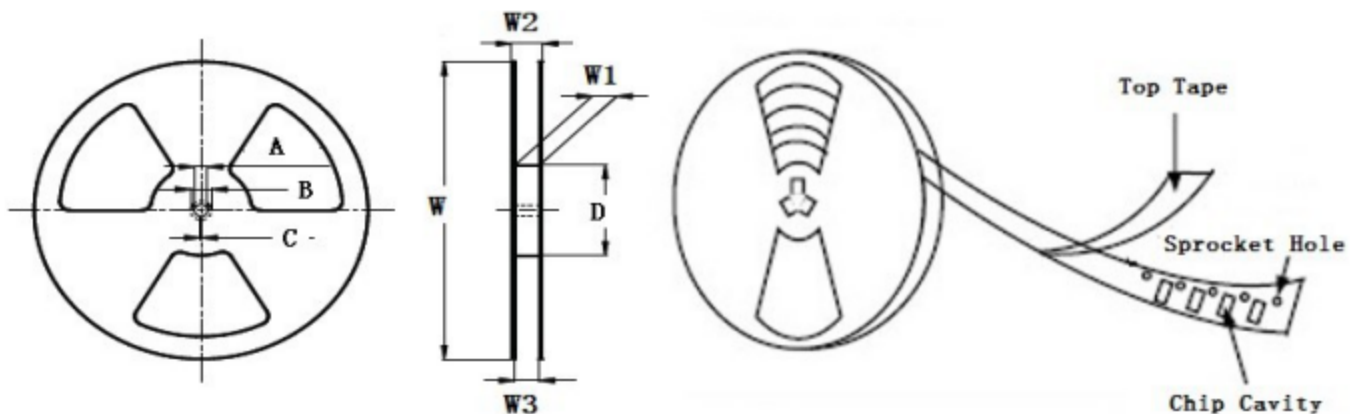
- ※ The saturation current value is the DC current value having inductance decrease down to 30%.(at 20°C)
- ※ The temperature rise current value is the DC current value having temperature increase up to 40°C. (at 20°C)
- ※ The rated current is the DC current value that satisfies both of current value saturation current value and temperature rise current value.

■ Taping Dimensions(Unit:mm)



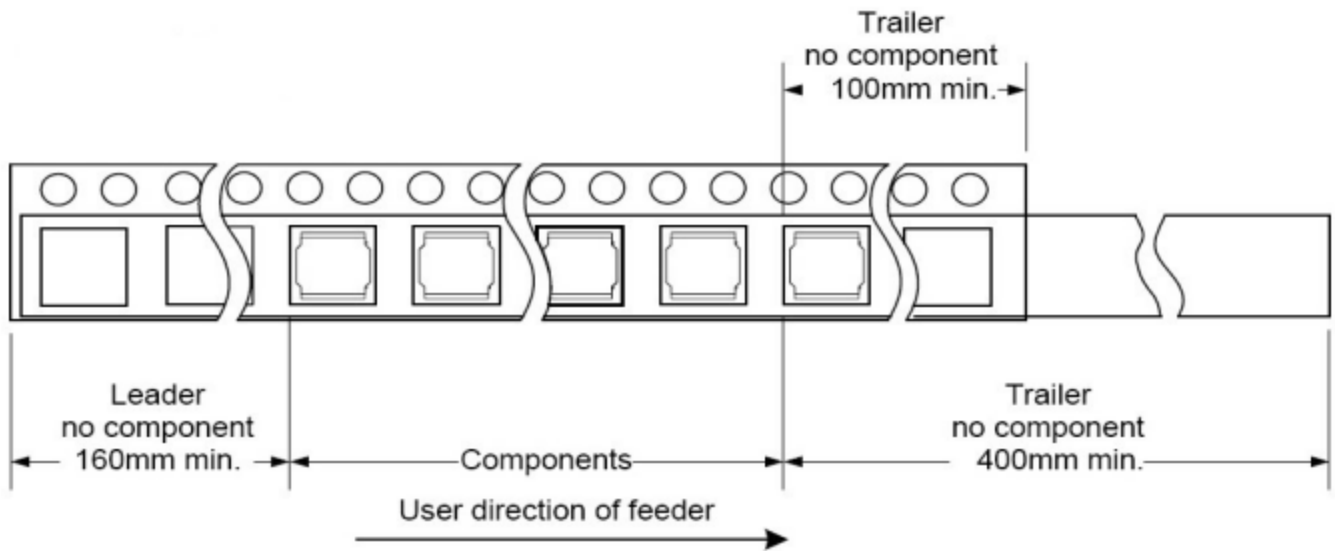
TYPE	W	A	B	C	D	E	P	K Ref	T	MPQ
XRRH103R	24±0.3	10.55±0.1	10.55±0.1	10.75	11.5±0.1	4.2±0.1	16±0.1	3.4	0.5±0.05	1000

■ Reel Dimensions(Unit:mm)

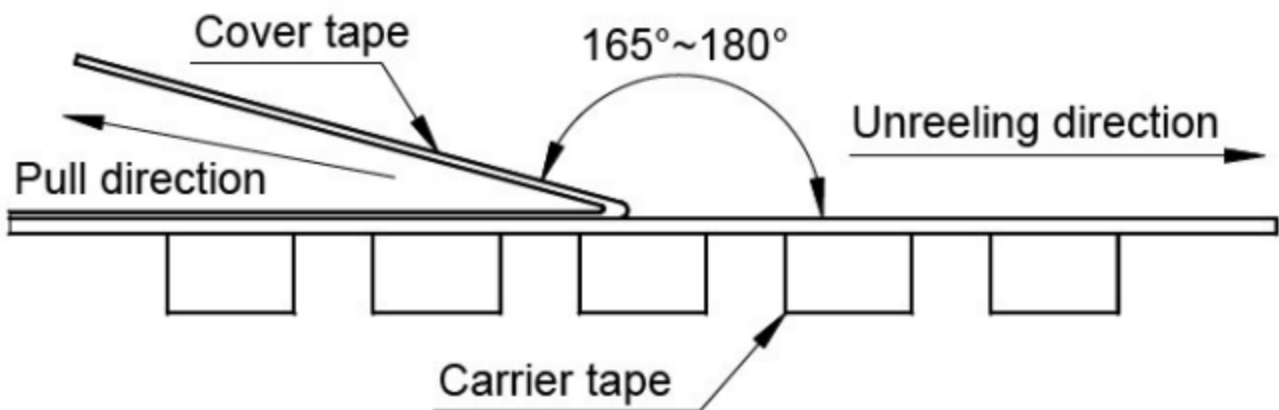


TYPE	W	W1	W2	W3	A	B	C	D
XRRH103R	330±2.0	24.4±1.50	30.4MAX	23.9Min	13.0±0.50	21.0±0.80	2.0±0.50	100 Min

Direction of rolling



Cover tape peel off condition



Cover tape peel force shall be 0.1N to 1.3N.

Reference peel speed 300 ± 10 mm/min.

单击下面可查看定价，库存，交付和生命周期等信息

[>>XR\(祥如\)](#)