

■ Features

- High current type.
- Ferrite bobbin core and compact size.
- Low core loss for high frequency power application.
- Large terminal surface for good PCB bonding.
- Operating temperature: $-40^{\circ}\text{C} \sim +125^{\circ}\text{C}$.

■ Applications

- Portable communication equipment.
- Notebook PC, digital camera, LCD television set.
- Power supply for VTR, OA equipment.
- DC/DC converters.

■ Product Identification

$\frac{\text{XRRH}}{(1)} \quad \frac{\square\square\square\square}{(2)} - \frac{\square\square\square}{(3)} \quad \frac{\text{M}}{(4)}$

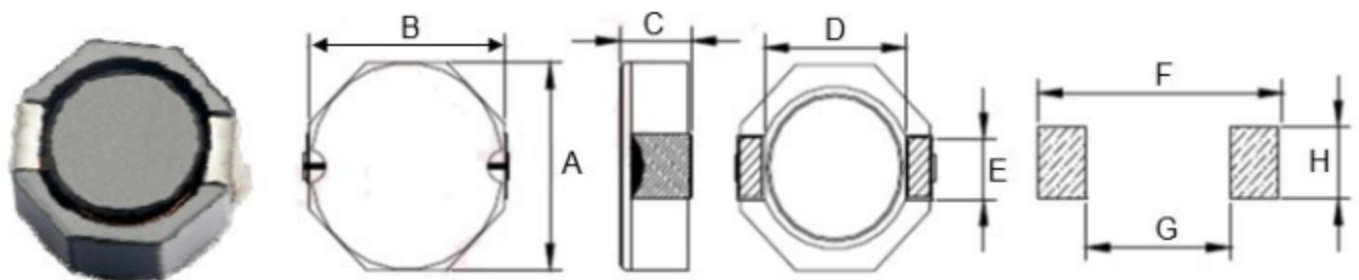
(1) : Type

(2) : Dimensions

(3) : Inductance value

(4) : Inductance Tolerance; M= $\pm 20\%$

■ Shapes and Dimensions (Unit: mm)



TYPE	A	B	C max.	D	E	F Ref.	G Ref.	H Ref.
XRRH8D38	8.0 ± 0.3	8.0 ± 0.3	4.0	6.3	2.5	10.1	6.1	2.8

XRRH8D38 Series-Power Inductors

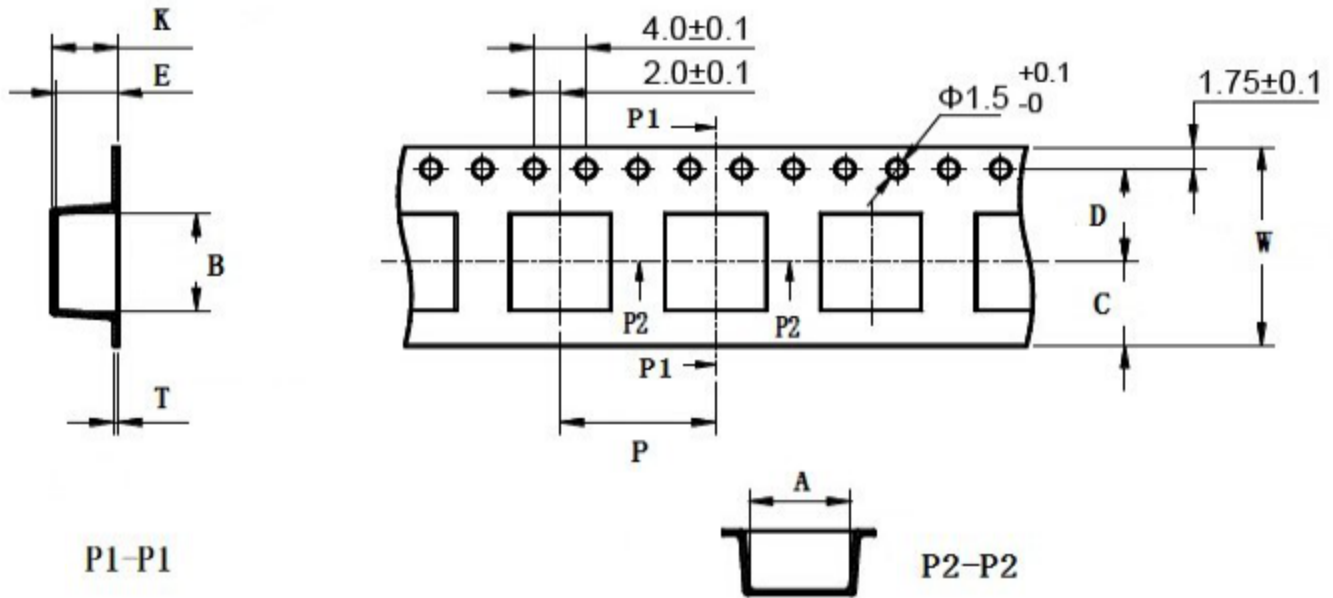
Part Number	Inductance (μ H)	Test Freq. (KHz)	DCR MAX. (Ω)	Saturation Current (A)	Heat Rating Current (A)
XRRH8D38-1R8M	1.8	100	0.016	7.00	6.20
XRRH8D38-2R7M	2.7	100	0.018	6.50	5.50
XRRH8D38-3R9M	3.9	100	0.024	5.00	4.40
XRRH8D38-4R7M	4.7	100	0.029	4.60	4.00
XRRH8D38-6R8M	6.8	100	0.032	4.20	3.50
XRRH8D38-100M	10.0	100	0.048	3.00	2.60
XRRH8D38-150M	15.0	100	0.067	2.75	2.30
XRRH8D38-220M	22.0	100	0.105	2.30	1.88
XRRH8D38-330M	33.0	100	0.157	1.75	1.52
XRRH8D38-470M	47.0	100	0.189	1.52	1.28
XRRH8D38-680M	68.0	100	0.290	1.30	1.10
XRRH8D38-101M	100	100	0.410	1.05	0.88

※ The saturation current value is the DC current value having inductance decrease down to 30%. (at 20°C)

※ The temperature rise current value is the DC current value having temperature increase up to 40°C. (at 20°C)

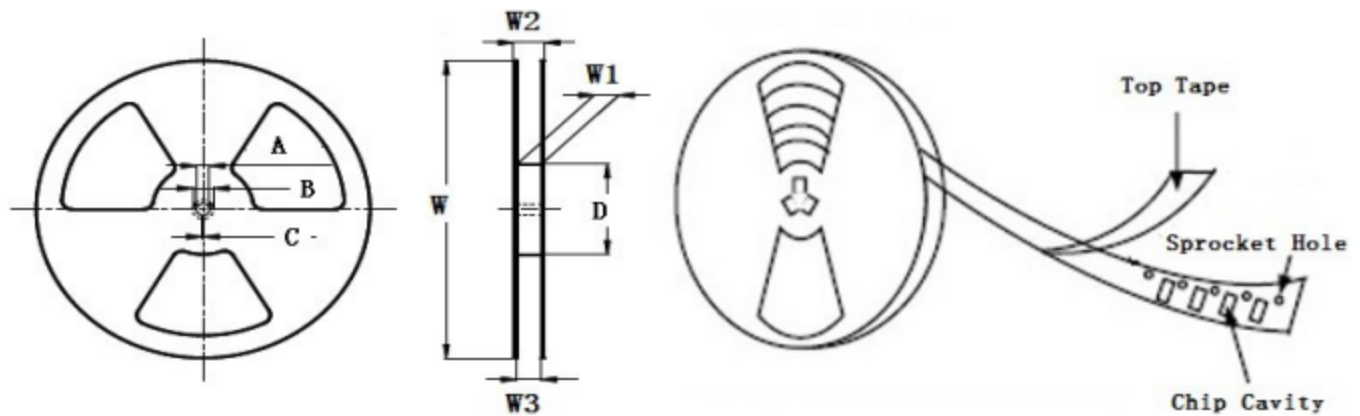
※ The rated current is the DC current value that satisfies both of current value saturation current value and temperature rise current value.

■ Taping Dimensions(Unit:mm)



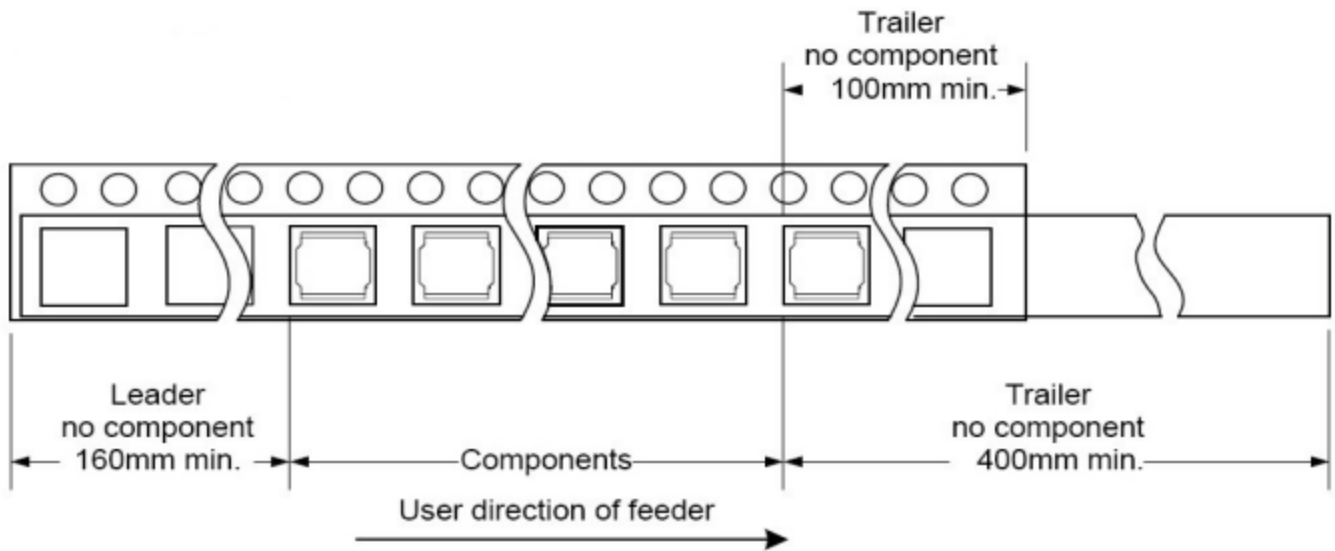
TYPE	W	A	B	C	D	E	P	K Ref	T	MPQ
XRRH8D38	16±0.3	8.15±0.1	9.90±0.1	6.75	7.5±0.1	4.60±0.1	12±0.1	4.3	0.40±0.05	1000

■ Reel Dimensions(Unit:mm)

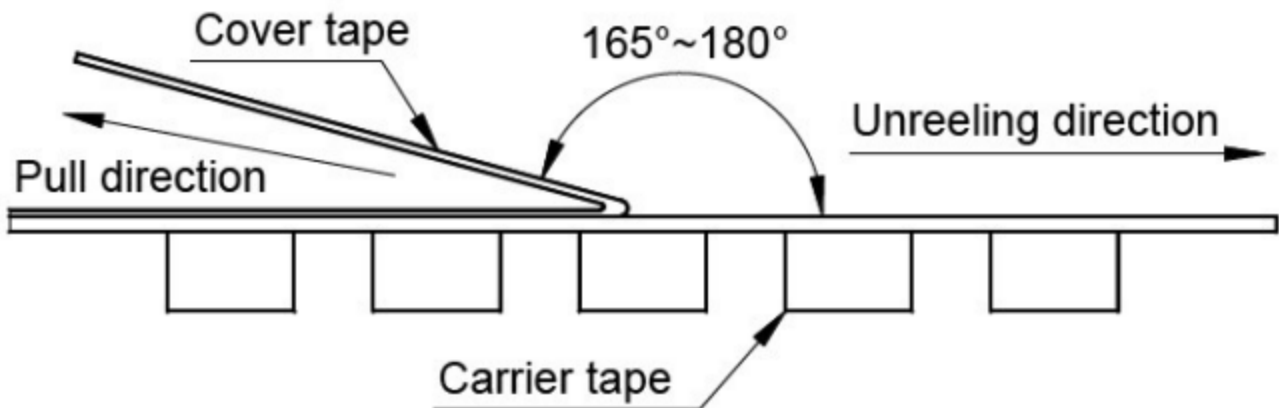


TYPE	W	W1	W2	W3	A	B	C	D
XRRH8D38	330±2.0	16.4±2.0	22.4 Max	15.9 Min	13.0±0.50	21.0±0.80	2.0±0.50	100 Min

Direction of rolling



Cover tape peel off condition



Cover tape peel force shall be 0.1N to 1.3N.

Reference peel speed 300 ± 10 mm/min.

单击下面可查看定价，库存，交付和生命周期等信息

[>>XR\(祥如\)](#)