



产品承认书 SPECIFICATION FOR APPROVAL

客户名称: CUSTOMER _____
我司料号: XRSQ1212-2mH-H-1013
OUR PART NO. _____
我司品名: 扁平线电感
OUR PART NAME _____
送样日期: 数量: 0PCS
DATE SAMPLES _____ QUANTITY _____

| 制造确认 MANUFACTURER APPROVE | | |
|---------------------------|------------|-------------|
| 拟制 DRAWN | 审核 CHECKED | 确认 APPROVED |
| | | |

| 客户确认 CUSTOMER APPROVE | | |
|--|---------------------|--|
| 客户名称 CUSTOMER NAME: | | |
| 客户料号 CUSTOMER P/N: | | |
| 规格型号 DESCRIPTION: SQ1212-2mH 卧式 10*13脚距 | | |
| 检查结果: <input type="checkbox"/> 合格 <input type="checkbox"/> 不合格 | 签名及盖章: | |
| INSPECT RESULT ACCEPT REJECT | SIGNATURE AND STAMP | |
| 说明 REMARK: | | |

如对本承认书内容有异议请提出或标记发送至我司，本承认书在未收到异议回复时于本承认书提供一周后生效。

东莞市祥如电子有限公司

地址: 广东省东莞市塘厦镇莲湖第一工业区南二横路 36号B栋

电话: 0769-86346548 传真: 0769-86346358

邮箱: dgxiangru@126.com



东莞市祥如电子有限公司

SPECIFICATION FOR APPROVAL

CUSTOMER _____
CUSTOMER 'S PART NO _____ VER _____ A
DESCRIPTION SQ1212-2mH 卧式 10*13 脚距 OUR DRAWING NO XRSQ1212-2mH-H-1013

A REVISION HISTORY

| DATE OF | REVISED PROJECT | EDITION | NOTE |
|------------|-----------------|---------|------|
| 2019/07/22 | NEEW VERSION | A | |
| 2024/07/19 | REVISION | | |
| | | | |
| | | | |
| | | | |

| PPROVED BY | CHECKED BY | PREPARED BY | UNIT | mm |
|------------|------------|-------------|---------|------------|
| 李振雄 | 唐文 | 谢诗珍 | DATE | 2024/07/19 |
| | | | REV NO. | A |

东莞市祥如电子有限公司

SPECIFICATION FOR APPROVAL

CUSTOMER _____

CUSTOMER 'S PART NO _____

VER _____

A

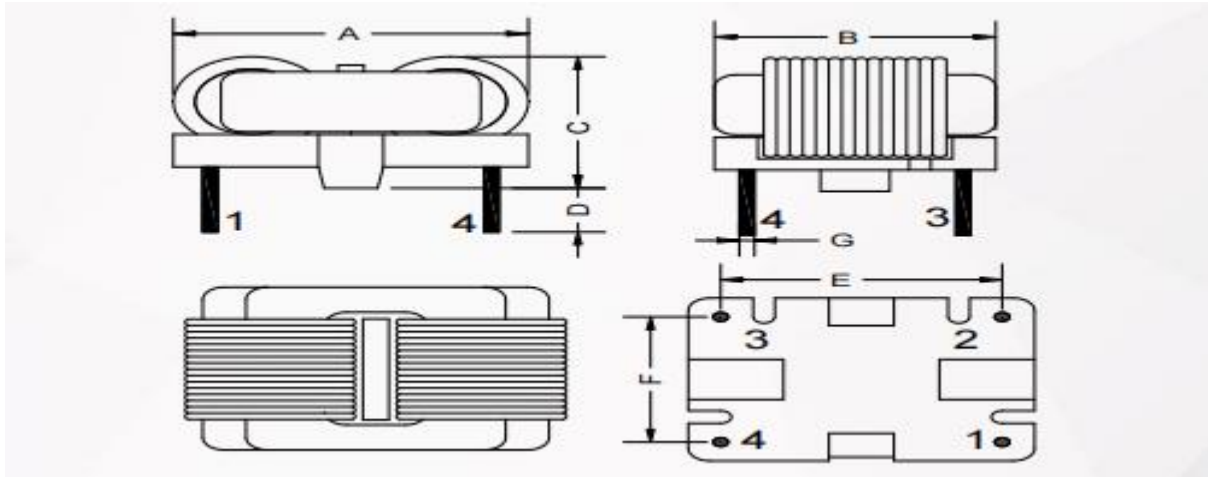
DESCRIPTION _____

SQ1212-2mH 卧式 10*13 脚距

OUR DRAWING NO _____

XRSQ1212-2mH-H-1013

1. APPEARANCE & DIMENSION (UNIT: mm):



| A | B | C | D | E | F | G |
|---------|-------|---------|--------|--------|--------|---------|
| 17.5MAX | 15MAX | 11.5MAX | 3.5REF | 13±0.5 | 10±0.5 | 0.6±0.1 |

NOTE:

1. 产品共模绕制。
2. 产品需含浸凡立水固定。
3. 焊点不可高于底座支点。

Page3/7

| PPROVED BY | CHECKED BY | PREPARED BY | UNIT | mm |
|------------|------------|-------------|---------|------------|
| 李振雄 | 唐文 | 谢诗珍 | DATE | 2024/07/19 |
| | | | REV NO. | A |

东莞市祥如电子有限公司

SPECIFICATION FOR APPROVAL

CUSTOMER _____

CUSTOMER 'S PART NO _____

DESCRIPTION _____

SQ1212-2mH 卧式 10*13 脚距

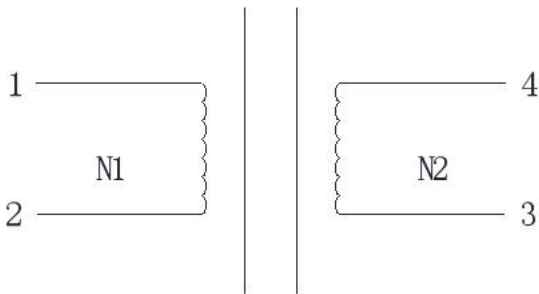
VER _____

A

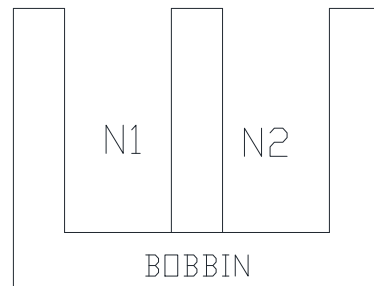
OUR DRAWING NO _____

XRSQ1212-2mH-H-1013

2. SCHEMATIC:



3. WINDING SEQUENCE:



4. WINDING TABLE

| ORDER | WIRE SIZE | START | END | TURNS | LAYER | INSULATION | |
|-------|----------------------|-------|-----|------------|-------|------------|--|
| N1 | 0.25t×1.0mm UEWH 扁平线 | 1 | 2 | 24TS (REF) | CLOSE | | |
| N2 | 0.25t×1.0mm UEWH 扁平线 | 4 | 3 | 24TS (REF) | CLOSE | | |
| | | | | | | | |
| | | | | | | | |
| | | | | | | | |
| | | | | | | | |
| | | | | | | | |
| | | | | | | | |

| PPROVED BY | CHECKED BY | PREPARED BY | UNIT | mm |
|------------|------------|-------------|---------|------------|
| 李振雄 | 唐文 | 谢诗珍 | DATE | 2024/07/19 |
| | | | REV NO. | A |



东莞市祥如电子有限公司

SPECIFICATION FOR APPROVAL

CUSTOMER _____

CUSTOMER 'S PART NO _____

VER _____

A

DESCRIPTION _____

SQ1212-2mH 卧式 10*13 脚距

OUR DRAWING NO _____

XRSQ1212-2mH-H-1013

6. MATERIAL LIST:

| No | ITEM | MATERIAL | CLASS | UL NO. | MANUFACTURER | OPT. |
|----|---------|--------------|-------|---------|--|------|
| 1 | CORE | SQ1212 12K | | | ACMEElectronics (Guangzhou) Co;Ltd | √ |
| | | SQ1212 12K | | | SHANGDONG hengrui magnet technology CO.,LTD | √ |
| | | SQ1212 12K | | | DongGuan City JiuXin Magnetic Material Co.,Ltd | √ |
| | | SQ1212 12K | | | TengZhou MingJi Magnetism Industry Co., Ltd. | √ |
| 2 | BOBBIN | T375HF | 150°C | E59481 | CHANG CHUN PLASTICS CO LTD | √ |
| 3 | WIRE | @* FIWx180 | 180°C | E234867 | SUNTEK HOLDINGS LIMITED | √ |
| | | @* UEW180 | 180°C | E504985 | Guangdong Lizewire Electric Technology Co Ltd | √ |
| 4 | VARNISH | E962 | 130°C | E335405 | ZHUHAI CHANGXIAN NEW MATERIALS TECHNOLOGY CO LTD | √ |
| 5 | 锡 | 无铅锡条 /Sn99.9 | | | Dongguan City Thousand Island METAL Foil CO LTD | √ |
| | | | | | | |

Page6/7

| PPROVED BY | CHECKED BY | PREPARED BY | UNIT | mm |
|------------|------------|-------------|---------|------------|
| 李振雄 | 唐文 | 谢诗珍 | DATE | 2024/07/19 |
| | | | REV NO. | A |



东莞市祥如电子有限公司

SPECIFICATION FOR APPROVAL

CUSTOMER _____

CUSTOMER 'S PART NO _____

VER _____

A

DESCRIPTION _____

SQ1212-2mH 卧式 10*13 脚距

OUR DRAWING NO _____

XRSQ1212-2mH-H-1013

7. THE INSPECTION REPORT

| ITEM | TEXT SPEC. | 1 | 2 | 3 | 4 | 5 |
|---------------------------------|------------------------|------|------|------|------|------|
| L 值(1-2) | 2mH MIN 1KHZ 0.25V 25° | 7.22 | 7.45 | 8.23 | 9.36 | 9.55 |
| L 值(3-4) | 2mH MIN 1KHZ 0.25V 25° | 7.22 | 7.45 | 8.23 | 9.36 | 9.55 |
| | | | | | | |
| | | | | | | |
| | | | | | | |
| DCR 值(1-2) | 80mΩ MAX AT 25°C | OK | OK | OK | OK | OK |
| DCR 值(3-4) | 80mΩ MAX AT 25°C | OK | OK | OK | OK | OK |
| | | | | | | |
| | | | | | | |
| | | | | | | |
| | | | | | | |
| HI-POT AC50/60Hz 5mA 3sec | COIL-COIL:1500V | OK | OK | OK | OK | OK |
| | COLI-CORE:1000V | OK | OK | OK | OK | OK |

TEST EQUIPMENT

| INDUCTANCE | HI-POT | DC. R |
|----------------|-------------------|----------------|
| CH-3250: () | E-SUN-19053 (√) | CH-502BC (√) |
| CH-1062: (√) | | |
| CH-101: () | | |

Page7/7

| PPROVED BY | CHECKED BY | PREPARED BY | UNIT | mm |
|------------|------------|-------------|---------|------------|
| 李振雄 | 唐文 | 谢诗珍 | DATE | 2024/07/19 |
| | | | REV NO. | A |

单击下面可查看定价，库存，交付和生命周期等信息

[>>XR\(祥如\)](#)