

■ Features

- High current type.
- Ferrite bobbin core and compact size.
- Low core loss for high frequency power application.
- Large terminal surface for good PCB bonding.
- Operating temperature: $-40^{\circ}\text{C} \sim +125^{\circ}\text{C}$.

■ Applications

- Portable communication equipment.
- Notebook PC, digital camera, LCD television set.
- Power supply for VTR, OA equipment.
- DC/DC converters.

■ Product Identification

$\frac{\text{XRRH}}{(1)} \quad \frac{\square\square\square\square}{(2)} - \frac{\square\square\square}{(3)} \quad \frac{\text{M}}{(4)}$

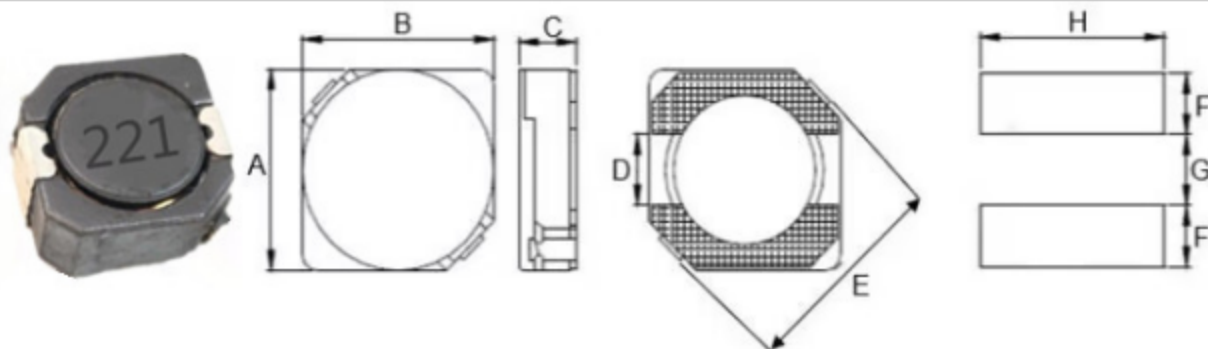
(1) : Type

(2) : Dimensions

(3) : Inductance value

(4) : Inductance Tolerance; M= $\pm 20\%$

■ Shapes and Dimensions (Unit: mm)



TYPE	A	B	C max.	D	E	F Ref.	G Ref.	H Ref.
XRRH3D28	3.8 ± 0.3	3.8 ± 0.3	3.1	1.15	5.2	1.6	1.2	4.4

■ XRRH3D28 Series

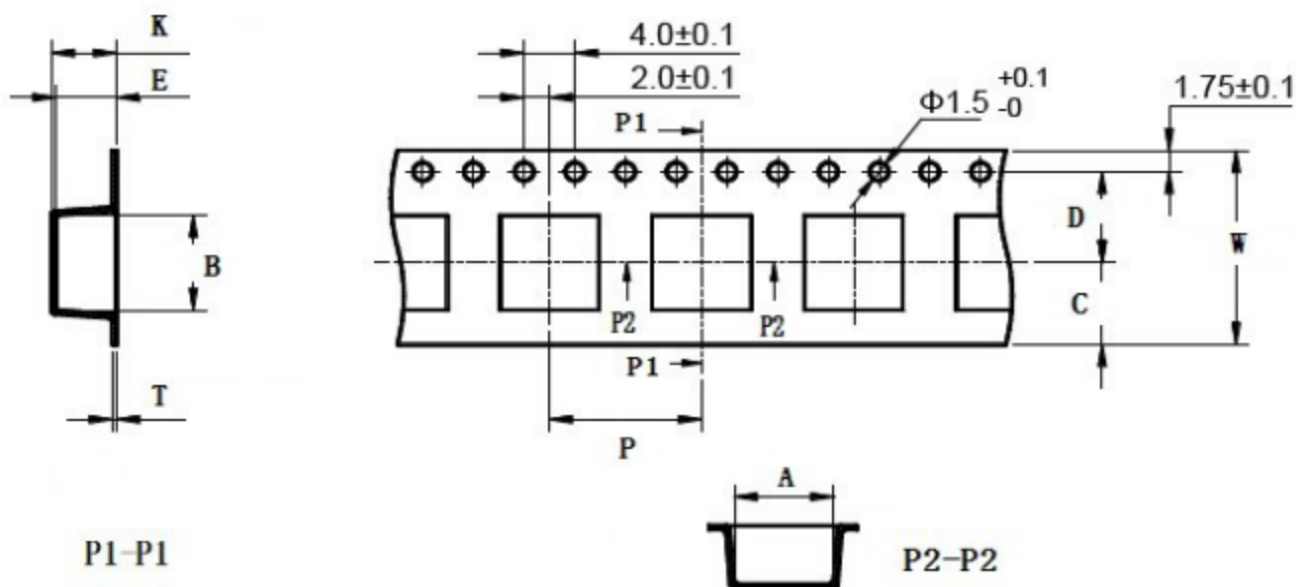
Part Number	Inductance (uH)	Test Freq.(KHz)	DCR MAX.(Ω)	Rated Current (A)
XRRH3D28-3R3M	3.3	100	0.036	0.90
XRRH3D28-4R7M	4.7	100	0.046	0.80
XRRH3D28-6R8M	6.8	100	0.055	0.60
XRRH3D28-100M	10.0	100	0.092	0.50
XRRH3D28-120M	12.0	100	0.100	0.45
XRRH3D28-150M	15.0	100	0.113	0.40
XRRH3D28-180M	18.0	100	0.125	0.35
XRRH3D28-220M	22.0	100	0.146	0.33
XRRH3D28-270M	27.0	100	0.176	0.29
XRRH3D28-330M	33.0	100	0.214	0.28
XRRH3D28-390M	39.0	100	0.225	0.25
XRRH3D28-470M	47.0	100	0.304	0.23
XRRH3D28-560M	56.0	100	0.324	0.20
XRRH3D28-680M	68.0	100	0.472	0.18
XRRH3D28-820M	82.0	100	0.539	0.17
XRRH3D28-101M	100	100	0.608	0.16
XRRH3D28-121M	120	100	0.757	0.13
XRRH3D28-151M	150	100	0.882	0.12
XRRH3D28-181M	180	100	1.130	0.11
XRRH3D28-221M	220	100	1.269	0.10

※ The saturation current value is the DC current value having inductance decrease down to 30%. (at 20°C)

※ The temperature rise current value is the DC current value having temperature increase up to 40°C. (at 20°C)

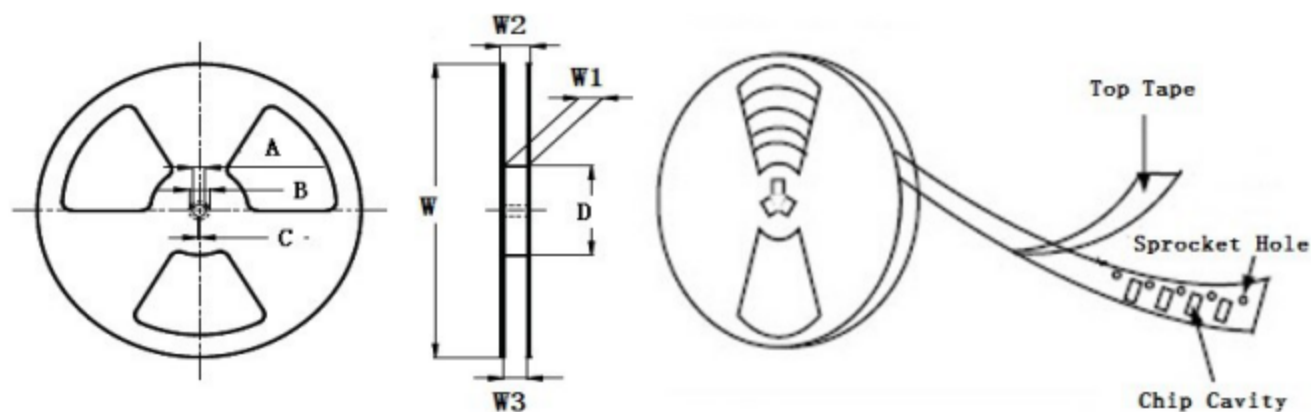
※ The rated current is the DC current value that satisfies both of current value saturation current value and temperature rise current value.

■ Taping Dimensions(Unit:mm)



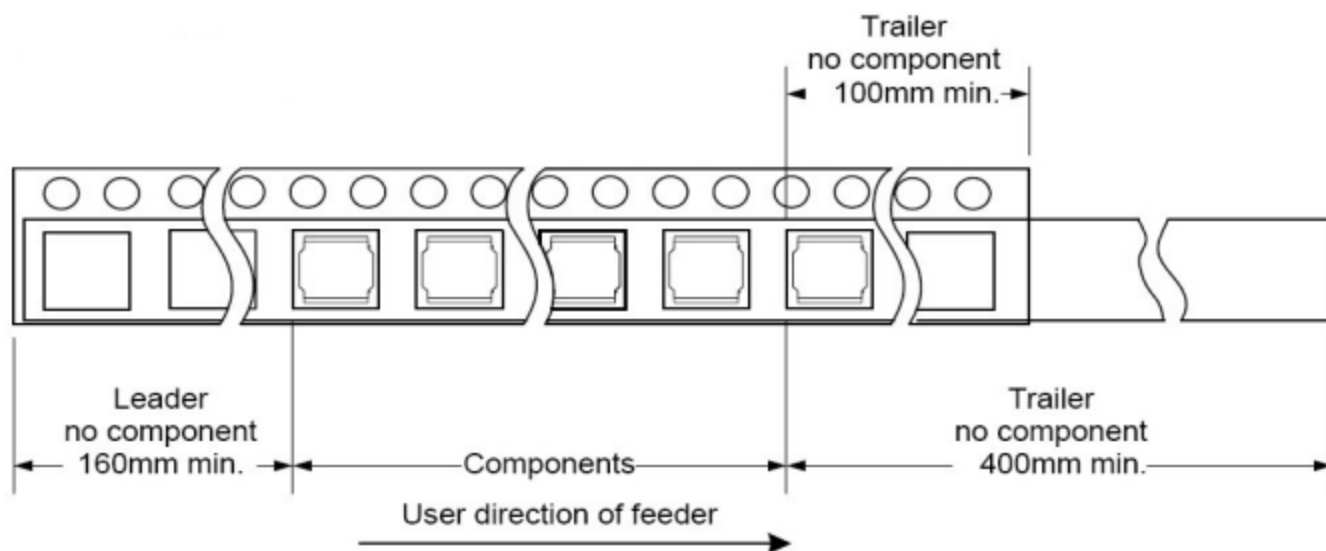
TYPE	W	A	B	C	D	E	P	K Ref	T	MPQ
XRRH3D28	12±0.3	4.35±0.1	4.35±0.1	4.75	5.5±0.1	3.25±0.1	8.0±0.1	3.45	0.40±0.05	3500

■ Reel Dimensions(Unit:mm)

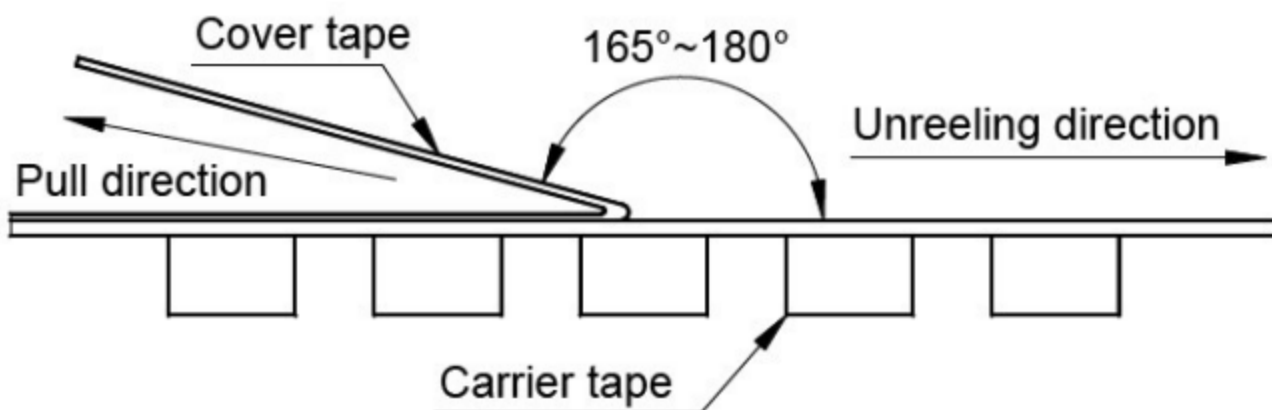


TYPE	W	W1	W2	W3	A	B	C	D
XRRH3D28	330±2.0	12.4±2.0	13.5MAX	11.9 Min	13.0±0.50	21.0±0.80	2.0±0.50	100 Min

Direction of rolling



Cover tape peel off condition



Cover tape peel force shall be 0.1N to 1.3N.

Reference peel speed 300 ± 10 mm/min.

单击下面可查看定价，库存，交付和生命周期等信息

[>>XR\(祥如\)](#)