

■ Features

- Ultra low profile.
- Magnetic shielded for low radiation.
- Bobbin ferrite core and compact size.
- Low core loss for high frequency power application.
- Large terminal surface for good PCB bonding.
- Operating temperature:-40°C ~ +125°C.

■ Applications

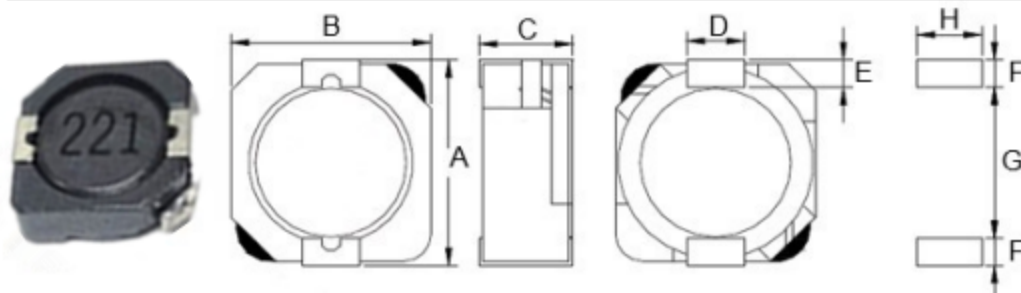
- Portable communication equipment.
- Notebook PC,digital camera,LCD television set.
- Power supply for VTR,OA equipment.
- DC/DC converters.

■ Product Identification

$\frac{\text{XRRH}}{(1)}$ $\frac{\square\square\square}{(2)}$ $-\frac{\square\square\square}{(3)}$ $\frac{M}{(4)}$

- (1) : Type
- (2) : Dimensions
- (3) : Inductance value
- (4) : Inductance Tolerance; N=±30%,M=±20%, K=±10%

■ Shapes and Dimensions (Unit: mm)



TYPE	A	B	C Max	D	E	F Ref.	G Ref.	H Ref.
XRRH105R	10.1±0.3	10.1±0.3	5.0	3.0	1.2	1.6	7.3	3.2

XRRH105R Series

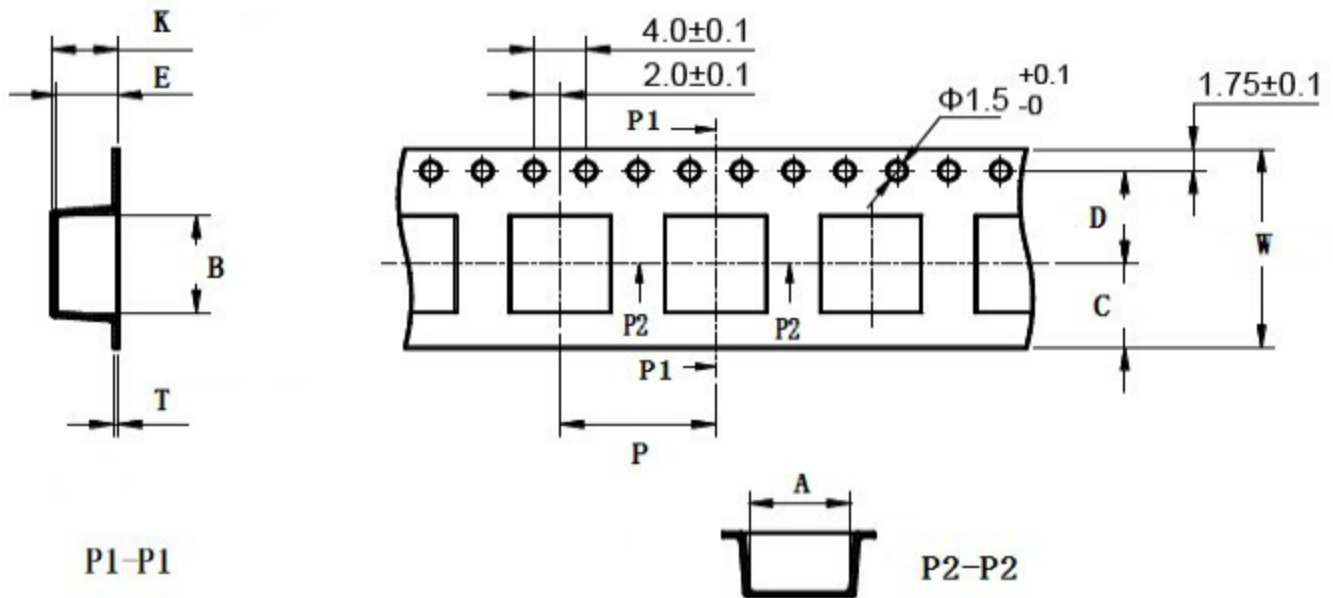
Part Number	Inductance (uH)	Test Freq. (KHz)	DCR MAX. (Ω)	Saturation Current (A)	Heat Rating Current (A)
XRRH105R-R80M	0.80	100	0.005	9.50	13.50
XRRH105R-1R5M	1.50	100	0.006	8.30	10.50
XRRH105R-2R2M	2.20	100	0.008	7.50	9.25
XRRH105R-3R3M	3.30	100	0.011	6.50	7.80
XRRH105R-4R7M	4.70	100	0.013	6.10	6.40
XRRH105R-6R8M	6.80	100	0.018	5.40	5.40
XRRH105R-8R2M	8.20	100	0.020	5.00	4.85
XRRH105R-100M	10.0	100	0.026	4.50	4.45
XRRH105R-120M	12.0	100	0.033	3.80	4.00
XRRH105R-150M	15.0	100	0.041	3.40	3.60
XRRH105R-180M	18.0	100	0.046	3.10	3.20
XRRH105R-220M	22.0	100	0.061	2.90	2.95
XRRH105R-270M	27.0	100	0.069	2.60	2.70
XRRH105R-330M	33.0	100	0.084	2.50	2.40
XRRH105R-390M	39.0	100	0.106	2.25	2.30
XRRH105R-470M	47.0	100	0.130	2.00	2.00
XRRH105R-560M	56.0	100	0.149	1.90	1.90
XRRH105R-680M	68.0	100	0.201	1.60	1.65
XRRH105R-820M	82.0	100	0.227	1.45	1.50
XRRH105R-101M	100	100	0.253	1.35	1.35
XRRH105R-121M	120	100	0.303	1.18	1.28
XRRH105R-151M	150	100	0.370	1.10	1.12
XRRH105R-181M	180	100	0.419	1.00	1.04
XRRH105R-221M	220	100	0.500	0.94	0.94
XRRH105R-271M	270	100	0.672	0.80	0.84

XRRH105R Series-Power Inductors

Part Number	Inductance (μ H)	Test Freq. (KHz)	DCR MAX. (Ω)	Saturation Current (A)	Heat Rating Current (A)
XRRH105R-331M	330	100	0.812	0.73	0.75
XRRH105R-391M	390	100	0.953	0.70	0.70
XRRH105R-471M	470	100	1.289	0.54	0.60
XRRH105R-561M	560	100	1.430	0.52	0.54
XRRH105R-681M	680	100	1.599	0.51	0.52
XRRH105R-821M	820	100	1.768	0.48	0.50
XRRH105R-102M	1000	100	1.989	0.42	0.48

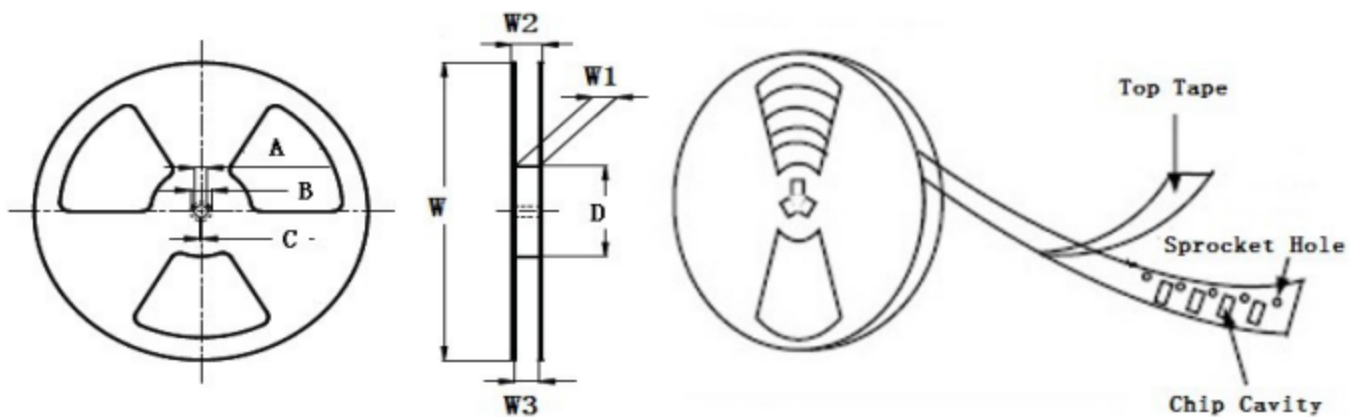
- ※ The saturation current value is the DC current value having inductance decrease down to 30%. (at 20°C)
- ※ The temperature rise current value is the DC current value having temperature increase up to 40°C. (at 20°C)
- ※ The rated current is the DC current value that satisfies both of current value saturation current value and temperature rise current value.

■ Taping Dimensions(Unit:mm)

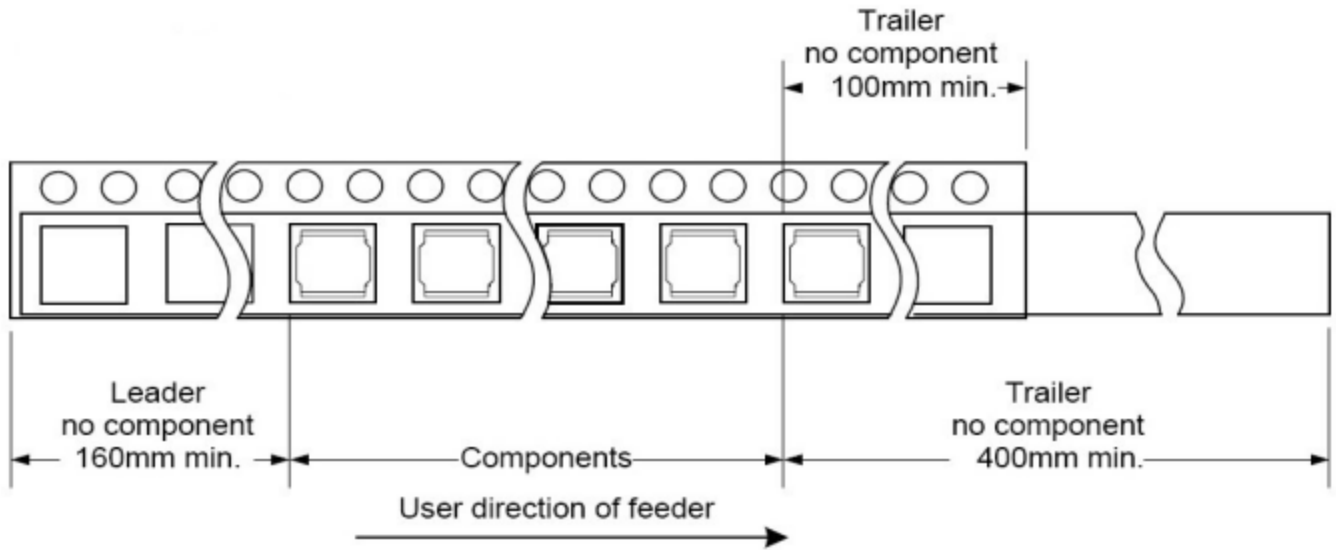
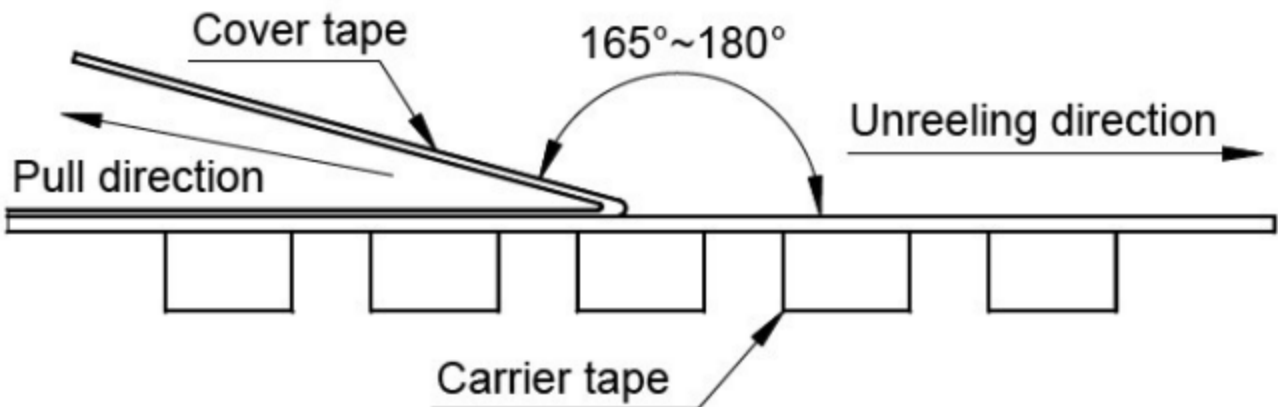


TYPE	W	A	B	C	D	E	P	K Ref	T	MPQ
XRRH105R	24±0.3	10.8±0.1	10.8±0.1	10.75	11.5±0.1	4.75±0.1	16±0.1	4.95	0.35±0.05	800

■ Reel Dimensions(Unit:mm)



TYPE	W	W1	W2	W3	A	B	C	D
XRRH105R	330±2.0	24.4±1.50	30.4MAX	23.9 Min	13.0±0.50	21.0±0.80	2.0±0.50	100 Min

Direction of rolling**Cover tape peel off condition**

Cover tape peel force shall be 0.1N to 1.3N.

Reference peel speed 300 ± 10 mm/min.

单击下面可查看定价，库存，交付和生命周期等信息

[>>XR\(祥如\)](#)