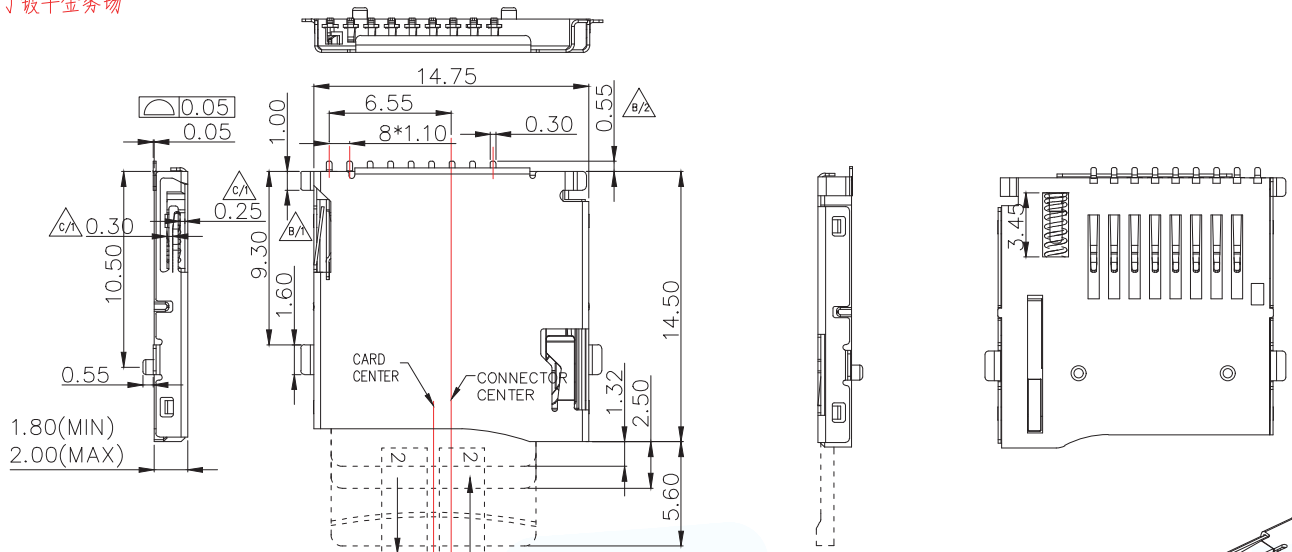
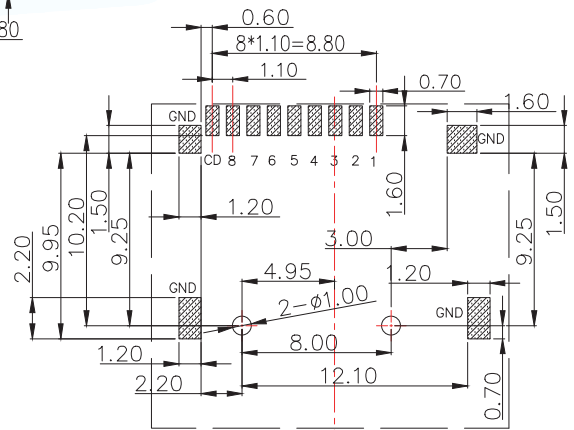
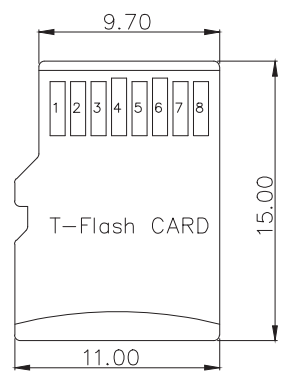
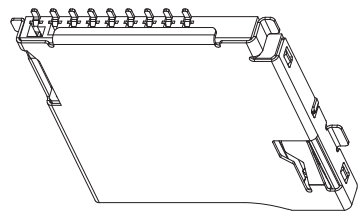
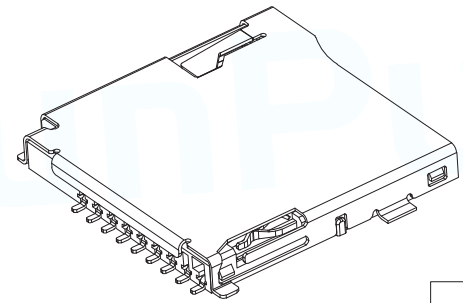
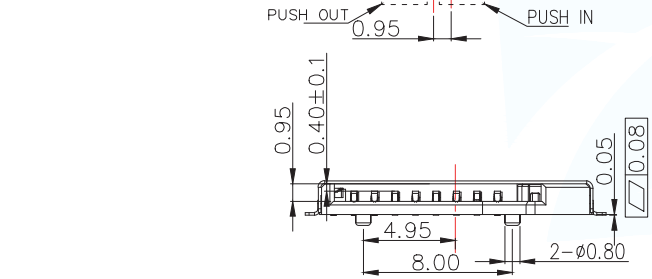


端子镀半金零锡



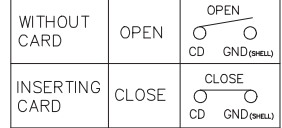
NOTES:

- MATERIAL:
HOUSING: HIGH TEMPERATURE THERMOPLASTIC UL94V_0,COLOR: BLACK.
CONTACT: COPPER ALLOYS.
COVER: COPPER ALLOYS OR STEEL.
- PLATING:
UNDERPLATE: NICKEL.
CONTACT AREA: GOLD OVER NICKEL.
SOLDER AREA: TIN OVER NICKEL.
- MULTIMEDIA CARD COMPATIBLE



▨ PAD AREA
■ KEEP OUT AREA

Circuit Diagram for Detect Switch

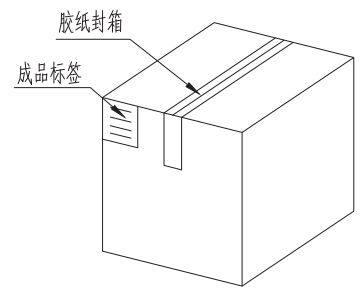
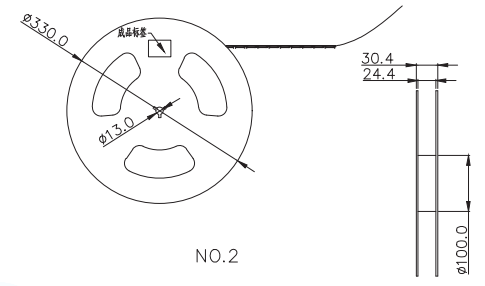
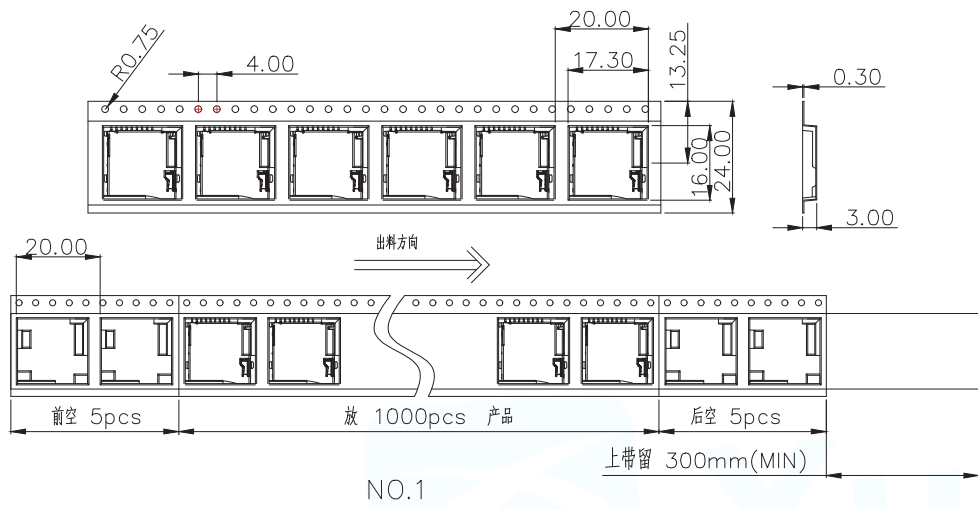


RECOMMENDED PCB LAYOUT
GENERAL TOLERANCE ±0.05

TF CARD PIN DEFINE			
PIN NO.	NAME	YYPE	DESCRIPTION
1	DAT2	I/O/PP	DATE LINE(BIT2)
2	CD/DAT3	I/O/PP	CARD DETECT DATE LIN(BIT3)
3	CMD	PP	COMMAND RESPONSE
4	VDD	S	SUPPLY VOLTAGE
5	CLX	I	CLOCK
6	VSS	S	SUPPLY VOLTAGE GROUND
7	DAT0	I/O/PP	DATE LINE(BIT0)
8	DAT1	I/O/PP	DATE LINE(DIT1)

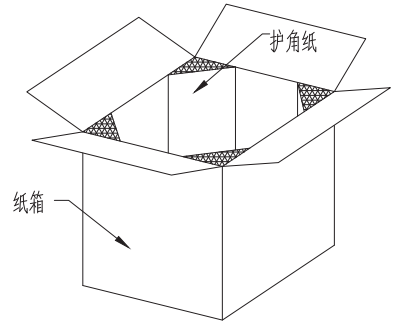
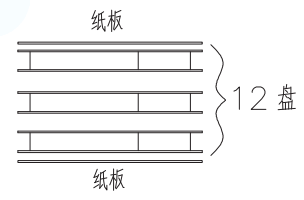
MANUFACTURE DWG		东莞市讯普电子科技有限公司 DongGuan XunPu Electronics Co.,Ltd	
UNLESS OTHERWISE SPECIFIED TOLERANCES			TITLE: MICRO SD CARD PUSH PUSH SMT 不镀金 外焊
DECIMALS:	ANGLES:		PAR TF-115-BCP9
X.X: ±0.35	X.X': ±3°		DWN
X.XX: ±0.25	X.XX': ±2°		CHKD
X.XXX: ±0.15		APVD	SCALE1:1 UNIT: MM
CUSTOMER COPY		SIZE: A4	UNIT: MM
		SHEET: 1F1	REV: A

12	13	14	15
MAPX	MODIFICATION	DATE	DRAW
			APPROVE



纸箱规格: 340*340*385

NO.4



NO.3

1. 材质要求:
 - 1.1 纸箱的材质为K; 外形尺寸为34*34*38.5;
 - 1.2 卷盘的材质为PS, 卷盘的外形尺寸为 $\phi 330*30.4$;
 - 1.3 卷带的材质为PS, 卷带的外形尺寸为20200*24.00*3.0mm;
2. 包装方式:
 - 2.1 将卷带放入包装机后, 前空5PCS, 后放产品1000PCS, 再后空5PCS; 上带留300MM长度。
 - 2.2 将包装好的产品从包装机上取下并包装好, 贴上内盘标签;
 - 2.3 把累叠好的12盘叠放入纸箱中共计12Kset, 上下放纸板, 纸箱四个角塞护角纸;
 - 2.4 把包装好的成品打包封箱, 并在纸箱外贴上标签

MANUFACTURE DWG		东莞市讯普电子科技有限公司 DongGuan XunPu Electronics Co.,Ltd	
UNLESS OTHERWISE SPECIFIED TOLERANCES			TITLE: MICRO SD CARD PUSH PUSH SMT 不镀金 外焊
			PAR TF-115-BCP9
DECIMALS:	ANGLES:		DWN
X.X: ± 0.35	X.X': $\pm 3^\circ$		CHKD
X.XX: ± 0.25	X.XX': $\pm 2^\circ$	APVD	SCALE: 1:1 UNIT: MM
X.XXX: ± 0.15		CUSTOMER COPY	SIZE: A4 SHEET: 1F1 REV: A

单击下面可查看定价，库存，交付和生命周期等信息

[>>XUNPU](#)