

DATA SHEET

WIRELESS COMPONENTS

Ceramic Patch Antenna

ANT1818B00CT1575S

GPS

PIN 18 × 18 × 2 mm



FEATURES

- High radiation efficiency
- Pin-solder process
- RoHS compliant

APPLICATIONS

- Navigation device
- Telematics box
- Fleet management

ORDERING INFORMATION

All part numbers are identified by the series, packing type, material, size, antenna type, working frequency and packing quantity.

PART NUMBER

ANT 1818 B 00C T 1575S
 (1) (2) (3) (4) (5) (6)

(1) PRODUCT

ANT = Antenna

(2) SIZE

1818 = 18 x 18 mm

(3) ANTENNA TYPE

B = Bulk Antenna

(4) SERIAL NO.

00C

(5) PACKING STYLE

T = Tray

(6) WORKING FREQUENCY

1575= 1.575 GHz

PHYCOMP CTC

CAN43934240C1581B

I2NC

43934240C158

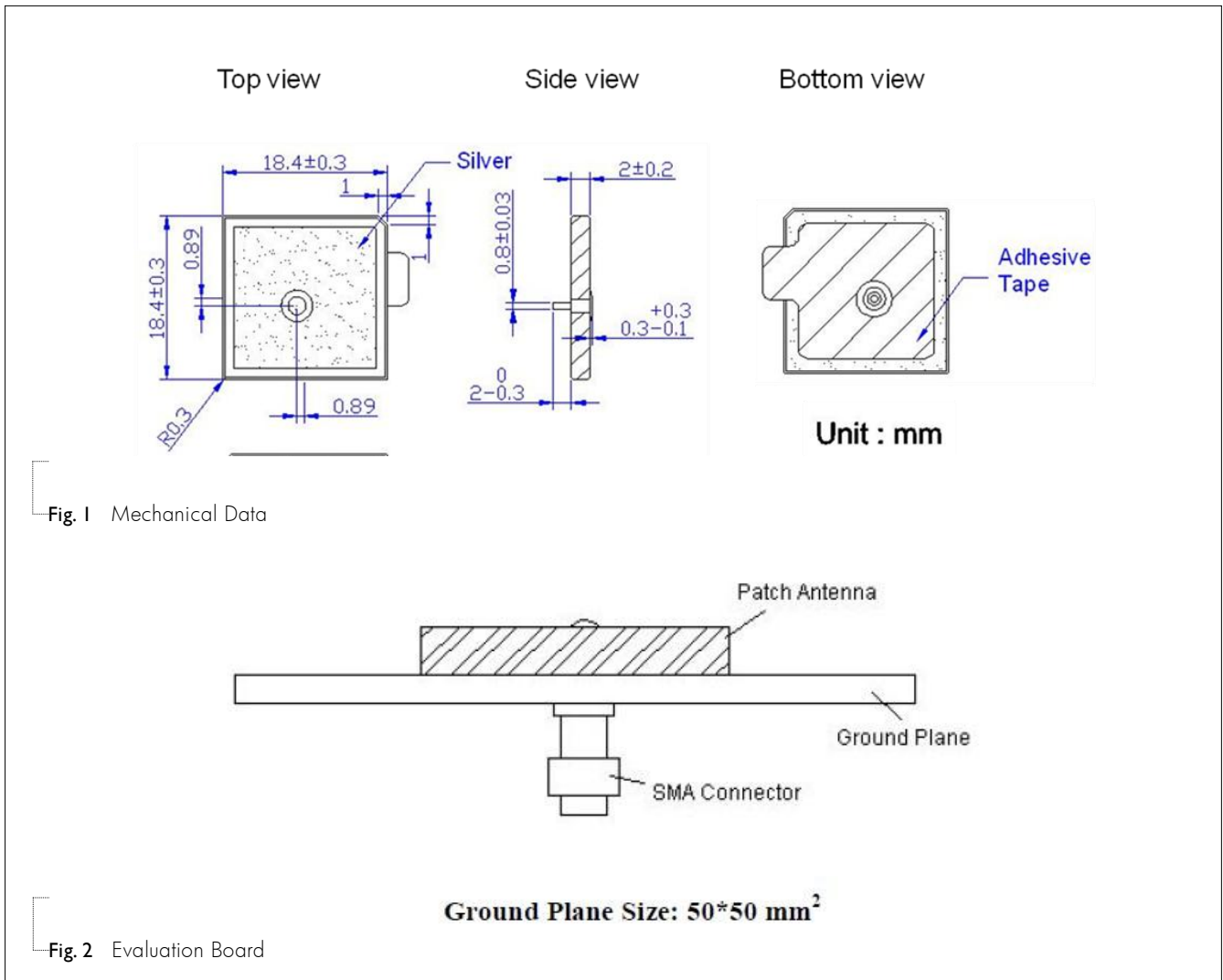
SPECIFICATION

Table I

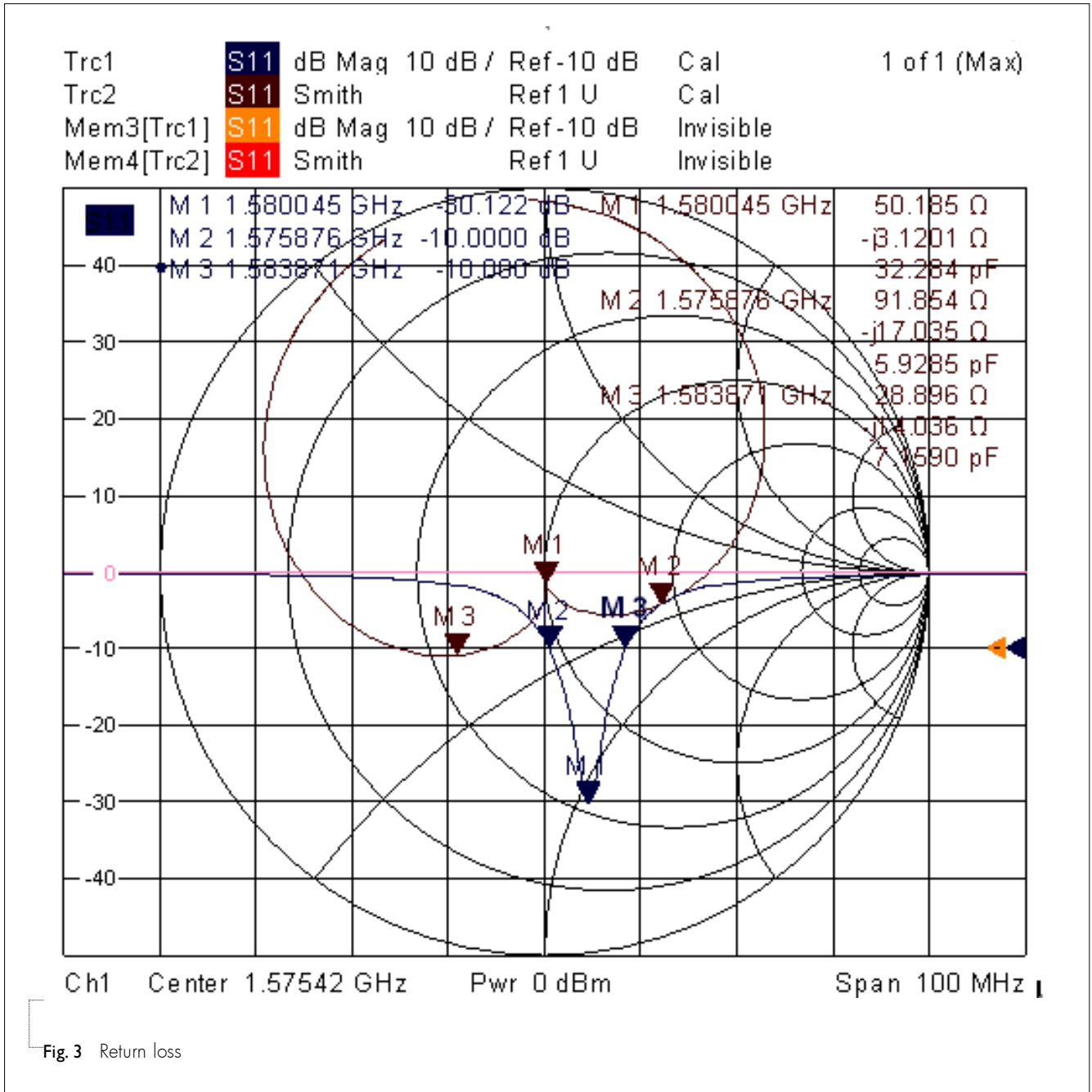
DESCRIPTION	VALUE
Centre Frequency	1580 ± 3MHz
Bandwidth	8 MHz (Typ.)
Gain	3 dBic (Typ.)
VSWR	1.5 Max.
Polarization	Right Hand Circular Polarization
Axis Ratio	≤ 3 dB
Beam Width	> 120 degrees
Impedance	50Ω
Operating Temperature	-40~105 °C

NOTE

1. Based on 50×50 mm² square ground plane.
2. Centre frequency will be offset to working frequency while changes of customer's housing and ground plane.
3. Please contact local sales if you need customized design to gain optimum antenna performance.



ELECTRICAL PERFORMANCES



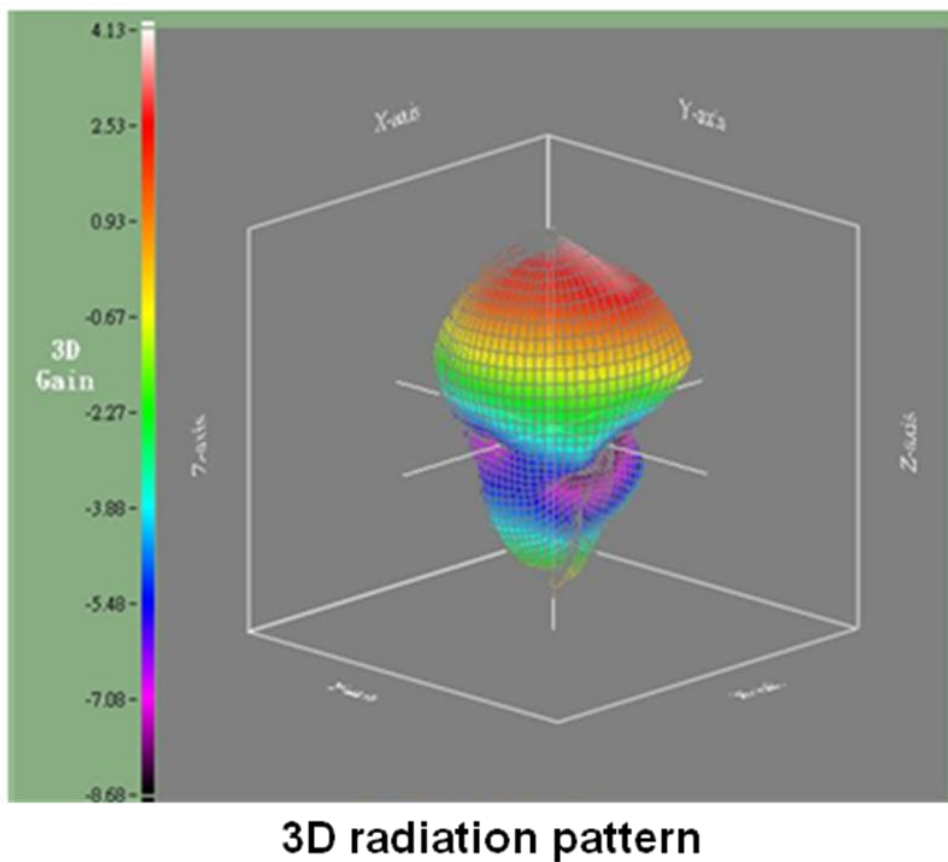
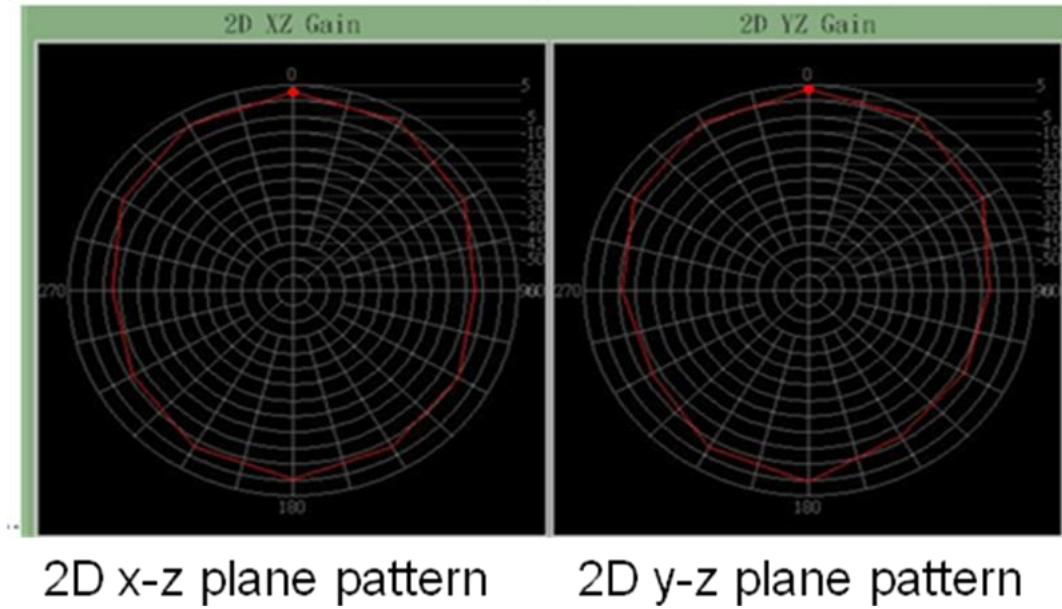


Fig. 4 Radiation Pattern (Frequency = 1580MHz)

REVISION HISTORY**REVISION** **DATE** **CHANGE NOTIFICATION** **DESCRIPTION**

Version 0 Oct. 07, 2015-

- New data sheet for Patch antenna, PIN Feed size 18×18×2 mm

单击下面可查看定价，库存，交付和生命周期等信息

[>>Yageo\(国巨\)](#)