

# DATA SHEET

## JUMPER WIRE

Tinned Copper Wire

JPW Series

ø0.5, ø0.6, ø0.7, ø0.8, ø1.0

RoHS compliant & Halogen Free





**ORDERING INFORMATION**

Part number of the tinned copper wires are identified by the series, wire diameter, tolerance, packing, temperature coefficient and forming.

**PART NUMBER**

<u>JPW</u>	<u>-06</u>	<u>-</u>	<u>T</u>	<u>-</u>	<u>52-</u>
(1)	(2)	(3)	(4)	(5)	(6)

**APPLICATIONS**

- All general purpose applications

**FEATURES**

- Suitable for automatic machine insertion
- RoHS compliant & halogen-free

**(1) SERIES**

JPW Series

**(2) Wire Diameter**

-05 = 0.5mm	-08 = 0.8mm
-06 = 0.6mm	-10 = 1.0mm
-07 = 0.7mm	

**(3) TOLERANCE**

- = Based on spec.

**(4) PACKAGING**

R = Reel Pack	B = Bulk
T = Box Pack	

**(5) TEMPERATURE COEFFICIENT OF RESISTANCE**

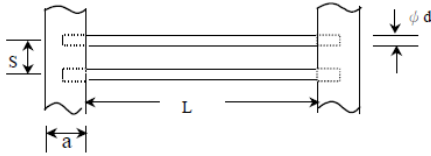
- = Based on spec.

**(6) FORMING**

26- = 26mm  
 52- = 52.4mm  
 73- = 73mm  
 M = M-Type Forming  
 M504 = M type forming, P=5.0±1.0mm, H=4±0.5mm  
 (For all types please refer to page 6 )

**DIMENSIONS**

Unit: mm

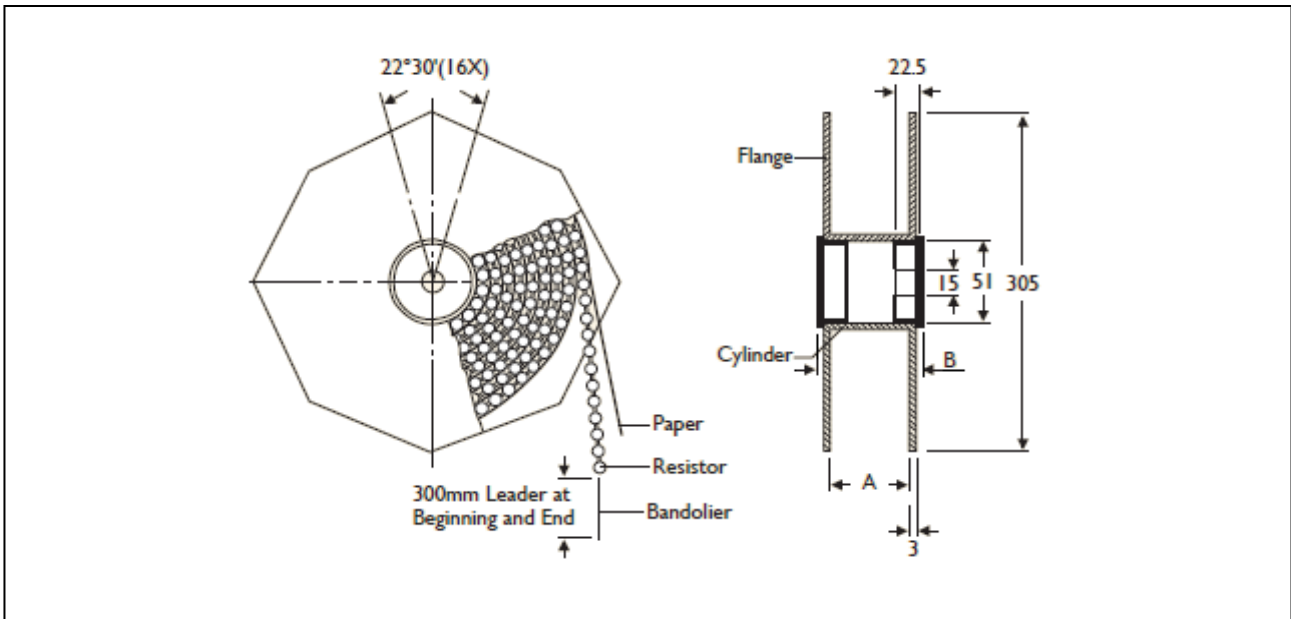


Normal	ψd	L	S	a
JPW-05	0.5 ±0.05	26±1	52.4±1	-
JPW-06	0.6 ±0.05	26±1	52.4±1	-
JPW-07	0.7 ±0.05	26±1	52.4±1	73±1.5
JPW-08	0.8 ±0.05	26±1	52.4±1	73±1.5
JPW-10	1.0 ±0.05	26±1	52.4±1	73±1.5

**ELECTRICAL CHARACTERISTICS**

CHARACTERISTICS	JPW	
Material of Jumper Wire	Soft copper wire with tin plating	
Wire Diameter	∅0.5, ∅0.6, ∅0.7, ∅0.8, ∅1.0 (±0.05mm)	
Tension Strength	CNS 8938 within 28kg/mm <sup>2</sup>	
Extension Rate	CNS 8938 ∅0.5 to ∅0.6mm	over 24%
	CNS 8938 ∅0.7 to ∅1.0mm	over 26%
Conductivity	∅0.5mm	Minimum 94%
	∅0.6 to ∅1.0mm	Minimum 96%
Twisting Strength	CNS 8938 ψ0.5 mm	Load 250 g 3 cycles
	CNS 8938 ψ0.6 ~ψ0.8 mm	Load 500 g 3 cycles
	CNS 8938 ψ1.0 mm	Load 1.0kg 3 cycles
Solderability	245°C ± 5°C , 5 ± 0.5 sec. Coverage 95% Min	
Element of Plating	Tin Minimum 99.9%	
Thickness of Plating	4±1µm	
	∅0.5mm	6 AMPS at 70°C
	∅0.6mm	7.5 AMPS at 70°C
	∅0.7mm	8.5 AMPS at 70°C
	∅0.8mm	10 AMPS at 70°C
Current Rating	∅10mm	15 AMPS at 70°C
Appearance	Smooth and shining	

**TAPE ON REEL PACKING**

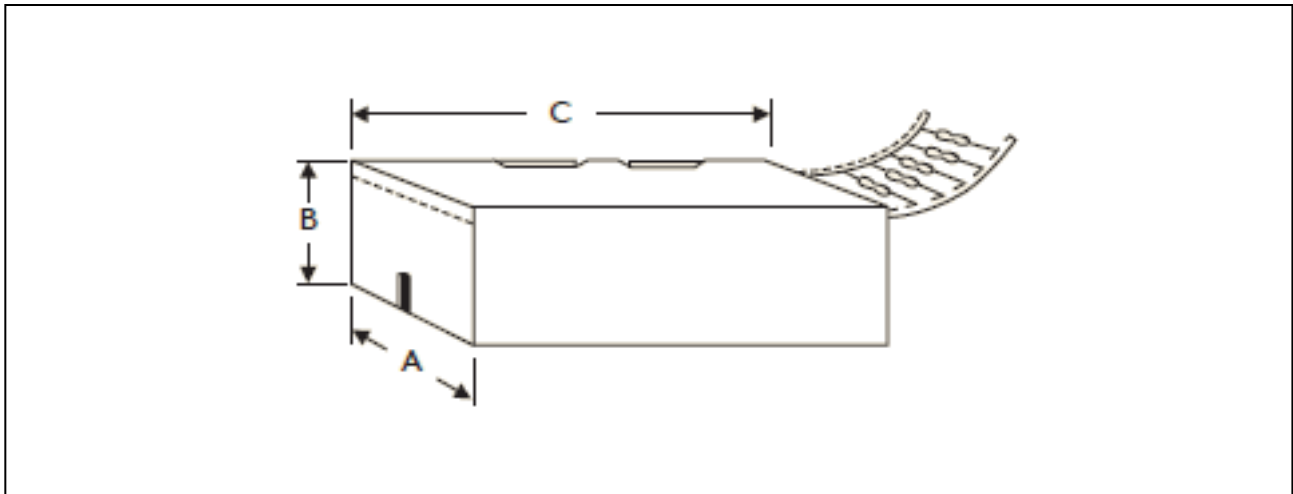


TYPE

Unit: mm/piece

Normal	Across Flange(A)	B	Quantity Per Reel
JPW-05	66.5	75.5	10,000
JPW-06	66.5	75.5	10,000
JPW-07	66.5	75.5	10,000
JPW-07	87	96	10,000
JPW-08	66.5	75.5	10,000
JPW-08	87	96	10,000
JPW-10	66.5	75.5	5,000
JPW-10	87	96	5,000

**TAPE ON BOX PACKING**



Unit: mm/piece

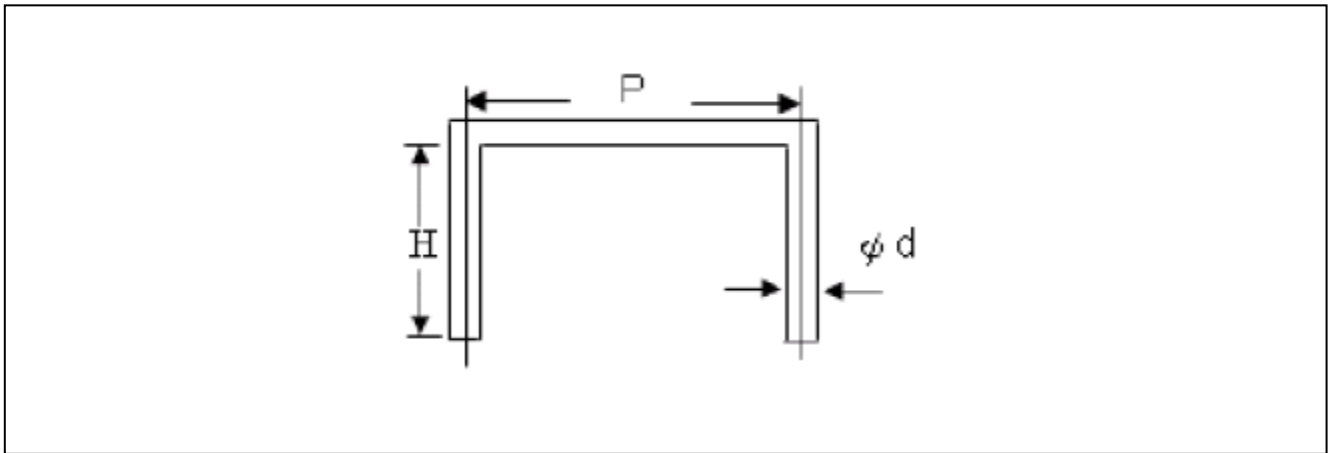
Normal	A	B	C	Quantity Per Box
JPW-05	48	68	255	5,000
JPW-05	78	115	260	10,000
JPW-06	48	68	255	5,000
JPW-06	78	115	260	10,000
JPW-07	48	68	255	5,000
JPW-07	78	115	260	10,000
JPW-08	48	68	255	5,000
JPW-08	81	70	260	5,000
JPW-10	48	68	255	5,000
JPW-10	81	70	260	5,000

**BULK PACKING**

Normal	Piece/Per Inner Box	Bag/Per Inner Box	Piece Per Bag
JPW-05	10,000	10	1,000
JPW-06	10,000	10	1,000
JPW-07	10,000	10	1,000
JPW-08	10,000	10	1,000
JPW-10	10,000	10	1,000

**FORMING**

**M TYPE**



TYPE	DIMENSIONS			Unit: mm
Normal	$\psi d$	P	H	Forming code
JPW-05	0.5±0.05	5.0±1.0	4.0±0.5	M504
		5.0±1.0	10.0±1.0	M5010
		5.0±1.0	4.0±0.5	M504
JPW-06	0.6±0.05	8.0±1.0	4.0±0.5	M804
		7.5±1.0	10.0±0.5	M75010
		14.0±1.0	3.5±1.0	M14035
		16.5±1.0	3.5±1.0	M165035
JPW-07	0.7±0.05			
JPW-08	0.8±0.05			
JPW-10	1.0±0.05			

**REVISION HISTORY**

REVISION	DATE	CHANGE NOTIFICATION	DESCRIPTION
Version 0	Aug.2, 2021	-	- First issue of this specification
Version 1	Mar.10, 2022		-Add M14035& M165035 forming code
Version 2	Apr. 6, 2022		- Update M75010 forming code

*“ Yageo reserves all the rights for revising the content of this datasheet without further notification, as long as the products itse If are unchanged. Any product change will be announced by PCN.”*

## **LEGAL DISCLAIMER**

Yageo, its distributors and agents (collectively, "Yageo"), hereby disclaims any and all liabilities for any errors, inaccuracies or incompleteness contained in any product related information, including but not limited to product specifications, datasheets, pictures and/or graphics. Yageo may make changes, modifications and/or improvements to product related information at any time and without notice.

Yageo makes no representation, warranty, and/or guarantee about the fitness of its products for any particular purpose or the continuing production of any of its products. To the maximum extent permitted by law, Yageo disclaims (i) any and all liability arising out of the application or use of any Yageo product, (ii) any and all liability, including without limitation special, consequential or incidental damages, and (iii) any and all implied warranties, including warranties of fitness for a particular purpose, non-infringement and merchantability.

Yageo statements regarding the suitability of products for certain types of applications are based on Yageo's knowledge of typical operating conditions for such types of applications in a generic nature. Such statements are neither binding statements of Yageo nor intended to constitute any warranty concerning the suitability for a specific customer application or use. They are intended for use only by customers with requisite knowledge and experience for determining whether Yageo products are the correct products for their application or use. In addition, unpredictable and isolated cases of product failure may still occur, therefore, customer application or use of Yageo products which requires higher degree of reliability or safety, shall employ additional protective safeguard measures to ensure that product failure would not result in personal injury or property damage.

Yageo products are not designed for application or use in medical, life-saving, or life-sustaining devices or for any other application or use in which the failure of Yageo products could result in personal injury or death. Customers using or selling Yageo products not expressly indicated for above-mentioned purposes shall do so at their own risk and agree to fully indemnify Yageo and hold Yageo harmless.

Information provided here is intended to indicate product specifications only. Yageo reserves all the rights for revising this content without further notification, as long as products are unchanged. Any product change will be announced by PCN.



单击下面可查看定价，库存，交付和生命周期等信息

[>>Yageo\(国巨\)](#)