

DATA SHEET

WIRELESS COMPONENTS

Ceramic Patch Antenna

ANT2525B00CT1575S

GPS

PIN 25x25x2 mm



FEATURES

- High radiation efficiency
- Pin-solder process
- RoHS compliant

APPLICATIONS

- Navigation device
- Telematics box
- Fleet management

ORDERING INFORMATION

All part numbers are identified by the series, packing type, material, size, antenna type, working frequency and packing quantity.

PART NUMBER

ANT 2525 B 00C T 1575S
 (1) (2) (3) (4) (5) (6)

(1) PRODUCT

ANT = Antenna

(2) SIZE

2525=25x25 mm

(3) ANTENNA TYPE

B = Bulk Antenna

(4) SERIAL NO.

00C

(5) PACKING STYLE

T = Tray

(6) WORKING FREQUENCY

1575= 1.575 GHz

PHYCOMP CTC

CAN43934250CI581B

I2NC

43934250CI58

SPECIFICATION

Table I

| DESCRIPTION | VALUE |
|-----------------------|----------------------------------|
| Centre Frequency | 1580 ± 3MHz |
| Bandwidth | 10 MHz (Typ.) |
| Gain | 4.5 dBic (Typ.) |
| VSWR | 1.5 Max.. |
| Polarization | Right Hand Circular Polarization |
| Axis Ratio | ≅ 3 dB |
| Beam Width | > 120 degrees |
| Impedance | 50Ω |
| Operating Temperature | -40~105 °C |

NOTE

1. Based on 70×70 mm² square ground plane.
2. Centre frequency will be offset to working frequency while changes of customer's housing and ground plane.
3. Please contact local sales if you need customized design to gain optimum antenna performance.

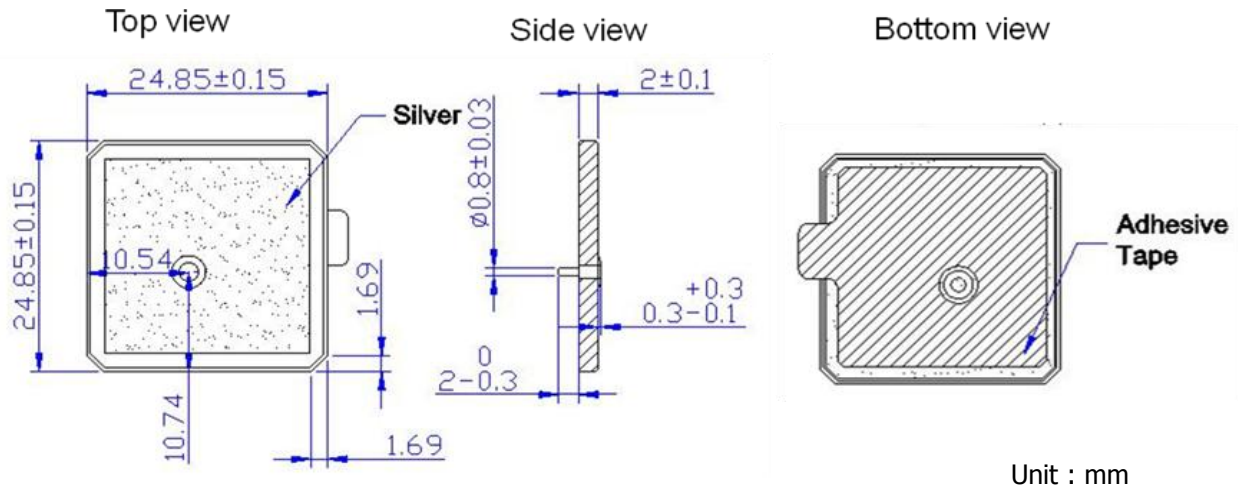


Fig. 1 Mechanical Data

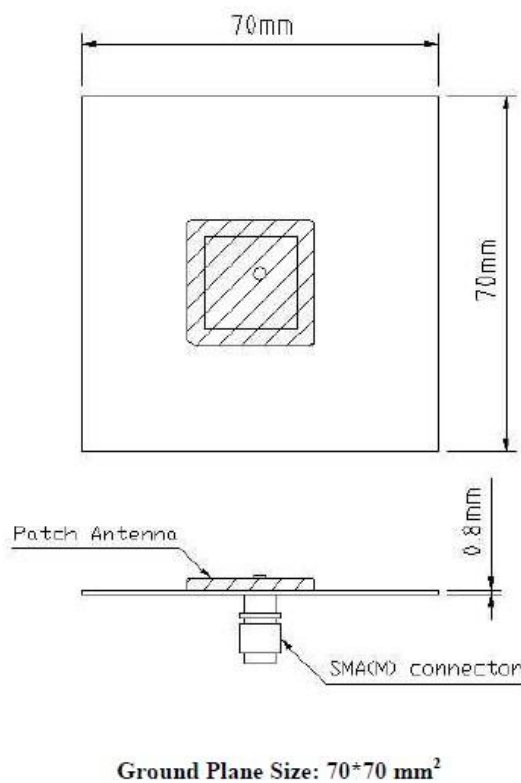


Fig. 2 Evaluation Board

ELECTRICAL PERFORMANCES

| | | | | | |
|------------|--|--------|-------------------|-----------|--------------|
| Trc1 | S11 | dB Mag | 10 dB / Ref-10 dB | Cal | 1 of 1 (Max) |
| Trc2 | S11 | Smith | Ref 1 U | Cal | |
| Mem3[Trc1] | S11 | dB Mag | 10 dB / Ref-10 dB | Invisible | |
| Mem4[Trc2] | S11 | Smith | Ref 1 U | Invisible | |

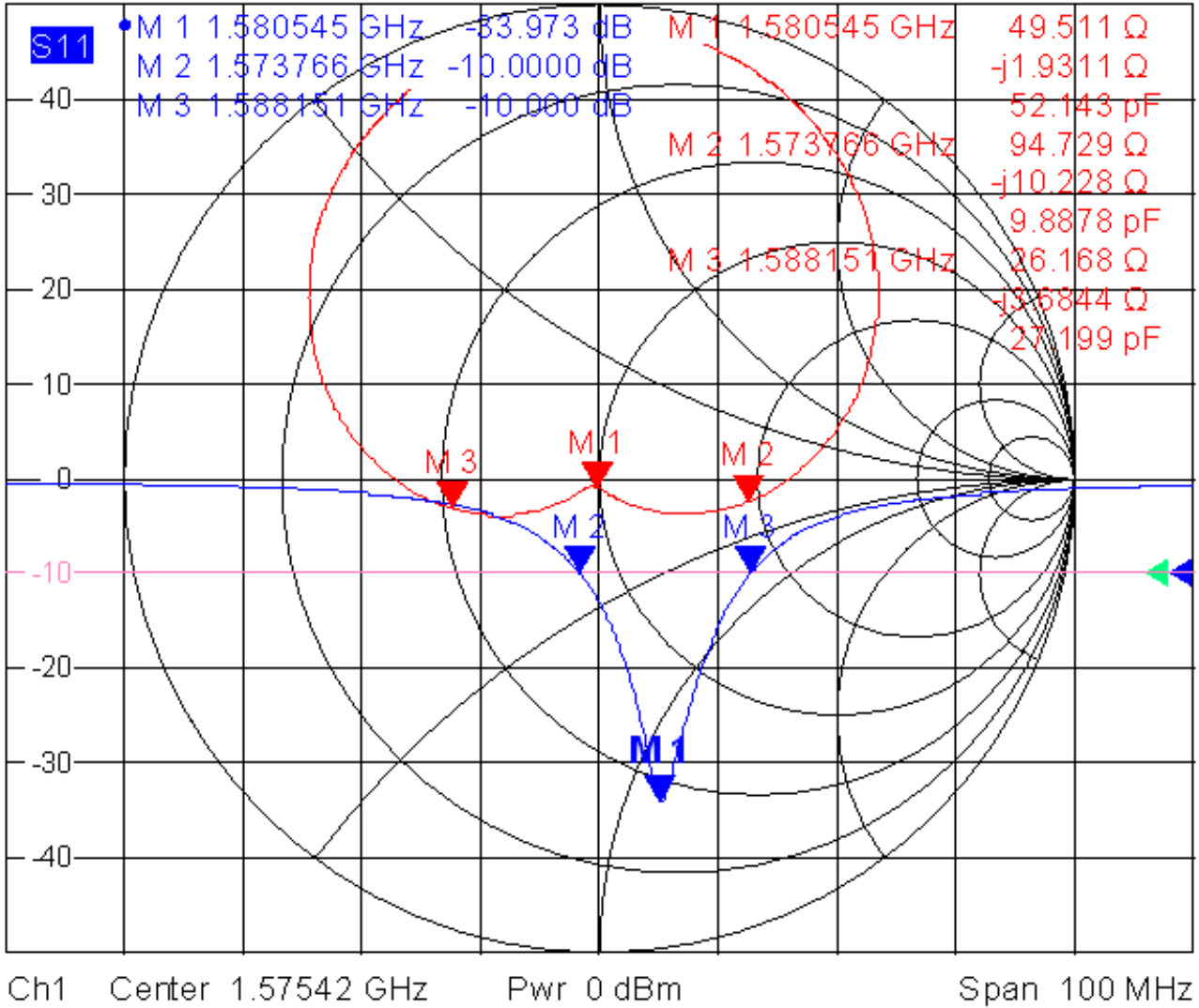
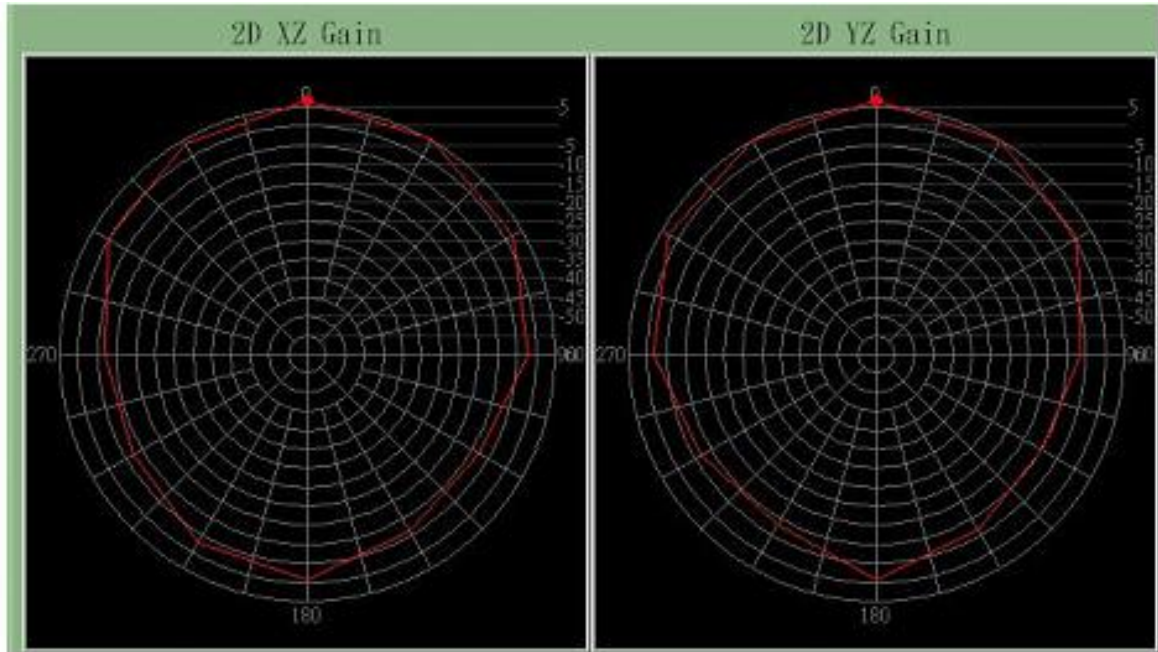
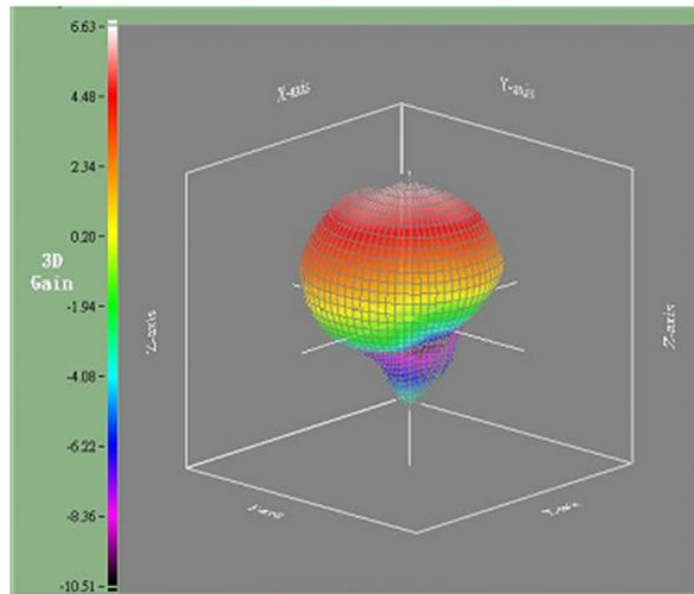


Fig. 3 Return loss



2D x-z plane pattern

2D y-z plane pattern



3D radiation pattern

Fig. 4 Radiation Pattern (Frequency = 1580MHz)

REVISION HISTORY

| REVISION | DATE | CHANGE NOTIFICATION | DESCRIPTION |
|-----------|---------------|---------------------|--|
| Version 0 | Dec. 29, 2014 | - | - New data sheet for Patch antenna, PIN Feed size 25×25×2 mm |

单击下面可查看定价，库存，交付和生命周期等信息

[>>Yageo\(国巨\)](#)