

DATA SHEET

WIRELESS COMPONENTS

Ceramic Patch Antenna
ANT2525B00FTGNSSS
GNSS-GPS & GLONASS & BEIDOU
PIN 25*25*4 MM



FEATURES

- Support BD2 & GPS & Glonass
- High radiation efficiency
- Pin-solder process
- RoHS compliant

APPLICATIONS

- Navigation device
- Telematics box
- Fleet management

ORDERING INFORMATION-

All part numbers are identified by the series, packing type, material, size, antenna type, working frequency and packing quantity.

PART NUMBER

ANT 2525 B 00F T GNSS
 (1) (2) (3) (4) (5) (6)

(1) FAMILY

ANT = Antenna

(2) SIZE

2525 = 25 × 25

(3) ANTENNA TYPE

B = bulk Antenna

(4) SERIAL NO.

00F

(5) PACKING STYLE

T = Tray

(6) WORKING FREQUENCY

GNSS = 1559 ~ 1610 MHz

PHYCOMP CTC

CAN43934250FGNS1B

I2NC

43934250FGNS

SPECIFICATION

Table 1

DESCRIPTION	VALUE
Operating Frequency	1559 ~ 1610 MHz
Gain	5.16 dBic (Typ.)
VSWR	2 Max
Polarization	RHCP
Axis Ratio	≤ 12 dB
BandWidth	52 MHz (Min)
Impedance	50 Ω
Operating Temperature	-40~105 °C

NOTE

1. Based on 70×70 mm² square ground plane.
2. Centre frequency will be offset to working frequency while changes of customer's housing and ground plane.
3. Please contact local sales if you need customized design to gain optimum antenna performance.

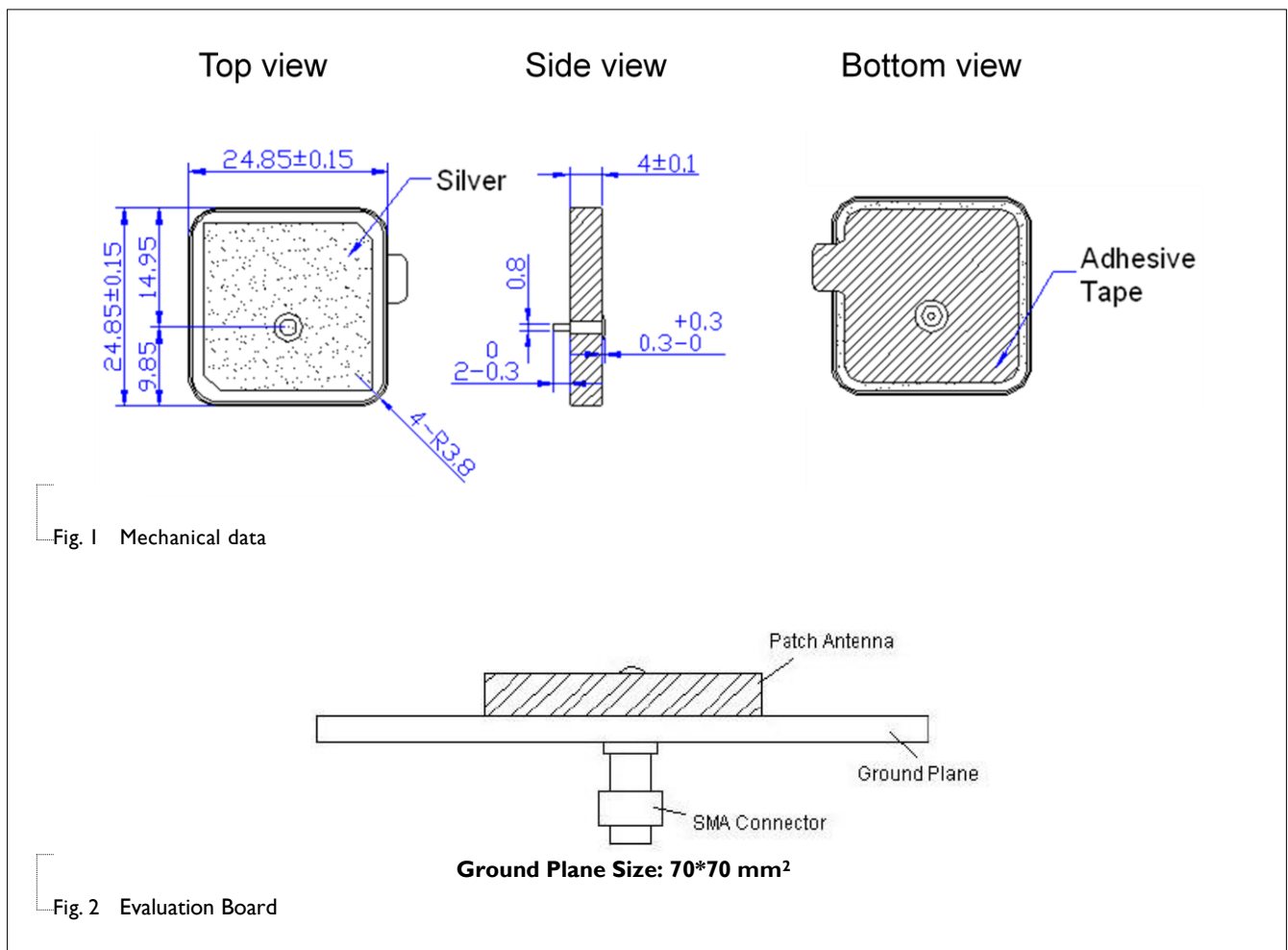
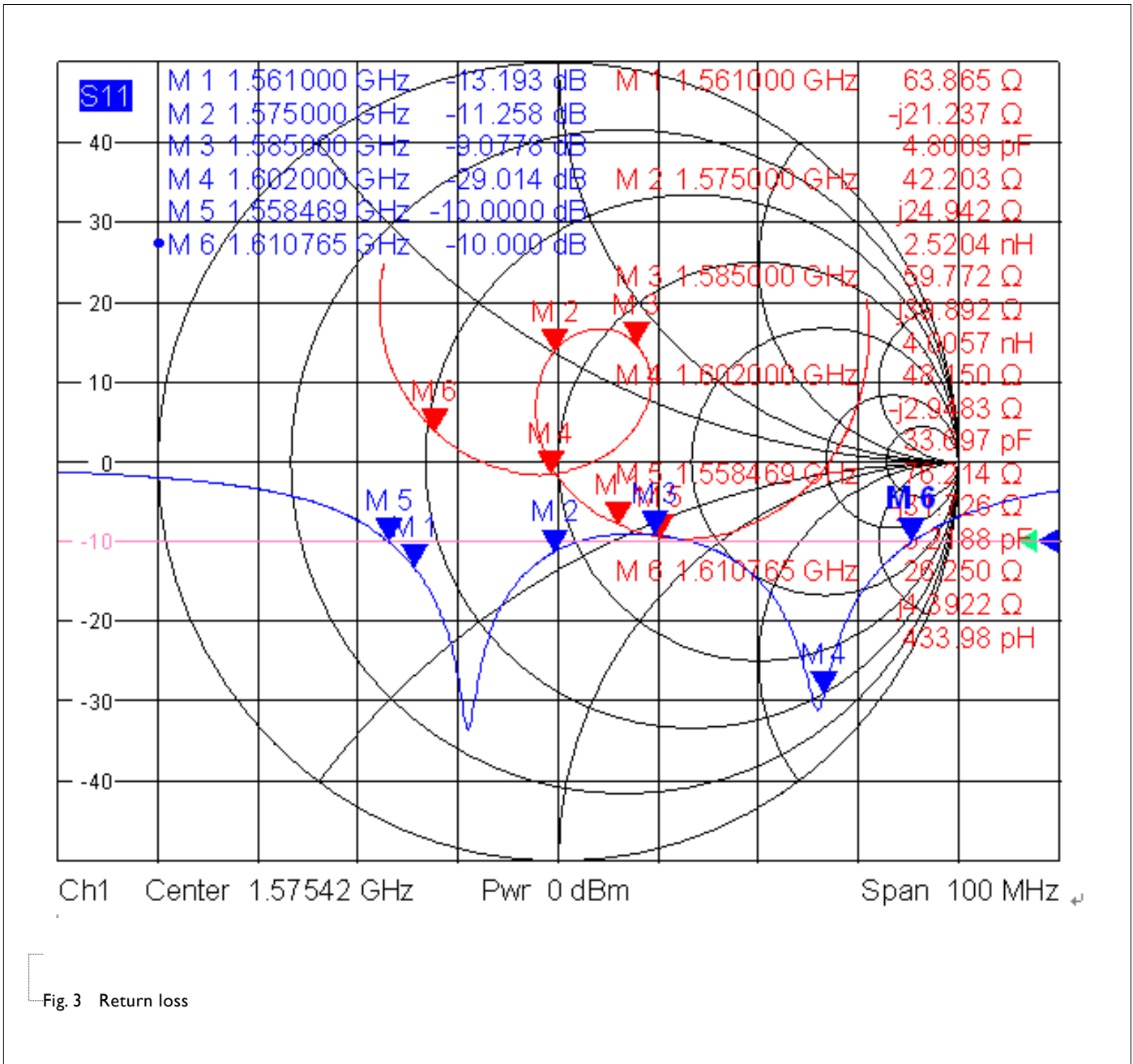


Fig. 1 Mechanical data

Fig. 2 Evaluation Board

ELECTRICAL PERFORMANCES



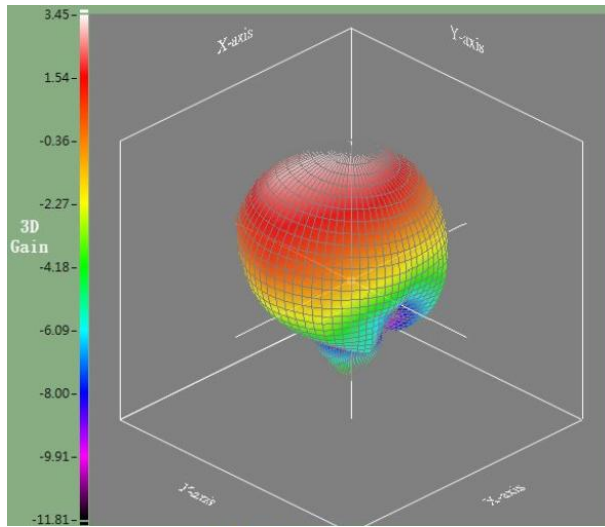


Fig. 4 Radiation Pattern (Frequency = 1559 MHz)

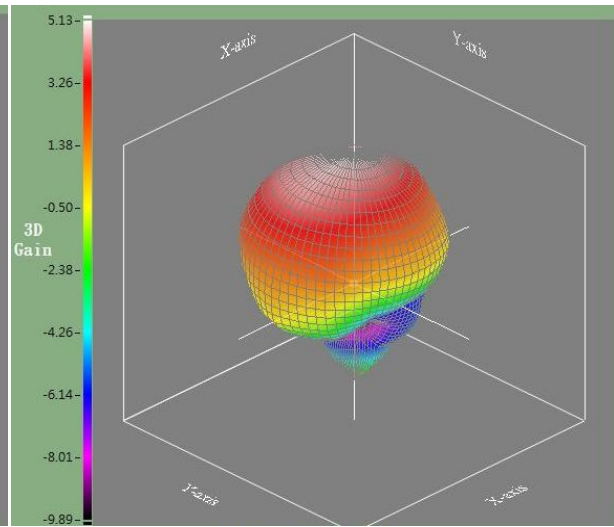


Fig 5 Radiation Pattern (Frequency = 1575 MHz)

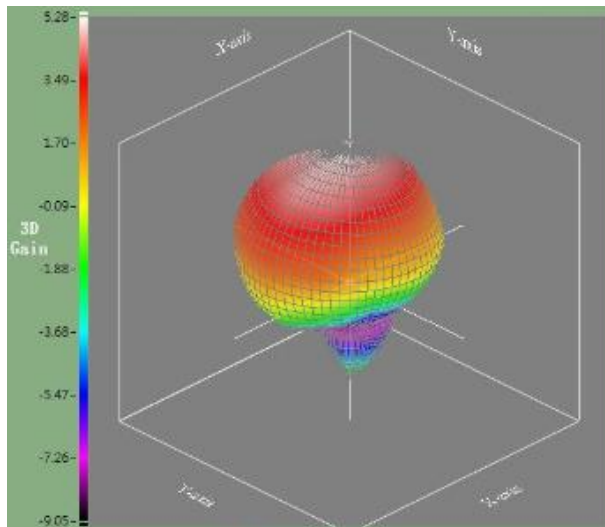


Fig. 6 Radiation Pattern (Frequency = 1585 MHz)

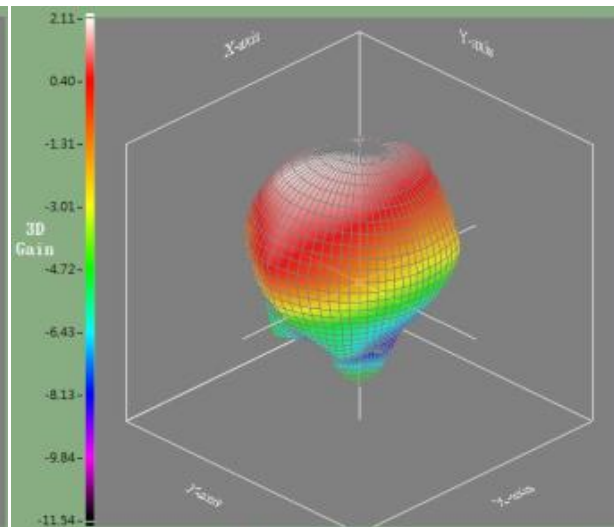


Fig. 7 Radiation Pattern (Frequency = 1602 MHz)

REVISION HISTORY

REVISION	DATE	CHANGE NOTIFICATION	DESCRIPTION
Version 0	Jul. 17, 2015	-	- New data sheet for GNSS Patch antenna, PIN Feed size 25*25*4 mm

单击下面可查看定价，库存，交付和生命周期等信息

[>>Yageo\(国巨\)](#)