

DATA SHEET

HIGH FREQUENCY
SMD type antenna
for BT/802.11b/g application

2.45 GHz
7020 Series



FEATURES

- Omini directional radiation
- Compact size design
- Suitable for wave and reflow soldering
- RoHS compliant

APPLICATIONS

- Bluetooth, WLAN
- 2.4 GHz ISM Band

ORDERING INFORMATION-GLOBAL PART NUMBER, PHYCOMP CTC & I2NC

All part numbers are identified by the series, packing type, material, size, antenna type, working frequency and packing quantity.

YAGEO BRAND ordering code
GLOBAL PART NUMBER (PREFERRED)

CAN43 11 7 72 05 245 2K
(1) (2) (3) (4) (5) (6) (7)

(1) FAMILY

CAN43 = Antenna products

(2) PACKING STYLE

11 = Reel

(3) MATERIALS

Material Code 7

(4) SIZE

72 = 7.0 * 2.0

(5) ANTENNA TYPE

05 = Type 05

07 = Type 07

(6) WORKING FREQUENCY

245 = 2.4 ~ 2.5 GHz

(7) PACKING QUANTITY

2K = 2,000 pcs per reel

ELECTRICAL CHARACTERISTICS

Table 1

DESCRIPTION	VALUE
Centre Frequency	2.45 GHz
Bandwidth	420 MHz (Typ.)
Return Loss	10 dB min
Polarization	Linear
Azimuth Beamwidth	Omni-directional
Peak Gain	2.62 dBi (Typ.)
Impedance	50 Ω
Operating Temperature	- 40 °C to +85 °C
Maximum Power	1 W
Termination	Ni / Sn (Environmentally-Friendly Leadless)
Resistance to Soldering Heats	260°C , 10sec.

NOTE

I. The specification is defined on Yageo evaluation board

DIMENSIONS

Table 2 Machinical Dimension

TYPE	DIMENSION
L (mm)	7.02 ±0.20
W (mm)	2.02 ±0.20
T (mm)	0.76 ±0.20
A (mm)	0.45 ±0.20

OUTLINES

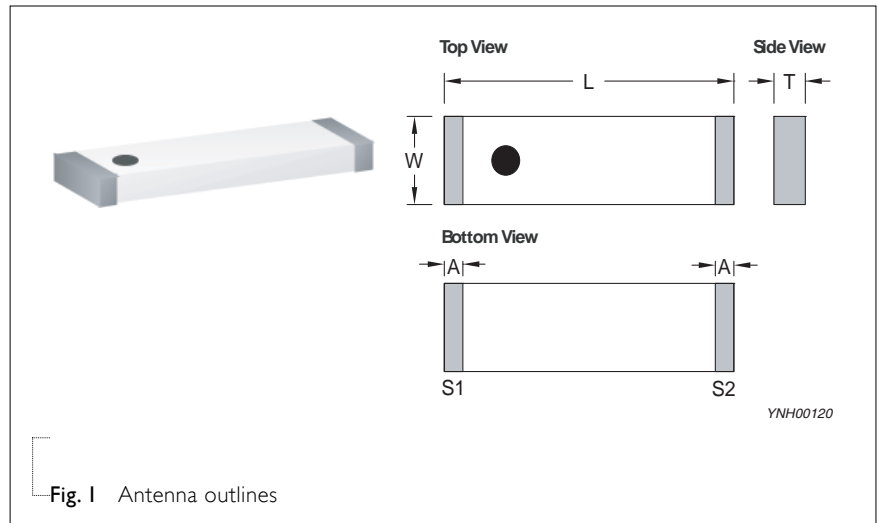


Fig. 1 Antenna outlines

Table 3 Termination configuration

TERMINAL NAME	FUNCTION
S1	Feeding Point
S2	Soldering Point

FOOTPRINT DIMENSIONS

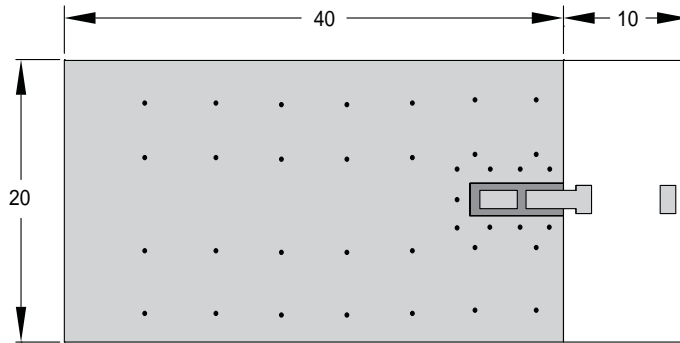


Fig. 3 Outlook and dimension of evaluation board

Unit : mm

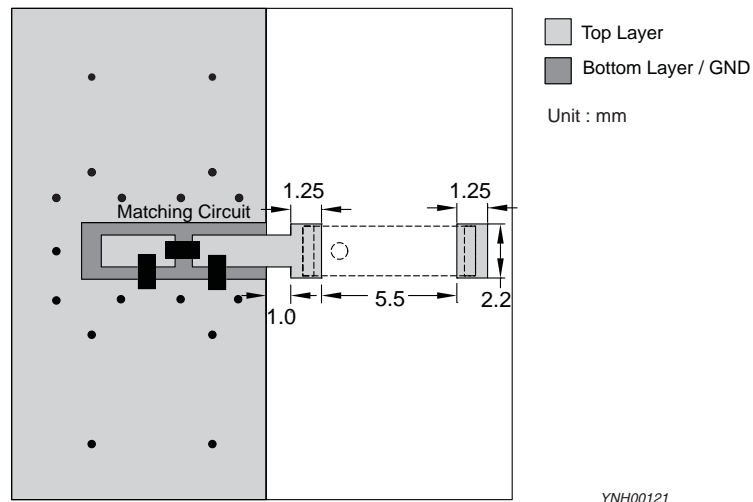


Fig. 4 Dimension of footprint

YNH00121

ELECTRICAL PERFORMERS

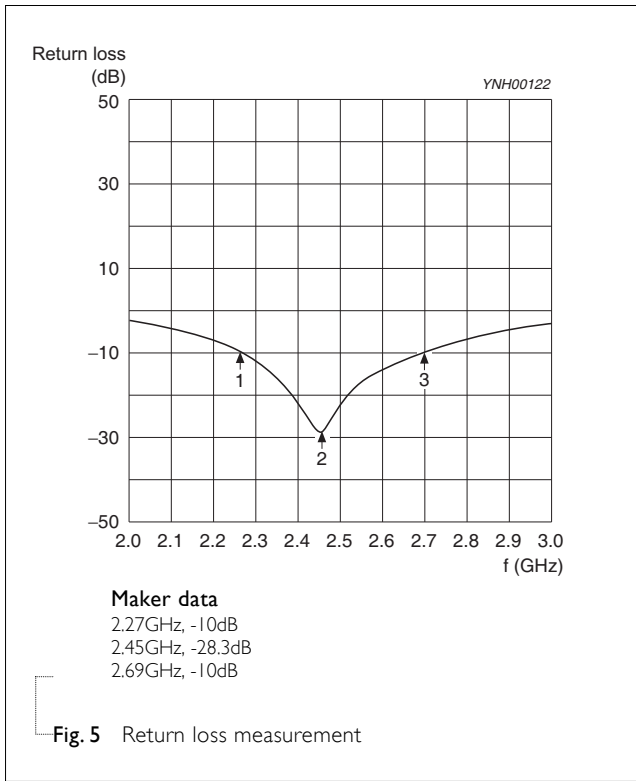


Fig. 5 Return loss measurement

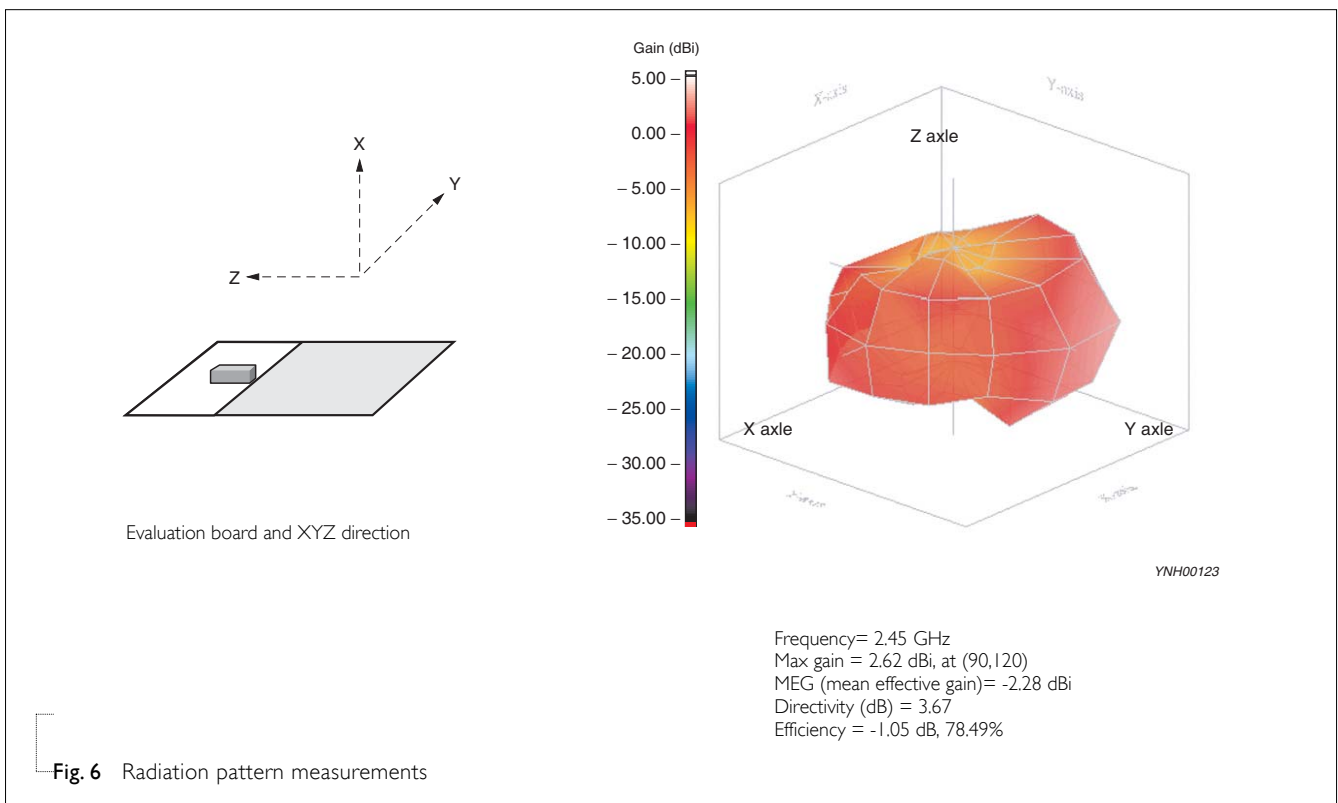


Fig. 6 Radiation pattern measurements

REVISION HISTORYREVISION DATE CHANGE NOTIFICATION DESCRIPTION

Version 0	Dec. 03, 2012	-	- New data sheet for SMD type antenna, 2.45GHz application, 7020 series
-----------	---------------	---	---

单击下面可查看定价，库存，交付和生命周期等信息

[>>Yageo\(国巨\)](#)