

# DATA SHEET

## WIRELESS COMPONENTS

Ceramic Patch Antenna  
ANT2525B00FT2400S

2.4 – 2.5 GHz

PIN 25x25x4 mm



FEATURES

- High radiation efficiency
- Pin-solder process
- RoHS compliant

APPLICATIONS

- Navigation device
- Telematics box
- Fleet management

ORDERING INFORMATION

All part numbers are identified by the series, packing type, material, size, antenna type, working frequency and packing quantity.

**PART NUMBER**

**ANT 2525 B 00F T 2400S**  
 (1) (2) (3) (4) (5) (6)

---

**(1) PRODUCT**

ANT = Antenna

---

**(2) SIZE**

2525 = 25 x 25 mm

---

**(3) ANTENNA TYPE**

B= Bulk antenna

---

**(4) SERIAL NO.**

00F

---

**(5) PACKING STYLE**

T = Tray

---

**(6) WORKING FREQUENCY**

2400= 2.45 GHz

---

**PHYCOMP CTC**

CAN43934250F2541B

---

**I2NC**

43934250F254

---

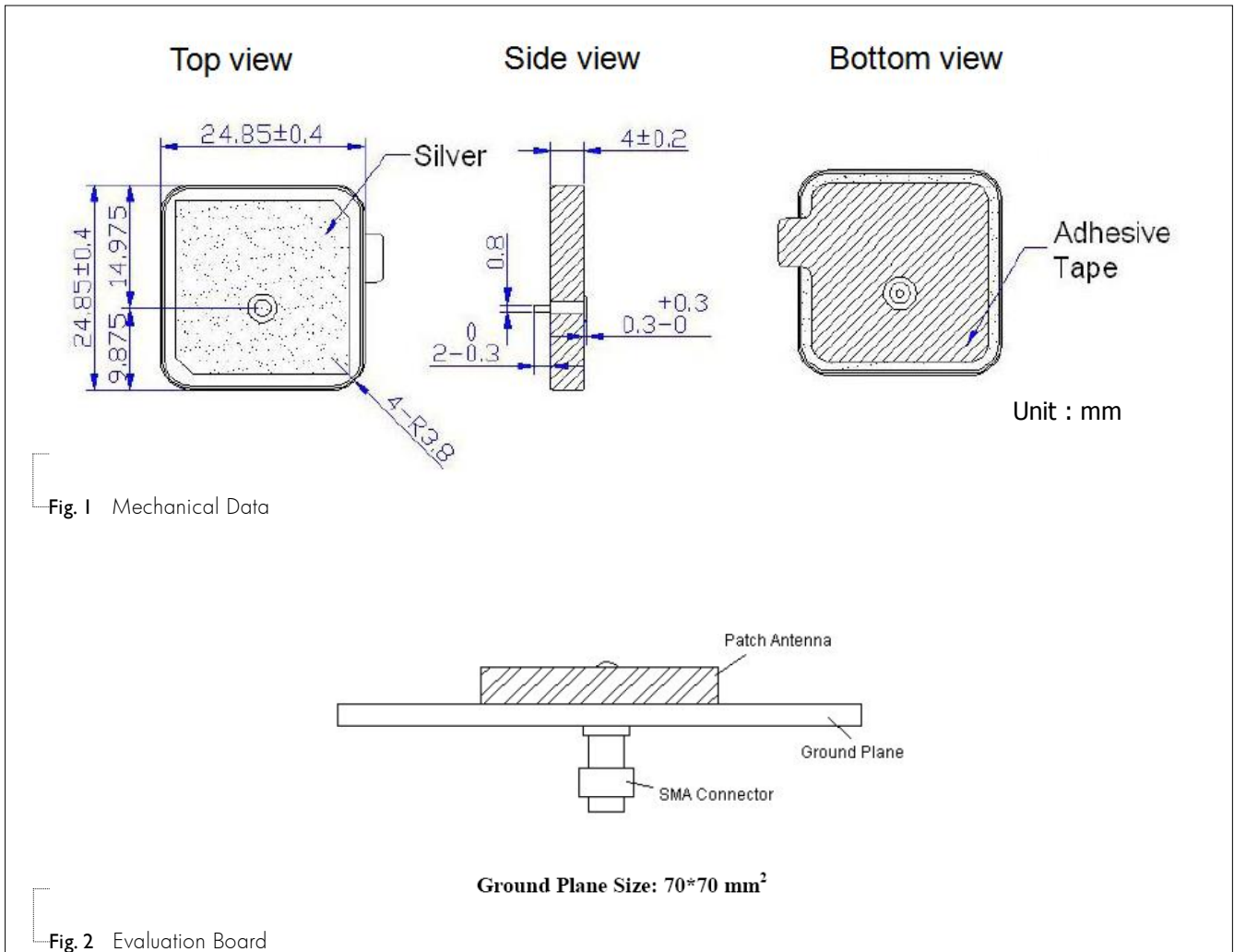
**SPECIFICATION**

Table I

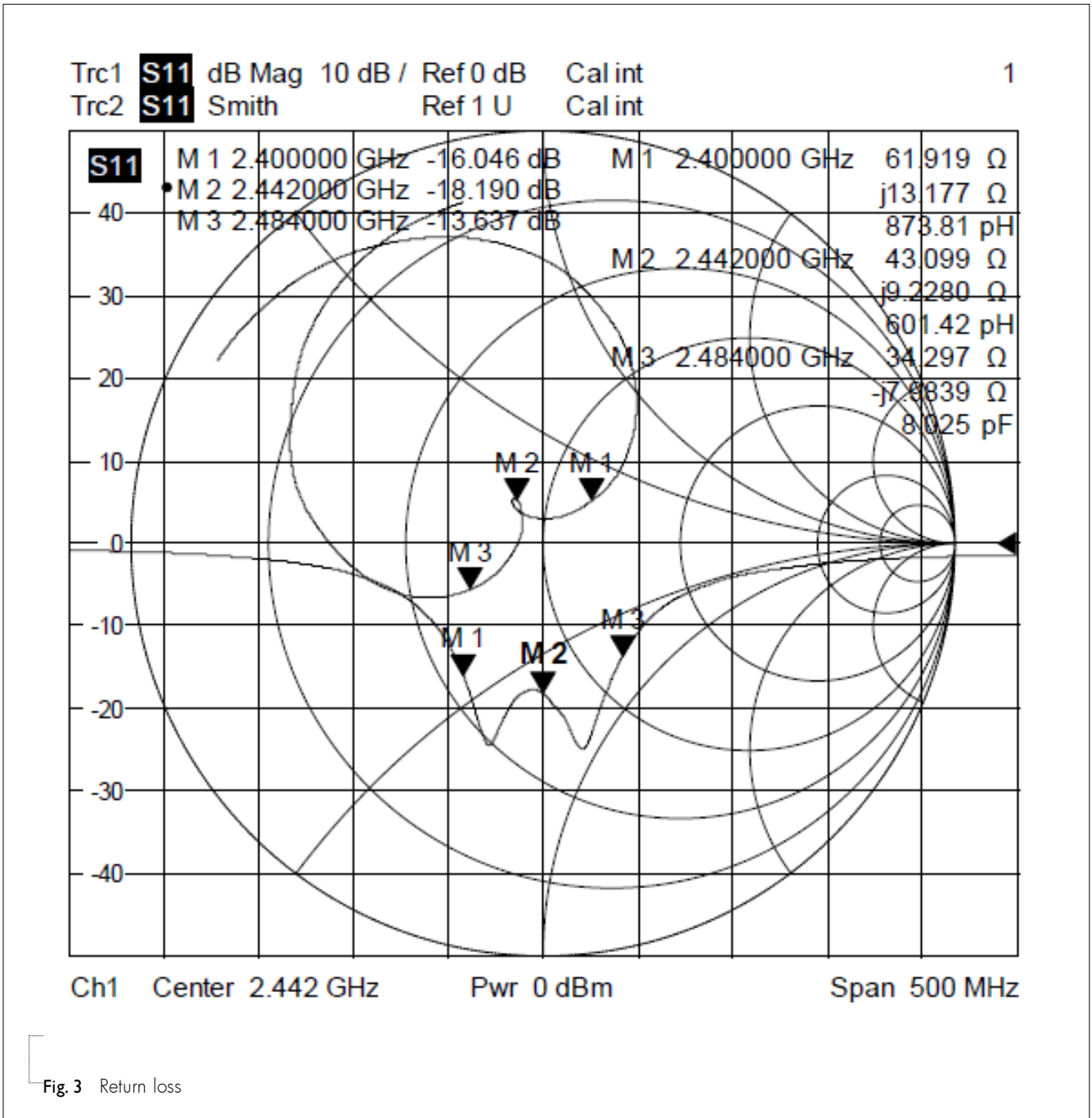
DESCRIPTION	VALUE
Centre Frequency	2400 - 2500 MHz
Bandwidth	>100 MHz (@-7dB)
Gain	7.0 dBi (Typ.)
VSWR	3 Max.
Polarization	Linear Polarization
Impedance	50Ω
Operating Temperature	-40~105 °C

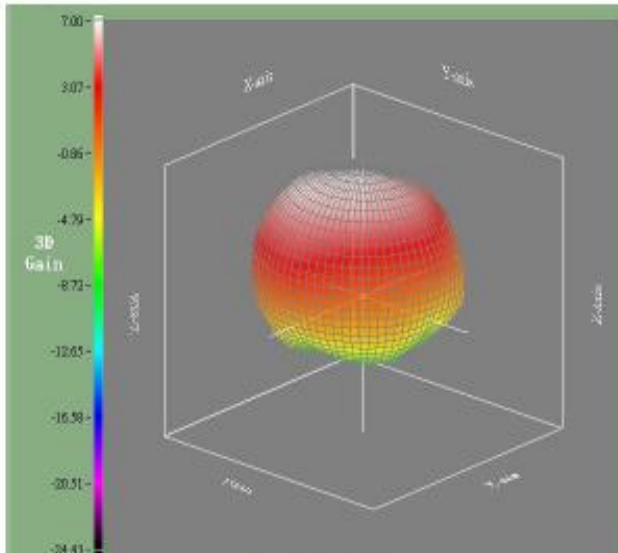
**NOTE**

1. Based on 70×70 mm<sup>2</sup> square ground plane.
2. Centre frequency will be offset to working frequency while changes of customer's housing and ground plane.
3. Please contact local sales if you need customized design to gain optimum antenna performance.

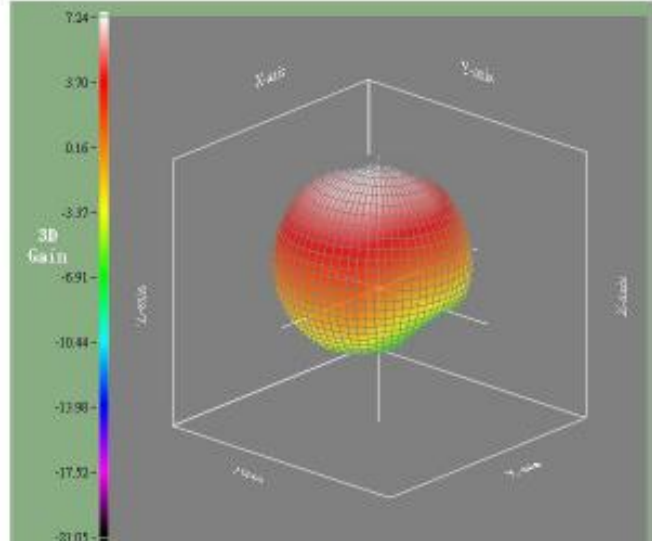


ELECTRICAL PERFORMANCES

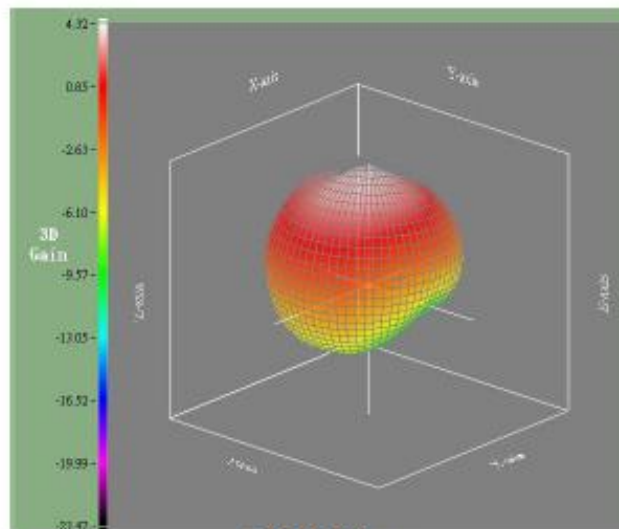




**2400 MHz**



**2450 MHz**



**2484 MHz**

Fig. 4 Radiation Pattern)

**REVISION HISTORY**

REVISION	DATE	CHANGE NOTIFICATION	DESCRIPTION
----------	------	---------------------	-------------

Version 0	Nov. 11, 2015 -		- New data sheet for Patch antenna, PIN Feed size 25 x 25 x 4 mm
-----------	-----------------	--	--

单击下面可查看定价，库存，交付和生命周期等信息

[>>Yageo\(国巨\)](#)