

DATA SHEET

WIRELESS COMPONENTS

Ceramic Patch Antenna
ANT2525B00AT1575S

GPS
SMD 25 x 25 x 2 mm



FEATURES

- Compact size
- High radiation efficiency
- Tape & reel automatic mounting
- Reflow process compatible
- RoHS compliant

APPLICATIONS

- Navigation device
- Telematics box
- Fleet management

ORDERING INFORMATION

All part numbers are identified by the series, packing type, material, size, antenna type, working frequency and packing quantity.

PART NUMBER

ANT 2525 B 00A T I575S
 (1) (2) (3) (4) (5) (6)

(1) PRODUCT

ANT = Antenna

(2) SIZE

2525 = 25 × 25 mm

(3) ANTENNA TYPE

B = Bulk antenna

(4) SERIAL NO.

00A

(5) PACKING STYLE

T = Tray

(6) WORKING FREQUENCY

I575 = 1.575GHz

PHYCOMP CTC

CAN43934250A1581B

I2NC

43934250A158

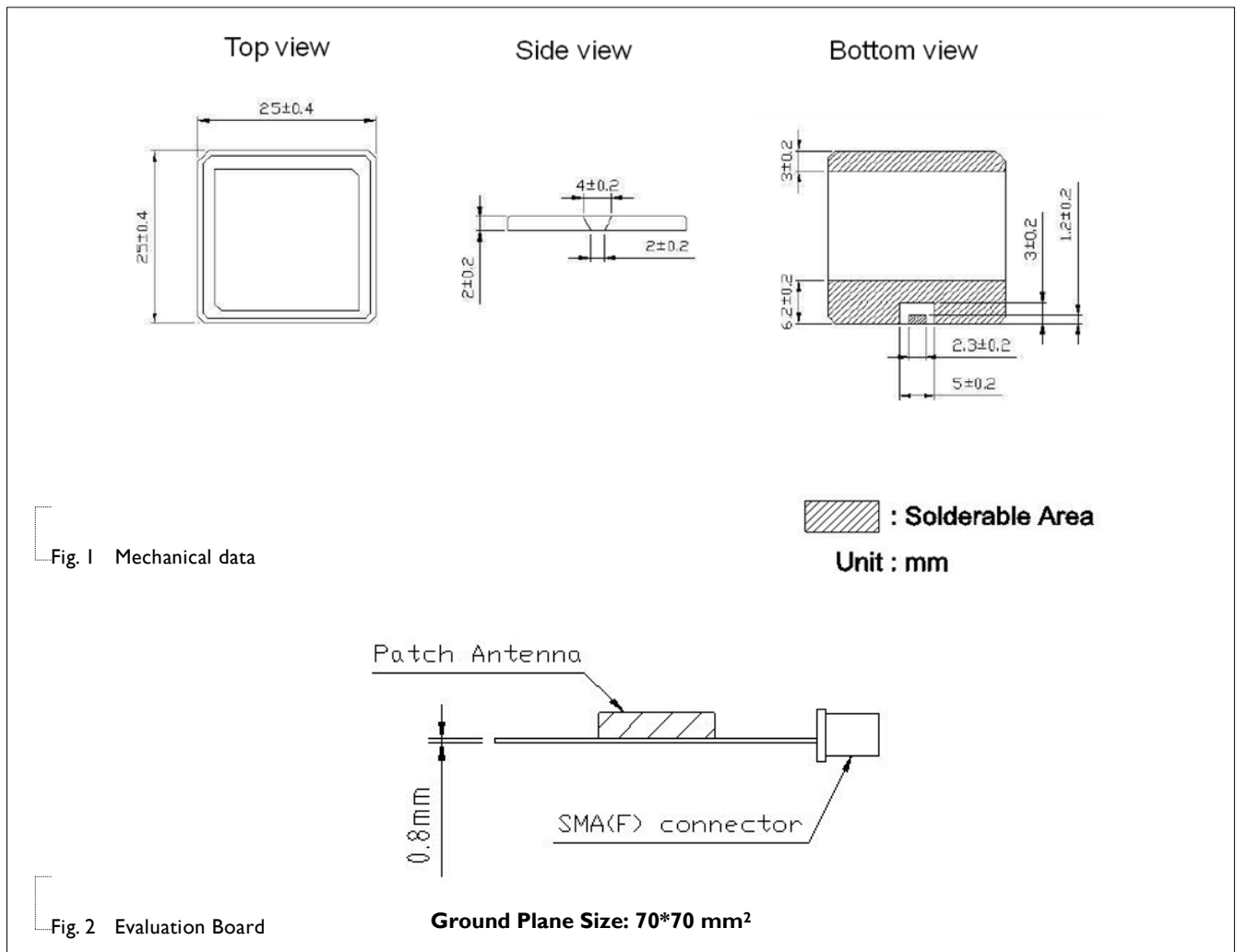
SPECIFICATION

Table 1

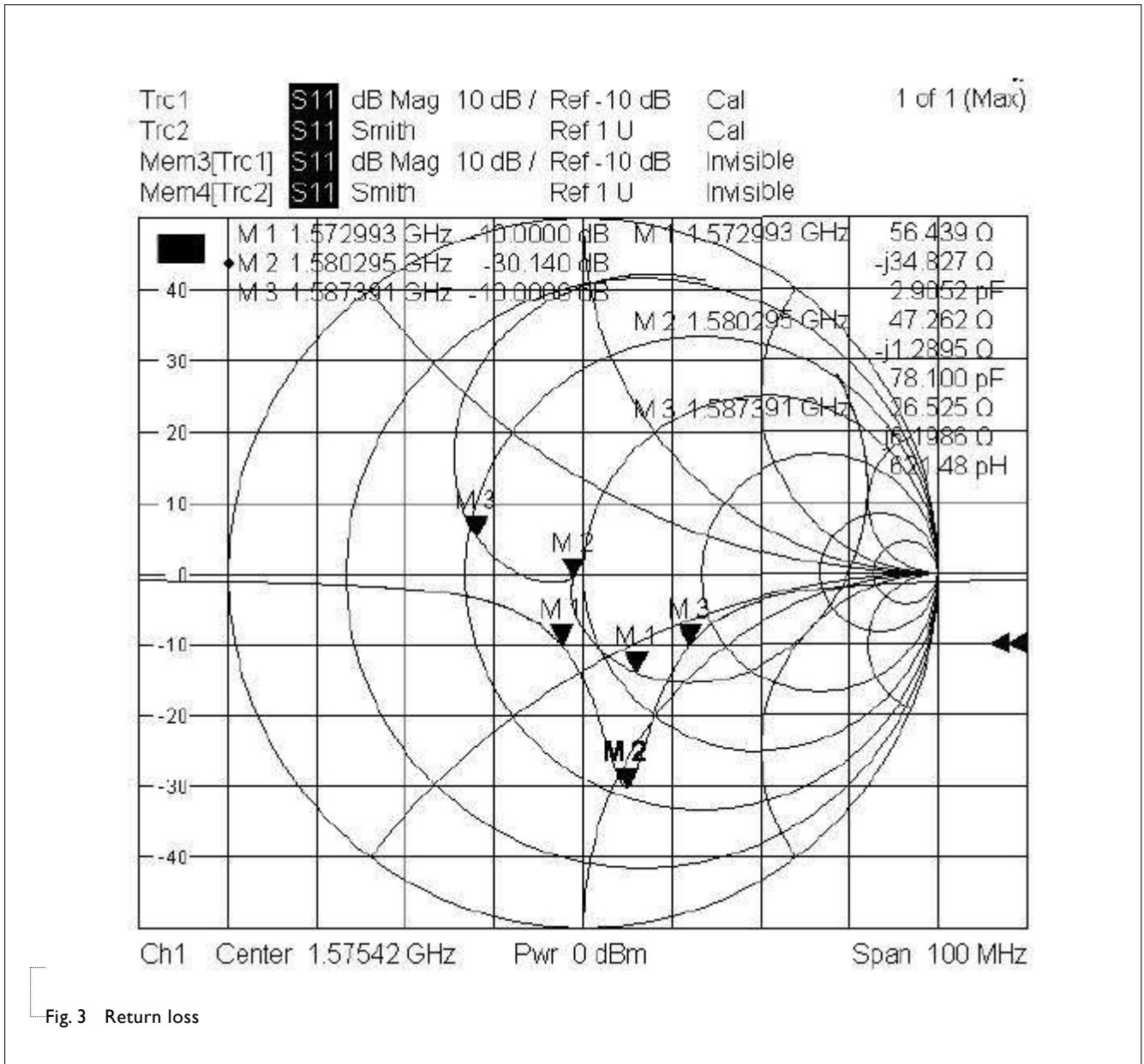
DESCRIPTION	VALUE
Centre Frequency	1580 ± 3 MHz
Bandwidth	10 MHz (Typ.)
Gain	5 dBic (Typ.)
VSWR	1.5 Max
Polarization	Right Hand Circular Polarization
Axis Ratio	≤ 3dB
Beam Width	> 120 degrees
Impedance	50Ω
Operating Temperature	-40~105 degree

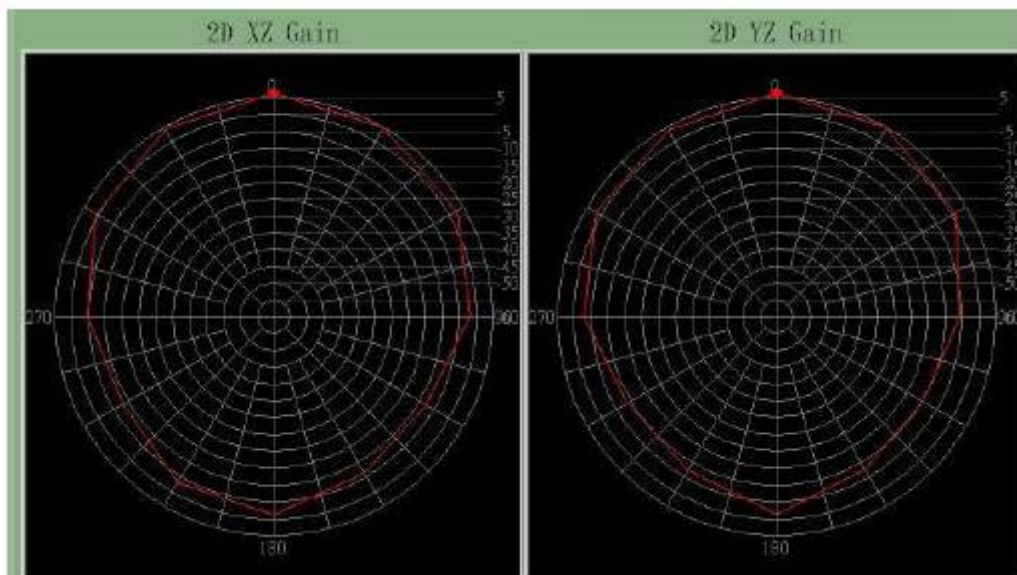
NOTE

1. Based on 50*50mm² square ground plane.
2. Centre frequency will be offset to working frequency while changes of customer's housing and ground plane.
3. Please contact local sales if you need customized design to gain optimum antenna performance.



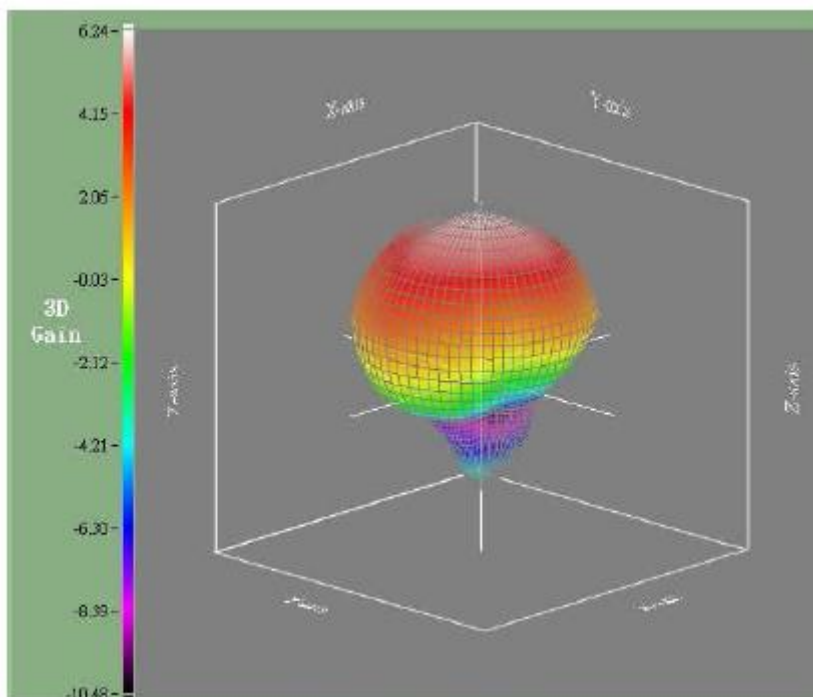
ELECTRICAL PERFORMANCES





2D x-z plane pattern

2D y-z plane pattern



3D radiation pattern

Fig. 4 Radiation Pattern (Frequency = 1580MHz)

REVISION HISTORY

REVISION	DATE	CHANGE NOTIFICATION	DESCRIPTION
Version 0	Feb. 01, 2016	-	- New data sheet for Patch antenna, SMD Feed size 25 ×25 ×2 mm

单击下面可查看定价，库存，交付和生命周期等信息

[>>Yageo\(国巨\)](#)