

DATA SHEET

WIRELESS COMPONENTS
Ceramic Chip Antenna
ANT9520LL06R2400A
2.4-2.5 GHz
9520 Series



FEATURES

- Compact size
- Omni-directional Radiation
- Tape & reel automatic mounting
- Reflow process compatible
- RoHS compliant

APPLICATIONS

- 2.4 GHz WiFi device
- Bluetooth gadget
- Zigbee device
- ISM band equipment

ORDERING INFORMATION

All part numbers are identified by the series, packing type, material, size, antenna type, working frequency and packing quantity.

PART NUMBER

ANT 9520 L L06 R 2400A
 (1) (2) (3) (4) (5) (6)

(1) PRODUCT

ANT = Antenna

(2) SIZE

9520 = 9.5 x 2.0 mm

(3) ANTENNA TYPE

L,F,A = Chip Antenna

(4) SERIAL NO.

L06

(5) PACKING STYLE

R = Tape and Reel

(6) WORKING FREQUENCY

2400 = 2.4 GHz

PHYCOMP CTC

CAN431179506245K

I2NC

431179506245

SPECIFICATION

Table I

DESCRIPTION	VALUE
Centre Frequency	2.45 GHz
Bandwidth	340 MHz (Typ.)
Return Loss	7.36 dB min
Polarization	Linear
Azimuth Beamwidth	Omni-directional
Peak Gain	2.85 dBi (Typ.)
Impedance	50 Ω
Operating Temperature	- 40~105 °C
Maximum Power	1 W
Termination	Ni / Sn (Environmentally-Friendly Leadless)
Resistance to Soldering Heats	260°C , 10sec.

NOTE

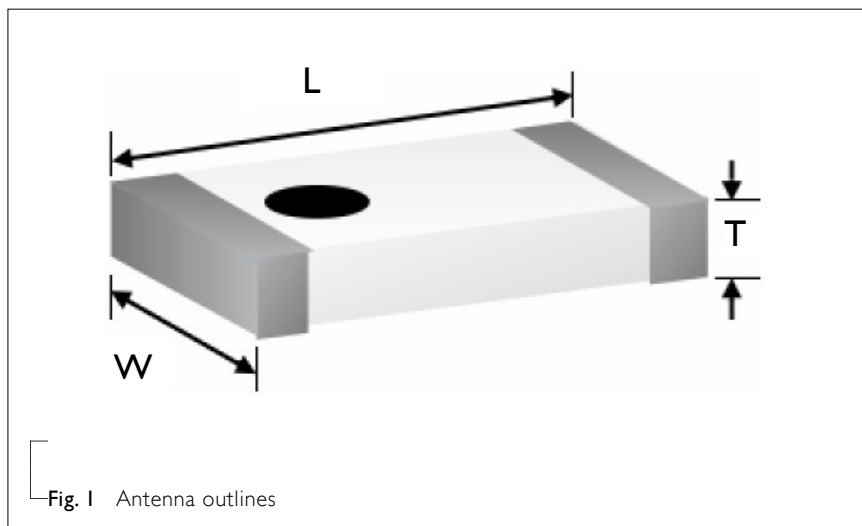
I. The specification is defined on Yageo evaluation board

DIMENSIONS

Table 2 Machinical Dimension

	DIMENSION
L (mm)	9.50 ±0.20
W (mm)	2.00 ±0.20
T (mm)	1.10 ±0.20

OUTLINES



REFERENCE DESIGN OF EVALUATION BOARD

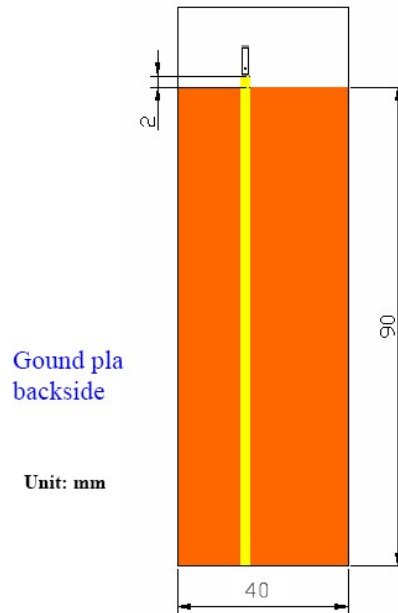


Fig. 2 Outlook and dimension of evaluation board

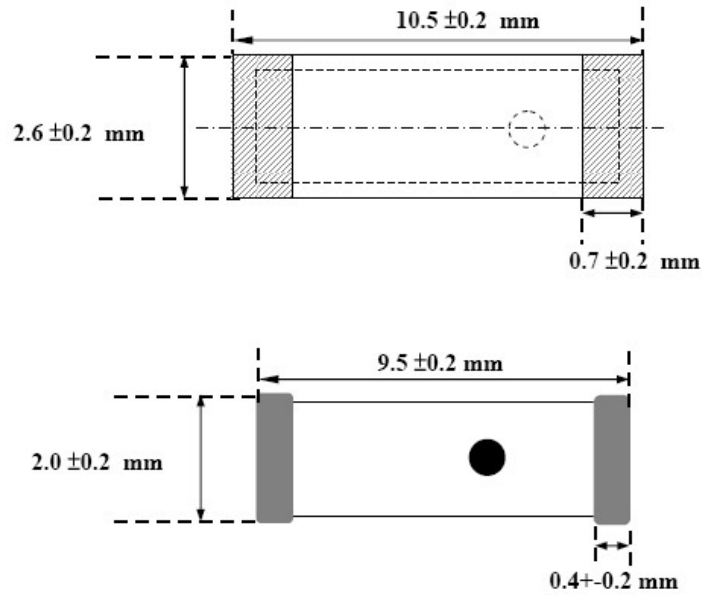


Fig. 3 Details of soldering Pad

ELECTRICAL PERFORMANCES

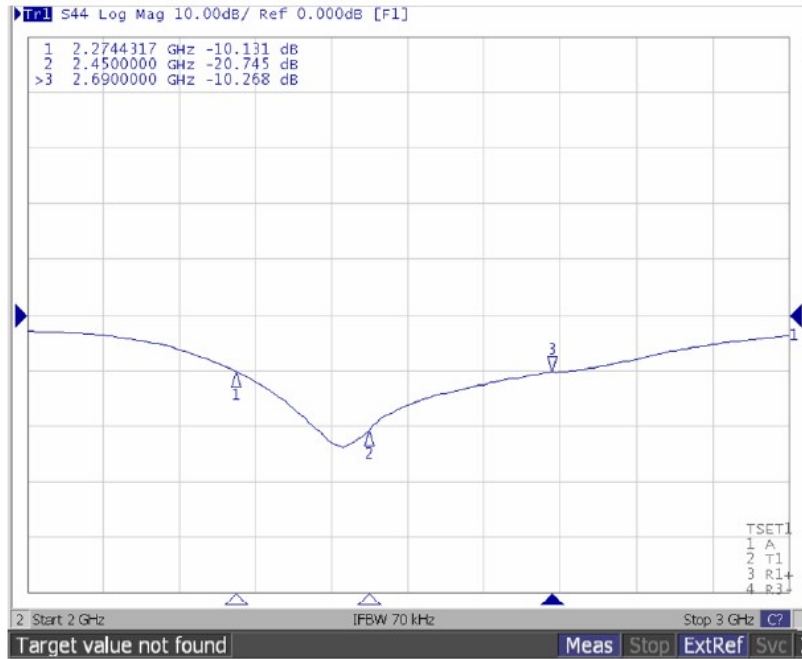


Fig. 4 Return loss

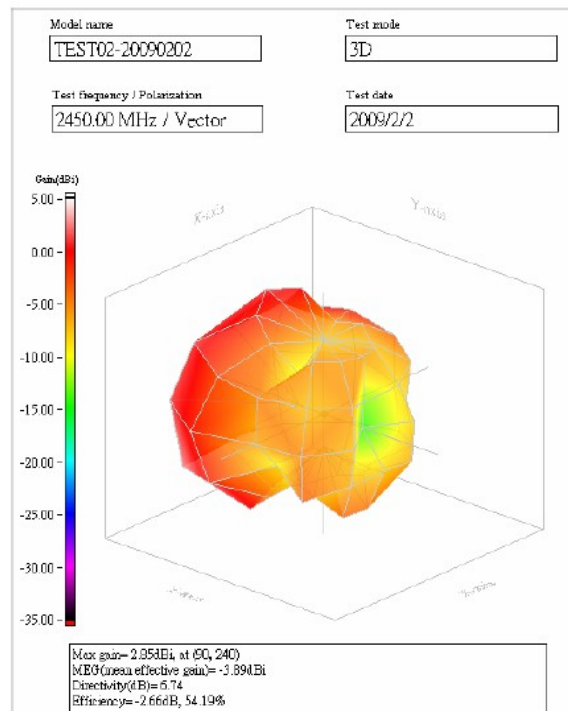


Fig. 5 Radiation pattern

REVISION HISTORY

REVISION	DATE	CHANGE NOTIFICATION	DESCRIPTION
Version 0	Jan. 23, 2014	-	- New data sheet for Ceramic Chip Antenna, 2.45 GHZ, size 9.5x2.0 mm
Version 1	Feb. 18, 2014		- Update mechanical Dimension

单击下面可查看定价，库存，交付和生命周期等信息

[>>Yageo\(国巨\)](#)