

# DATA SHEET

## WIRELESS COMPONENTS

Ceramic Patch Antenna  
ANT1010B00FT1575S

GPS

PIN 10 × 10 × 4 MM



FEATURES

- High radiation efficiency
- Pin-solder process
- RoHS compliant

APPLICATIONS

- Navigation device
- Telematics box
- Fleet management

ORDERING INFORMATION

All part numbers are identified by the series, packing type, material, size, antenna type, working frequency and packing quantity.

**PART NUMBER**

**ANT 1010 B 00F T 1575S**  
 (1) (2) (3) (4) (5) (6)

---

**(1) PRODUCT**

ANT = Antenna

---

**(2) SIZE**

1010 = 10 × 10 mm

---

**(3) ANTENNA TYPE**

B = Bulk Antenna

---

**(4) SERIAL NO.**

00F

---

**(5) PACKING STYLE**

T = Tray

---

**(6) WORKING FREQUENCY**

1575 = 1.575 GHz

---

**PHYCOMP CTC**

CAN43934200F1581B

---

**I2NC**

43934200F158

---

**SPECIFICATION**

Table 1

DESCRIPTION	VALUE
Centre Frequency	1580 ± 3MHz
Bandwidth	5 MHz (Typ.)
Gain	-2.5 dBic (Typ.)
VSWR	2.0 Max.
Polarization	Right Hand Circular Polarization
Axis Ratio	≤ 3 dB
Impedance	50Ω
Operating Temperature	-40~105 °C

**NOTE**

1. Based on 30×30 mm<sup>2</sup> square ground plane.
2. Centre frequency will be offset to working frequency while changes of customer's housing and ground plane.
3. Please contact local sales if you need customized design to gain optimum antenna performance.

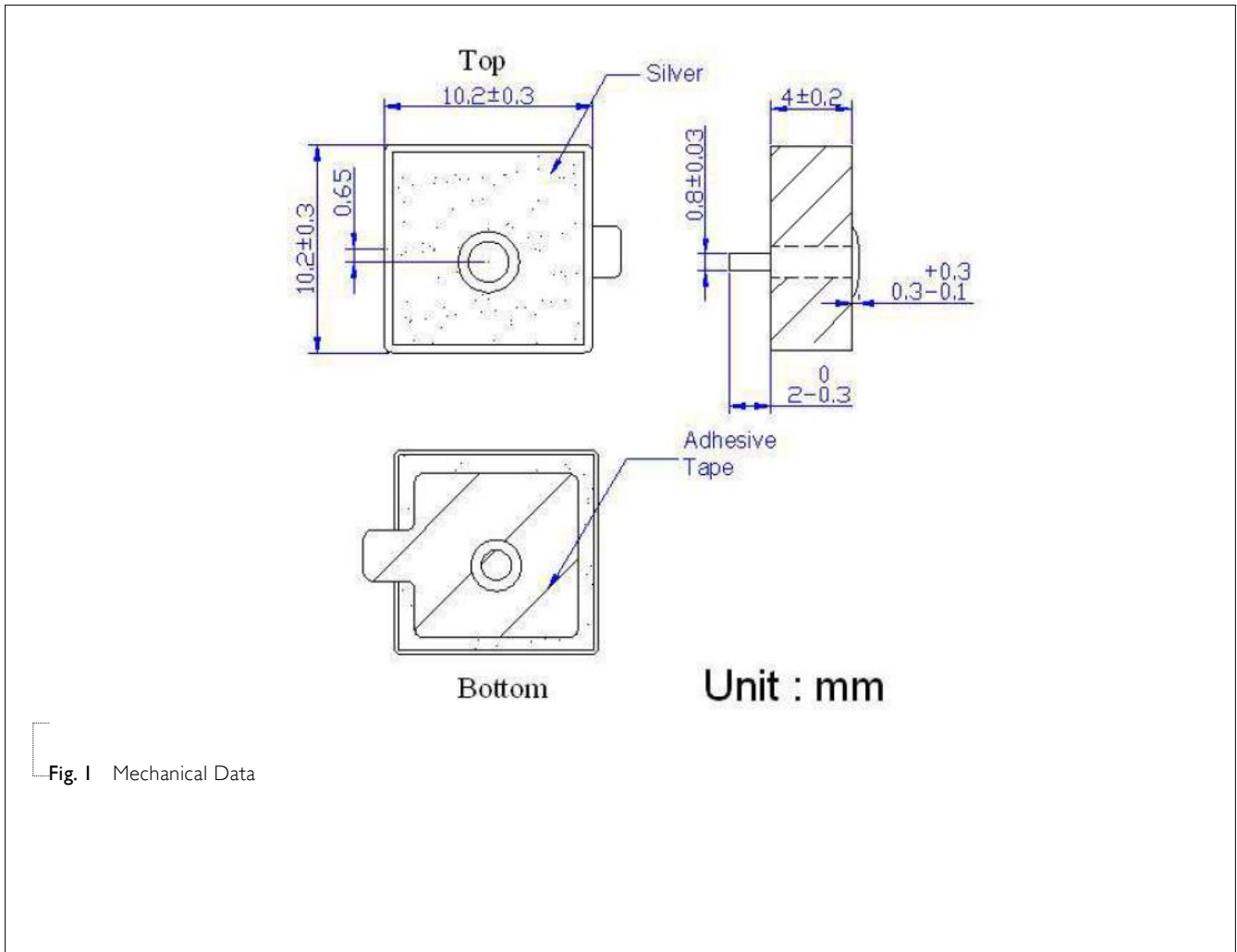
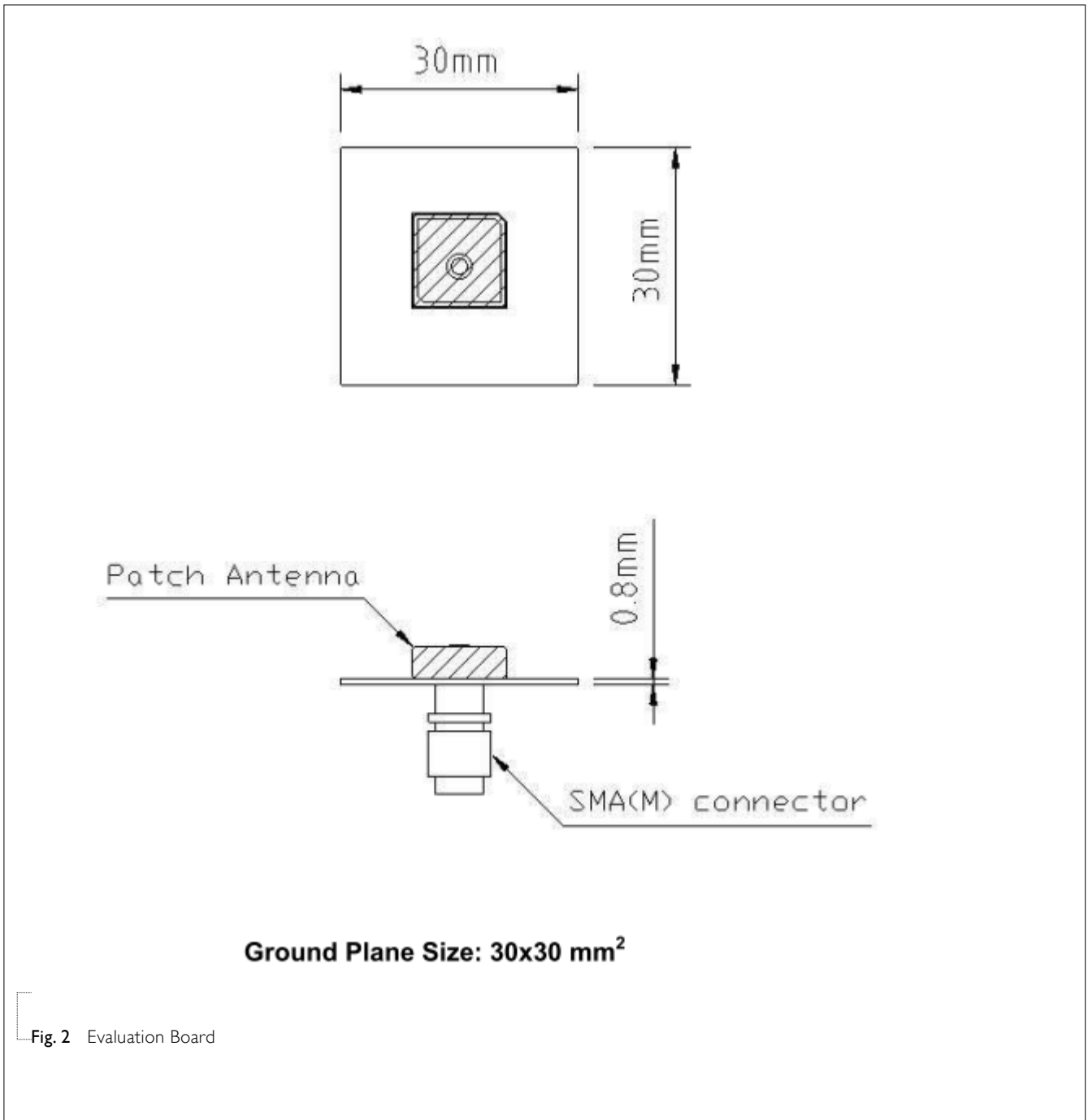
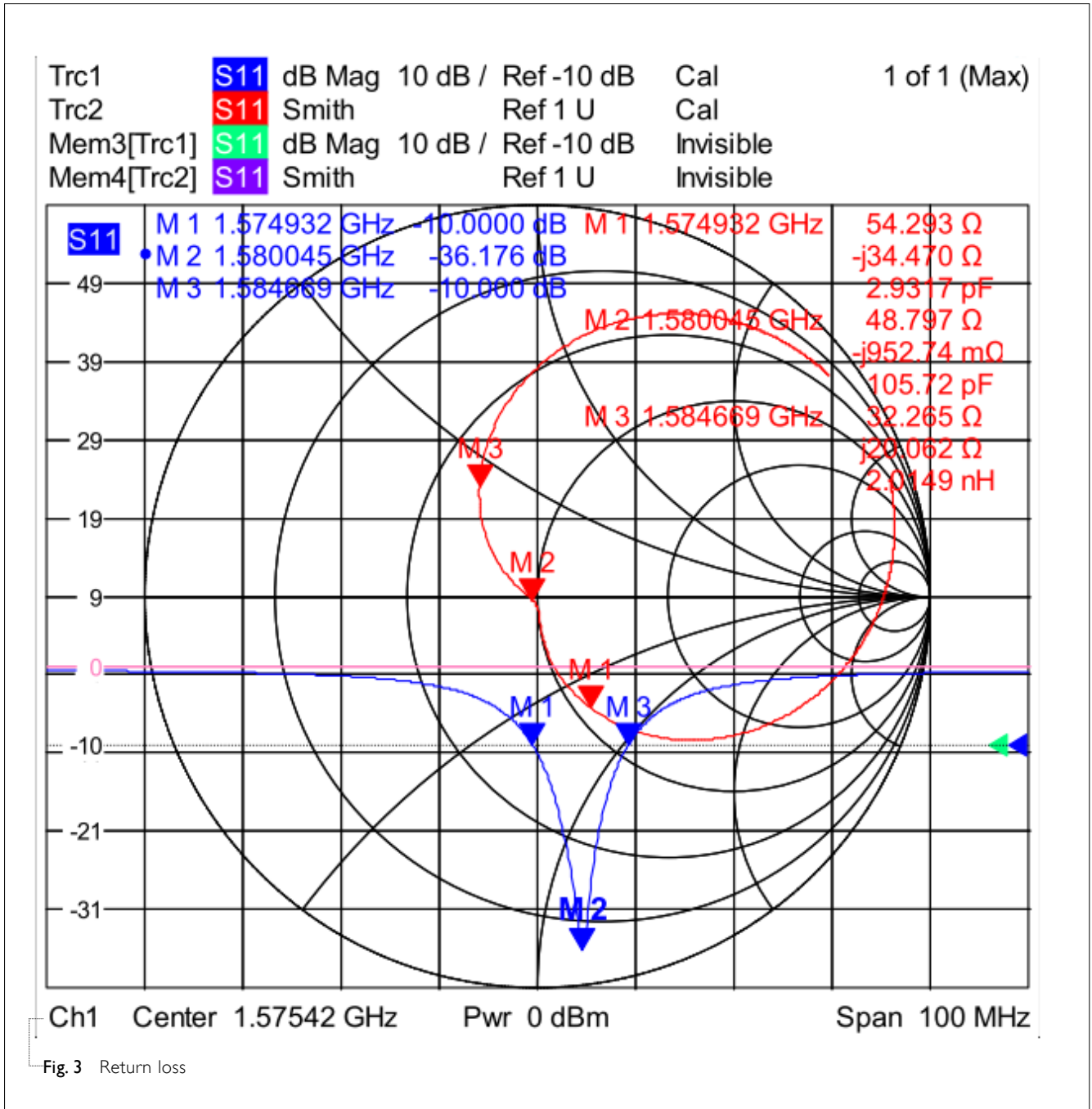


Fig. 1 Mechanical Data



**ELECTRICAL PERFORMANCES**



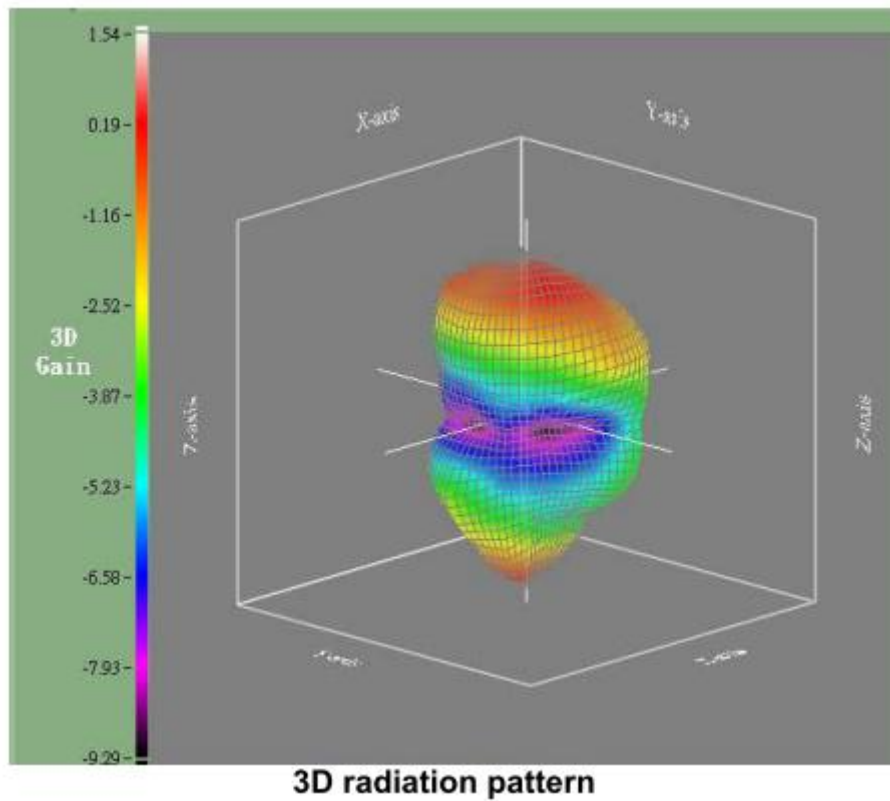
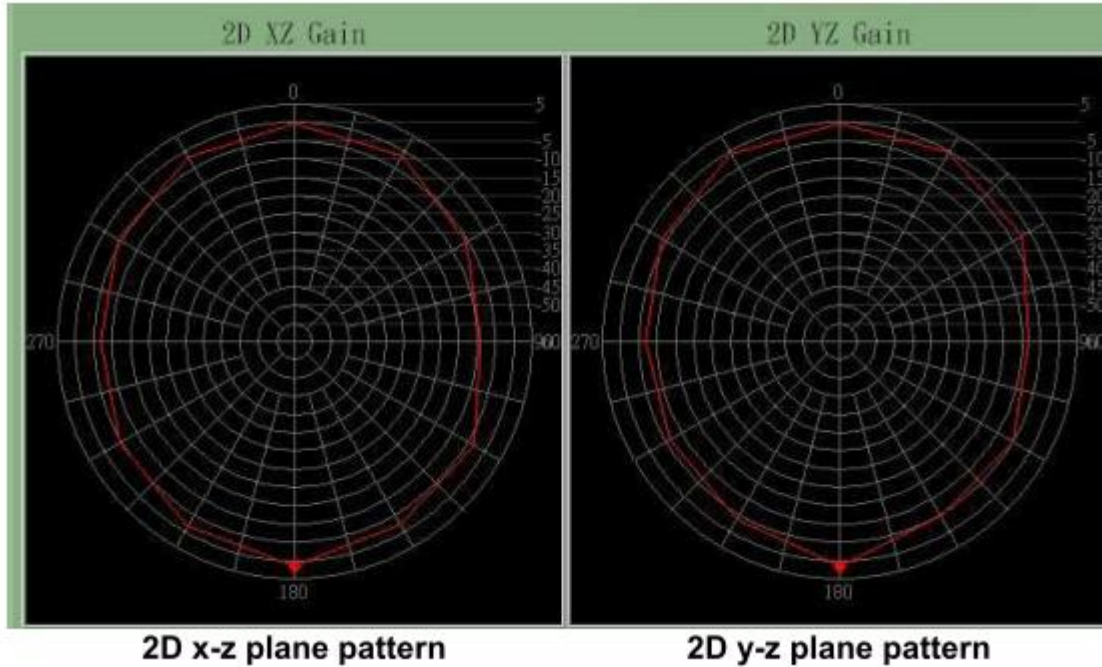


Fig. 4 Radiation Pattern (Frequency = 1580MHz)

REVISION HISTORY

REVISION	DATE	CHANGE NOTIFICATION	DESCRIPTION
Version 0	Aug. 12, 2016	-	- New data sheet for Patch antenna, PIN Feed size 10×10×4 mm

单击下面可查看定价，库存，交付和生命周期等信息

[>>Yageo\(国巨\)](#)