

## Standard Surface Mounted Rectifiers

Reverse Voltage - 50 to 1000 V

Forward Current - 1.0 A



### FEATURES

- ◆ The plastic package carries Underwriters Laboratory Flammability Classification 94V-0
- ◆ Idea for surface mounted application
- ◆ Glass passivated junction chip
- ◆ Low reverse leakage
- ◆ High forward surge current capability
- ◆ High temperature soldering guaranteed 260°C/10 seconds at terminals

### MECHANICAL DATA

- ◆ Case : Molded plastic body
- ◆ Terminals : Solder plated, solderable per MIL-STD-750, Method 2026
- ◆ Polarity : Polarity symbol marking on body
- ◆ Mounting Position : Any
- ◆ Weight : 0.0045 ounce, 0.1296 grams

### Maximum Ratings And Electrical Characteristics

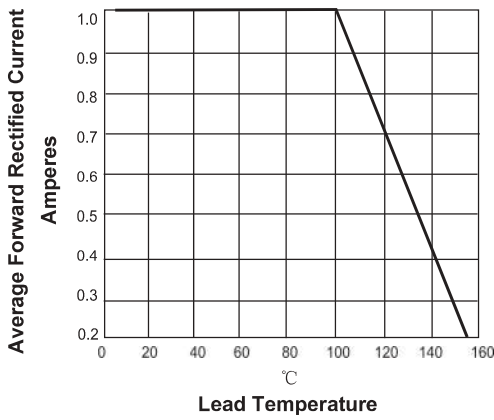
Ratings at 25°C ambient temperature unless otherwise specified. Single phase half-wave 60Hz, resistive or inductive load, for capacitive load current derate by 20%.

Parameter	Symbols	DL4001	DL4002	DL4003	DL4004	DL4005	DL4006	DL4007	Units
Maximum Repetitive Peak Reverse Voltage	$V_{RRM}$	50	100	200	400	600	800	1000	V
Maximum RMS voltage	$V_{RMS}$	35	70	140	280	420	560	700	V
Maximum DC Blocking Voltage	$V_{DC}$	50	100	200	400	600	800	1000	V
Maximum Average Forward Rectified Current at $T_L=100^\circ\text{C}$	$I_{(AV)}$	1.0							A
Peak Forward Surge Current, 8.3ms Single Half Sine-wave Superimposed On Rated Load	$I_{FSM}$	30							A
Maximum Instantaneous Forward Voltage at 1.0 A	$V_F$	1.0							V
Maximum DC reverse current at rated DC blocking voltage $T_A = 25^\circ\text{C}$ $T_A = 125^\circ\text{C}$	$I_R$	2 200							$\mu\text{A}$
Typical junction capacitance (Note1)	$C_J$	15							pF
Typical Thermal Resistance	$R_{\theta JA}$	75							$^\circ\text{C/W}$
Operating Junction Temperature Range	$T_J$	-55 ~ +150							$^\circ\text{C}$
Storage Temperature Range	$T_{stg}$	-55 ~ +150							$^\circ\text{C}$

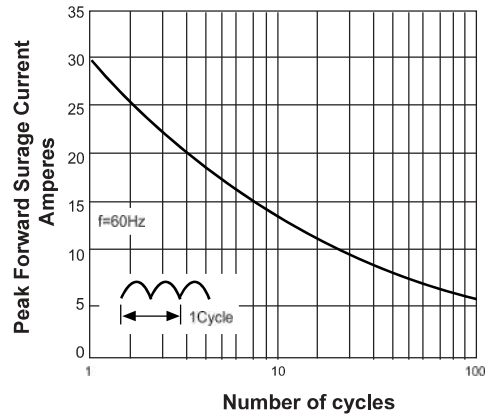
Note:1.Measured at 1MHz and applied reverse voltage of 4.0V D.C.

**Ratings And Characteristic Curves**

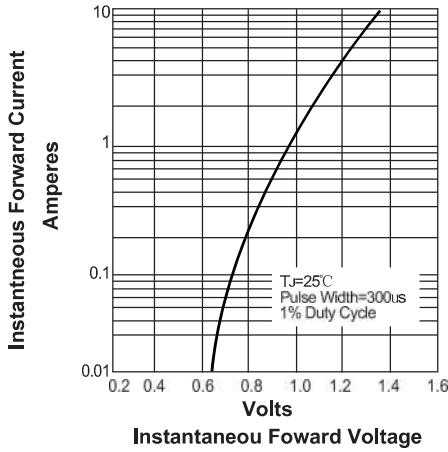
**FIG. 1- DERATING CURVE OUTPUT RECTIFIED CURRENT**



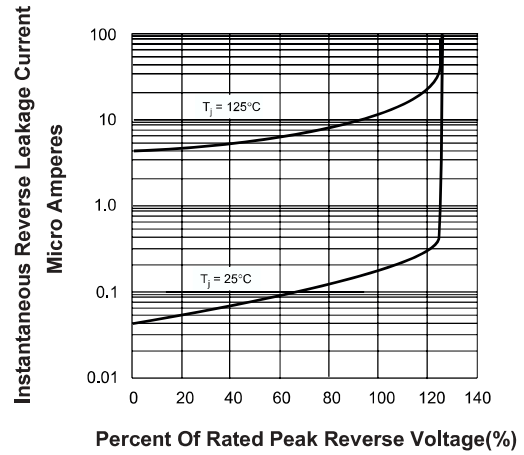
**FIG. 2-MAXIMUM NON-REPETITIVE PEAK FORWARD SURGE CURRENT PER LEG**



**FIG. 3-TYPICAL FORWARD VOLTAGE CHARACTERISTICS**

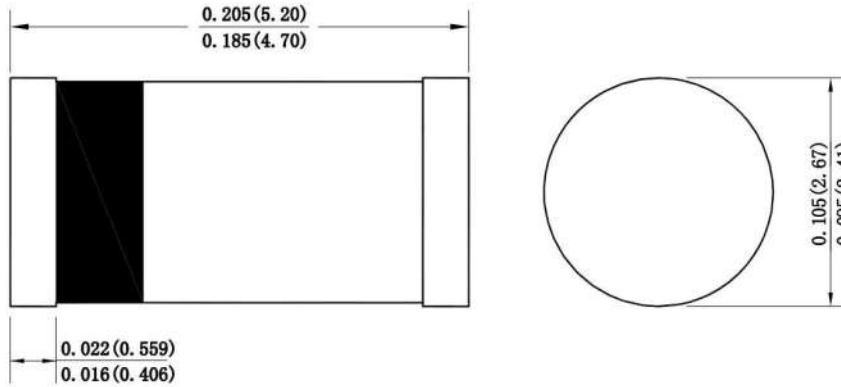


**FIG. 4-TYPICAL REVERSE LEAKAGE CHARACTERISTICS**

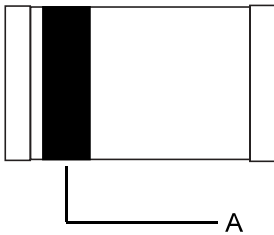


Package Outline

DO-213AB/MELF



Marking



Symbol	Explanation
A	Color Band Denotes Cathode

Summary of Packing Options

Package	Packing Description	Packing Quantity	Industry Standard
DO-213AB MELF	Tape/Reel, 13" reel	5000	EIA-481-1

单击下面可查看定价，库存，交付和生命周期等信息

[>>YFW\(佑风微\)](#)