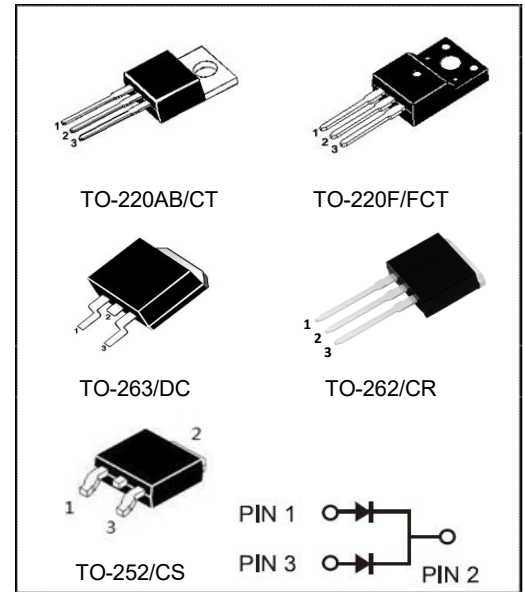


SCHOTTKY BARRIER RECTIFIER
Reverse Voltage - 100 V
Forward Current - 30 A
FEATURES

- Low forward voltage
- High current capability
- High forward surge capability
- Low power losses, High efficiency
- Guarding for over voltage protection

MECHANICAL DATA

- Case: Molded plastic
- Polarity: As marked
- Mounting Position: Any
- Molded Plastic: UL Flammability Classification Rating 94V-0
- Lead free in compliance with EU RoHS 2011/65/EU directive
- Solder bath temperature 275°C maximum, 10s per JESD 22-B106


Primary Characteristic

I_o	2*15A
V_{RRM}	100V
I_{FSM}	350A
V_F	0.68V
T_J Max	150°C

Maximum Ratings (Per Leg) at Ta=25°C unless otherwise specified

Characteristics		Symbol	Value	Unit
Maximum Repetitive Peak Reverse Voltage		V _{RRM}	100	V
Working Peak Reverse Voltage		V _{RWM}	70	V
Maximum DC Blocking Voltage		V _{DC}	100	V
Maximum Average Forward Rectified Current	Per Leg	I _o	15	A
	Total		30	
Peak Forward Surge Current, 8.3 ms Single Half Sine-wave Superimposed on Rated Load (JEDEC method)		I _{FSM}	350	A
Operating Temperature Range		T _J	150	°C
Storage Temperature Range		T _{STG}	-40 to +150	°C
Typical Thermal Resistance (Note1) TO-220AB, TO-263, TO-220F		R _{θJC}	2	°C/W
			4	

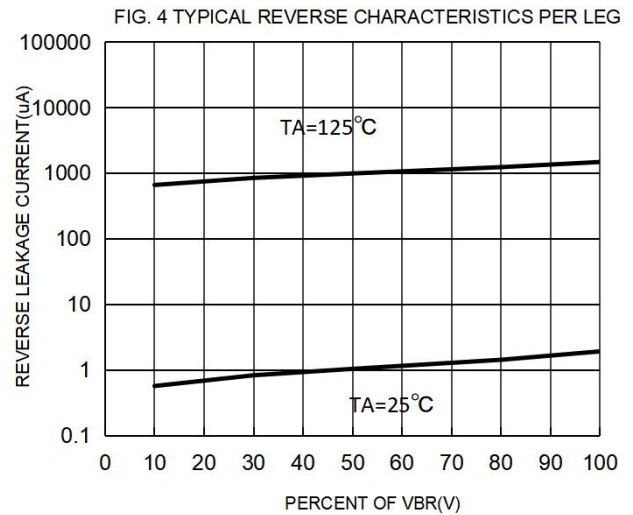
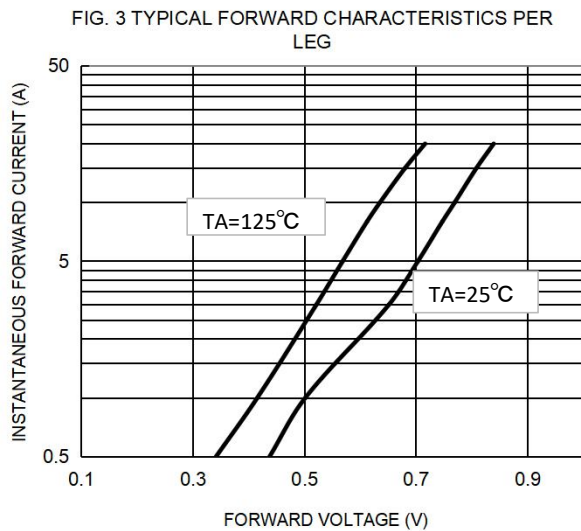
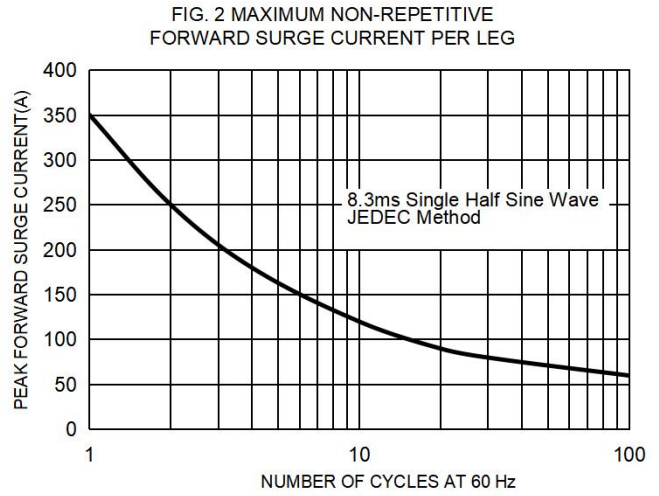
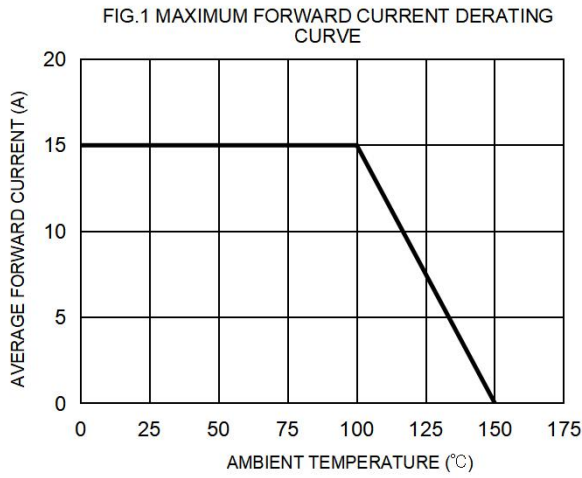
Note1: Thermal resistance from Junction to case per leg mounted on heatsink.

Electrical Characteristics (Per Leg) unless otherwise specified

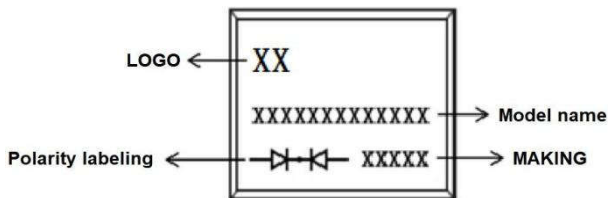
Characteristics		Symbol	Value		Unit
Forward Voltage Drop (Note2)		V _F	Typ.	Max.	V
at I _F =5A	TA=25°C		0.71	-	
	TA=125°C		0.57	-	
at I _F =10A	TA=25°C		0.77	0.85	
	TA=125°C		0.64	-	
at I _F =15A	TA=25°C		0.81	0.88	
	TA=125°C		0.68	-	
Maximum Reverse Current at V _R =100V	TA=25°C	I _R	0.6	10	μA
	TA=125°C		0.6	-	mA

Note2: Pulse test: 300 μs pulse width, 1 % duty cycle

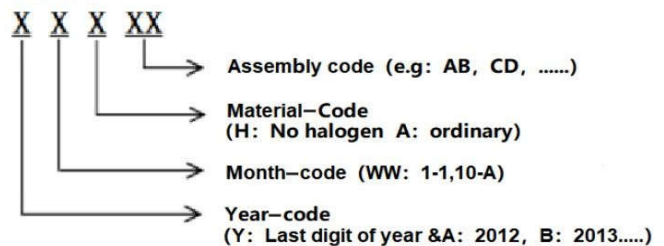
RATINGS AND CHARACTERISTIC CURVES



Marking on the body



MAKING:



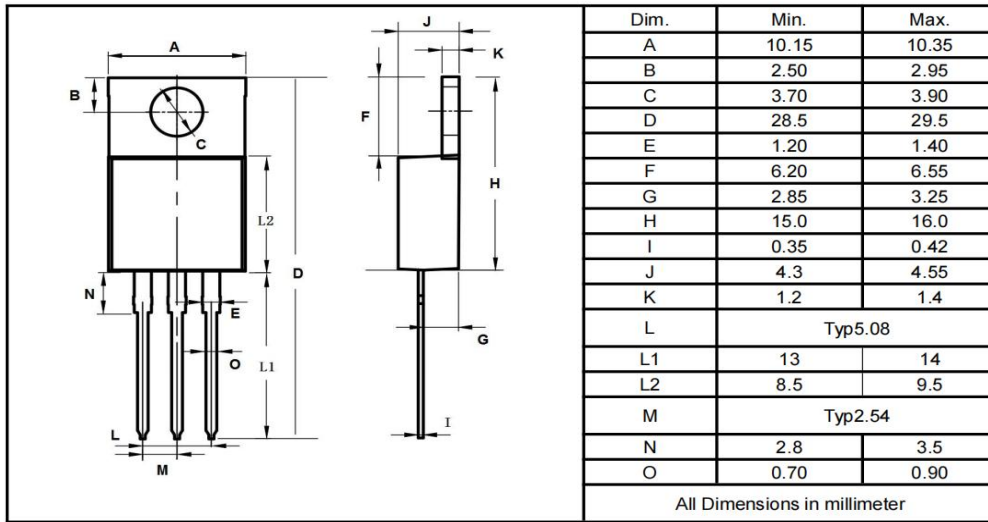
Ordering information

Part Number	Package	Unit Weight	Base Quantity	Delivery mode
MBR30100CT	TO-220AB	0.07oz(1.96g)	50 pcs / tube	1000pcs/box 5000pcs/carton
MBR30100FCT	TO-220F	0.06oz(1.74g)	50 pcs / tube	1000pcs/box 5000pcs/carton
MBR30100DC	TO-263	0.04oz(1.16g)	800 pcs / reel	1600pcs/box 8000pcs/carton
MBR30100CR	TO-262	0.04oz(1.16g)	50 pcs / tube	1000pcs/box 5000pcs/carton
MBR30100CS	TO-252	0.011oz(0.32g)	2500 pcs / reel	5000pcs/box 25000pcs/carton

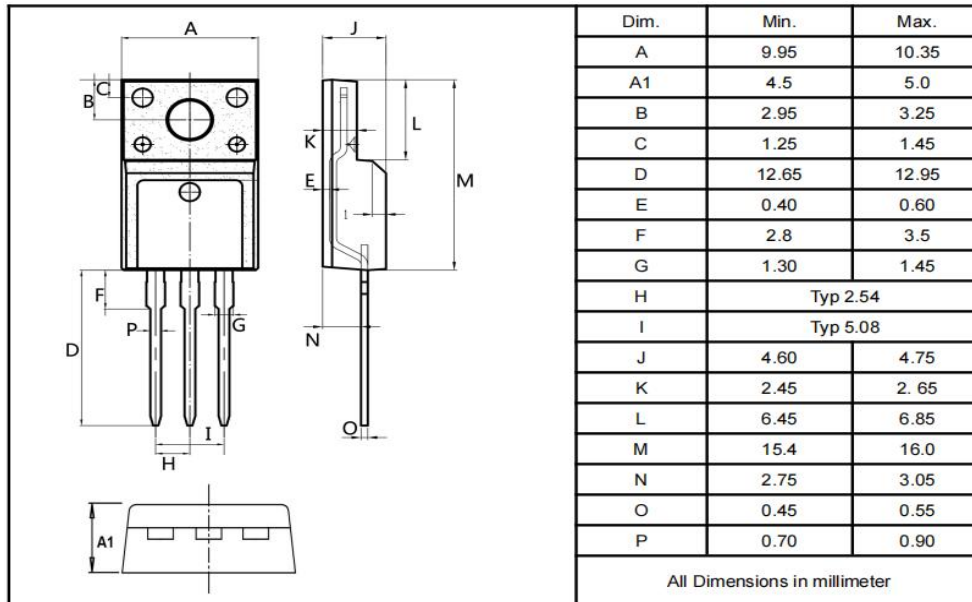
Note: For Halogen Free molding compound, add "H" suffix to part number above.

Package Outline Dimensions millimeters

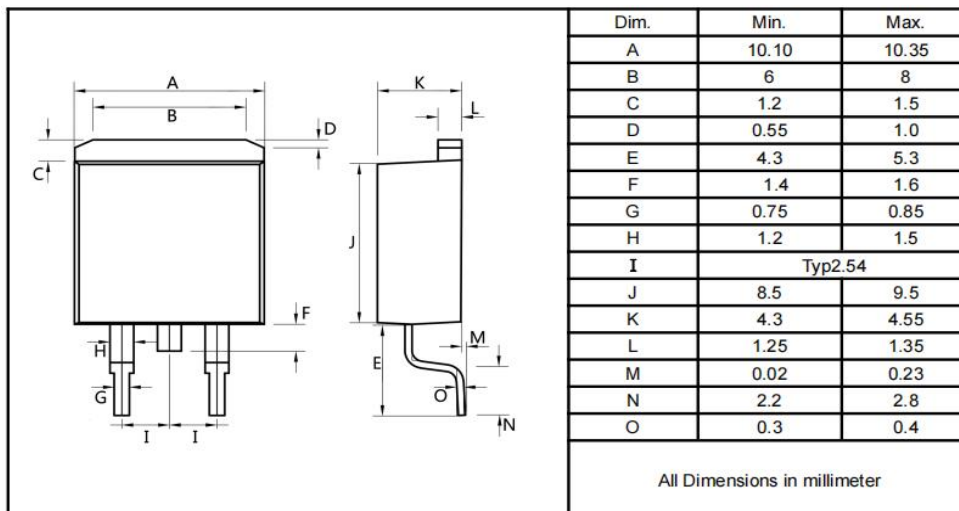
TO-220AB



TO-220F

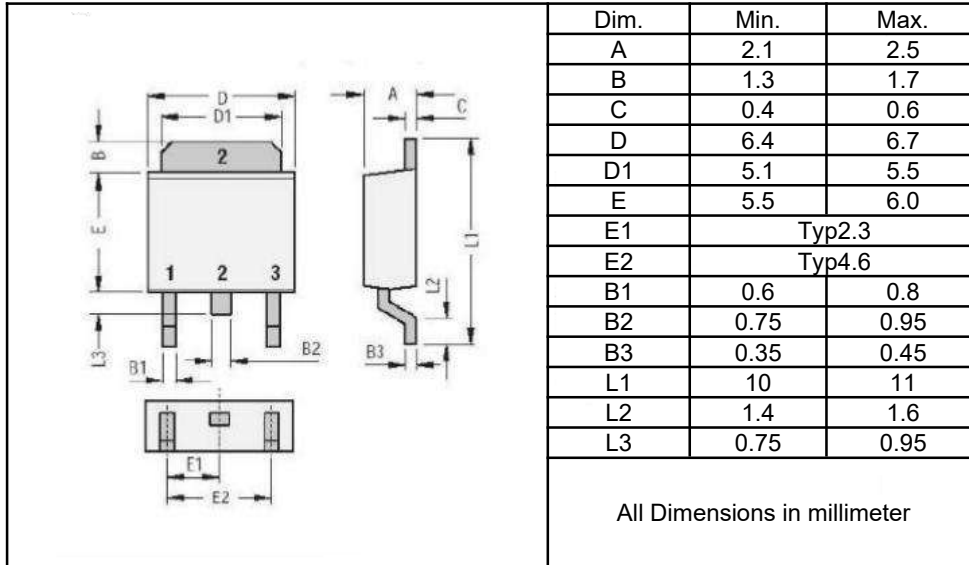


TO-263

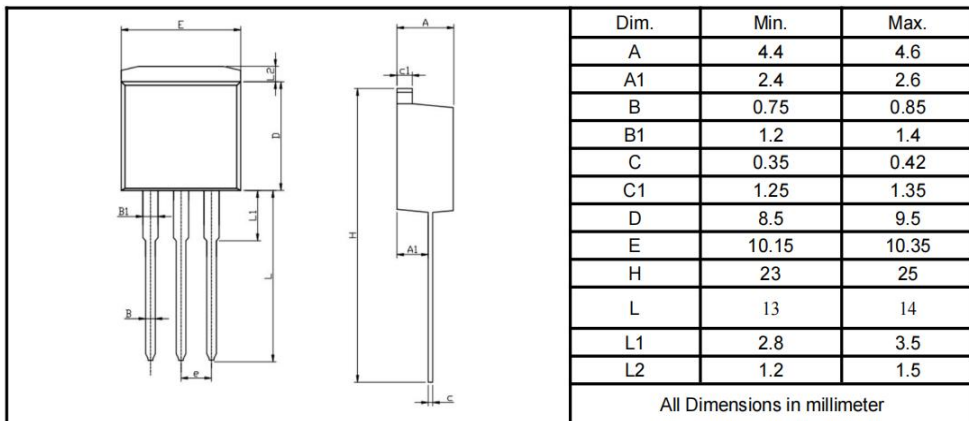


Package Outline Dimensions millimeters

TO-252



TO-262



单击下面可查看定价，库存，交付和生命周期等信息

[>>YFW\(佑风微\)](#)