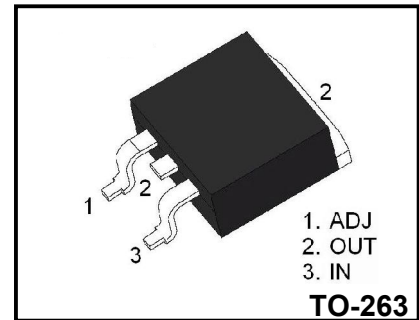


3-Terminal 1.5A Positive Adjustable Regulator

Description

The LM317A are monolithic integrated circuit in TO-263 package sintended for use as positive adjustable voltage regulators.They are designed to supply more than 1.5A of load current with an output voltage adjustable over a 1.2 to 37V range.

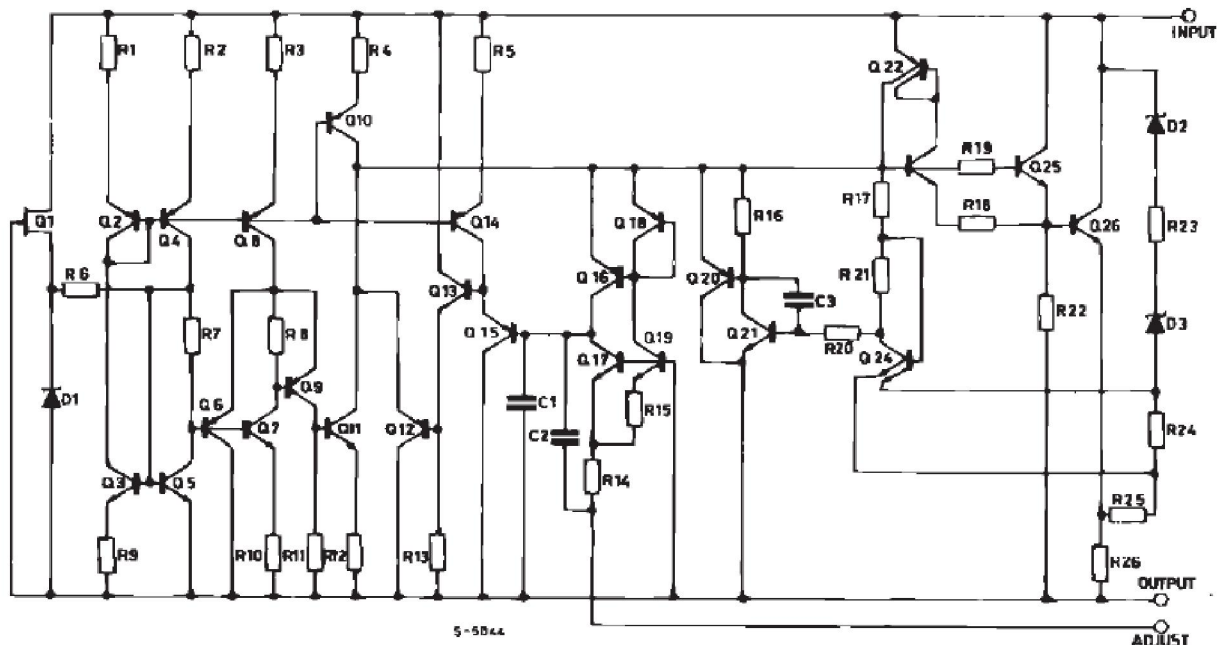
The nominal output voltage is selected by means of only a resistive divider, making the device exceptionally easy to use and eliminatingthestocking of many fixed regulators



Features

- ◆Output Voltage Range : 1.2 TO 37V
- ◆Output Current in excess of 1.5A
- ◆0.1% Line and Load Regulation Voltages
- ◆Floating Operation For High
- ◆Complete Series of Protections:
- ◆Current Limiting, Thermal Shudown and SOA Control

Schematic Diagram



Absolute Maximum Ratings

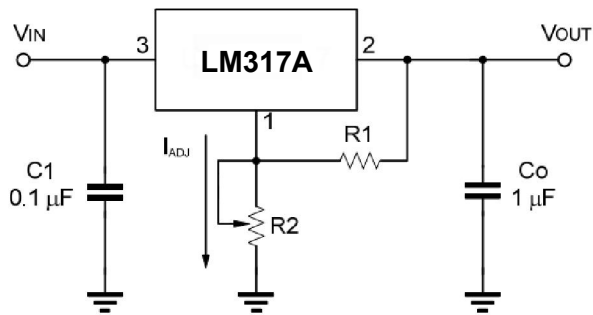
Symbol	Parameter	Value	Unit
V_{i-o}	Input-output Differential Voltage	40	V
I_o	Output Current	Intenrally Limited	
V_o	Out put Voltage	5	V
T_{OP}	Operating Junction Temperature	0~+125	°C
T_{STG}	Storage Temperature	-60~+150	°C

Electrical Characteristics

($V_i - V_o = 5V$, $I_o = 500mA$, $I_{MAX} = 1.5A$ and $P_{MAX} = 20W$, unless otherwise specified)

Parameter	Symbol	Conditions	Value			Unit	
			Min	Typ	Max		
Line Regulation	ΔV_o	$V_i - V_o = 3 \text{ to } 40V$	$T_j = 25^\circ C$			0.04	%V
						0.07	
Load Regulation	ΔV_o	$V_o \leq 5V$ $I_o = 10mA \sim I_{MAX} 1.5A$	$T_j = 25^\circ C$			25	mV
						70	
		$V_o \geq 5V$ $I_o = 10mA \sim I_{MAX} 1.5A$	$T_j = 25^\circ C$			0.5	%V
						1.5	
Adjustment Pin Current	I_{ADJ}	$T_j = 25^\circ C$			100	μA	
Adjustment Pin Current	ΔI_{ADJ}	$V_i - V_o = 2.5 \text{ to } 40V$ $I_o = 10mA \sim I_{MAX} 1.5A$			5	μA	
Output Voltage Drift	$\Delta V / \Delta T$	$I_o = 5mA$		-0.8		mV/°C	
Reference Voltage (between pin3 and pin1)	V_{REF}	$V_i - V_o = 2.5 \text{ to } 40V$ $I_o = 10mA \sim I_{MAX} 1.5A$ $P_D \leq P_{MAX}$	1.2	1.25	1.3	V	
Output Voltage Temperature Stability	$\Delta V_o / \Delta V_o$			1		%	
Minimum Load Current	$I_{O(min)}$	$V_i - V_o = 40V$			10	mA	
Maximum Load Current	$I_{O(max)}$	$V_i - V_o \leq 15V, P_D < P_{MAX}$	1.5			A	
		$V_i - V_o = 40V, P_D < P_{MAX}, T_j = 25^\circ C$		0.4			

Application Circuits



$$V_{out} = 1.25 \cdot (1 + R2/R1) + I_{ADJ} \cdot R2$$

Fig.1 Programmable Voltage Regulator

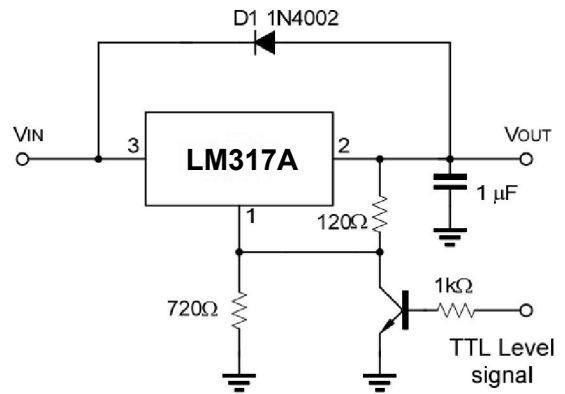


Fig.2 Regulator with ON-off control

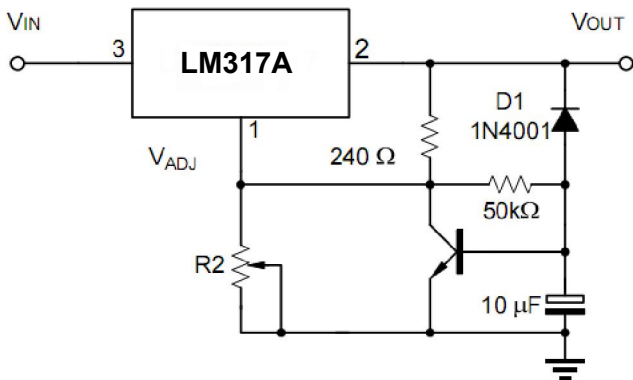


Fig.3 Soft Start Application

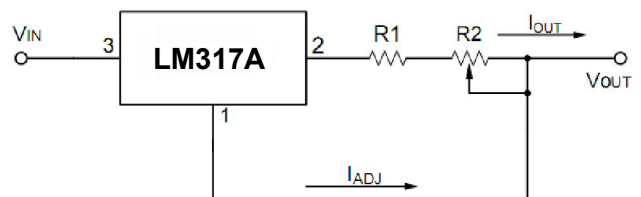


Fig.4. Constant Current Application

Typical Characteristics

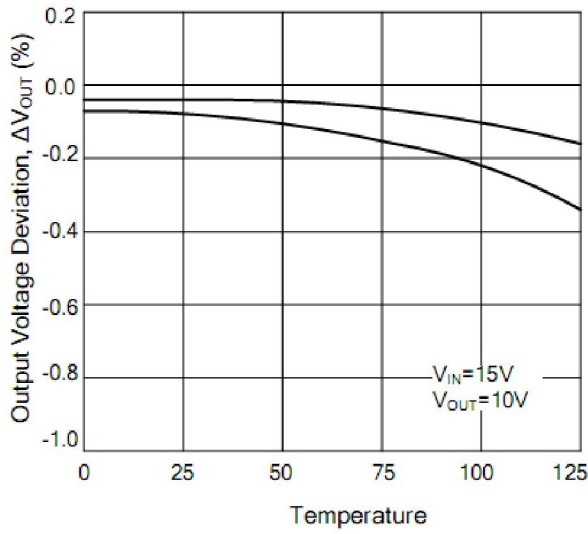


Fig.1. Load Regulation vs. temperature

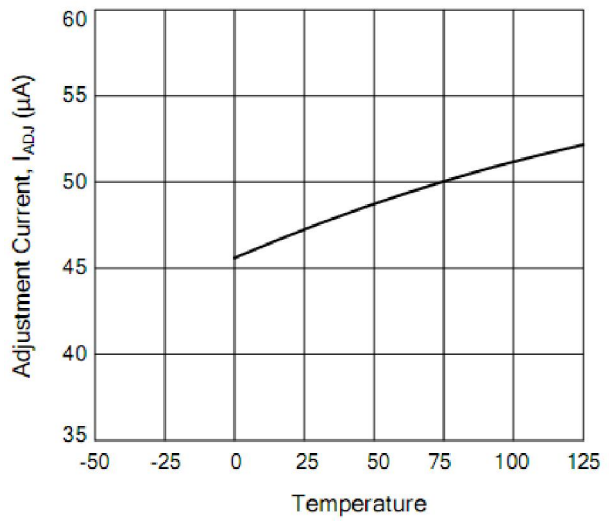


Fig.2. Adjustment Current vs. Temperature

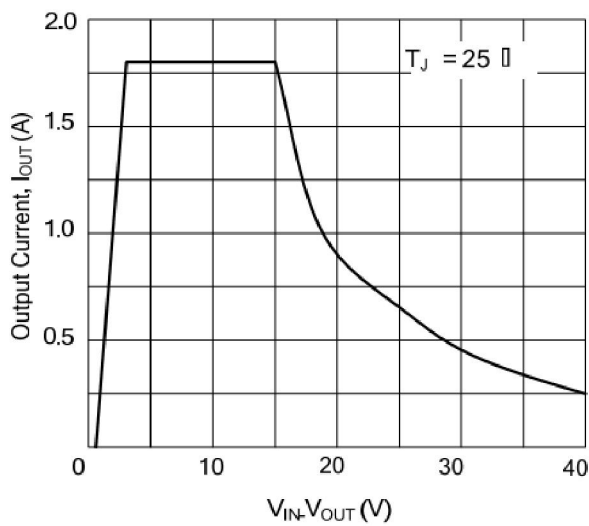


Fig.3. Currents Limit

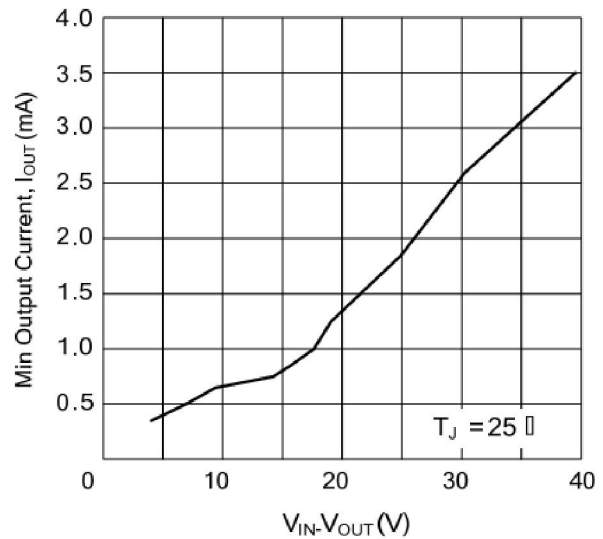


Fig.4. Minimum Operating Current

Package Dimensions

TO-263

Symbol	Millimeter		Inches	
	Min.	Max.	Min.	Max.
A	4.30	4.70	0.169	0.185
A1	0.00	0.15	0.000	0.006
A2	4.30	4.55	0.169	0.179
B	1.10	1.50	0.043	0.059
b	0.70	0.90	0.028	0.035
b1	1.20	1.50	0.047	0.059
c	0.30	0.60	0.012	0.024
c1	1.17	1.37	0.046	0.054
D	9.90	10.20	0.390	0.402
E	8.50	8.90	0.335	0.350
e	2.44	2.64	0.096	0.104
e1	4.88	5.28	0.192	0.208
L	15.00	15.30	0.591	0.602
L1	5.20	5.40	0.205	0.213
L2	2.40	2.60	0.094	0.102
L3	1.60	1.80	0.063	0.071

Product Specification Classification

Part Number	Package	Marking	Pack
LM317A	TO-263	LM317AXXXXX	800PCS/Reel

单击下面可查看定价，库存，交付和生命周期等信息

[>>YFW\(佑风微\)](#)