

**1.5A SINGLE-PHASE GLASS PASSIVATED BRIDGE RECTIFIER**

**Voltage - 50 to 1000 V**

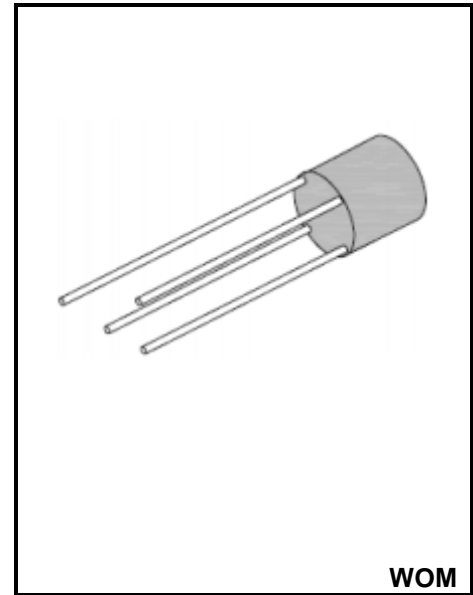
**Forward Current – 1.5 A**

**FEATURES**

- ◆ High current capability
- ◆ Low forward voltage drop
- ◆ Glass Passivated Chip Junction
- ◆ High temperature soldering guaranteed:  
260°C for 10 seconds
- ◆ Lead free in comply with EU RoHS 2011/65/EU directives

**MECHANICAL DATA**

- ◆ Case: WOM
- ◆ Terminals: Solderable per MIL-STD-202, Method 208
- ◆ Approx. Weight: 1.3g



**Maximum Ratings and Electrical characteristics**

Ratings at 25 °C ambient temperature unless otherwise specified.

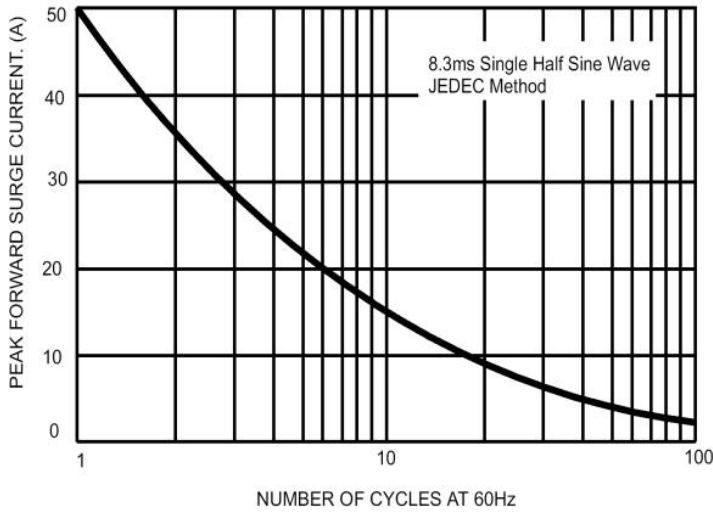
Parameter	Symbols	RB151	RB152	RB153	RB154	RB155	RB156	RB157	Units
Maximum Repetitive Peak Reverse Voltage	$V_{RRM}$	50	100	200	400	600	800	1000	V
Maximum RMS voltage	$V_{RMS}$	35	70	140	280	420	560	700	V
Maximum DC Blocking Voltage	$V_{DC}$	50	100	200	400	600	800	1000	V
Maximum Average Forward output Rectified Current at TA=25°C	$I_{(AV)}$	1.5							A
Peak Forward Surge Current 8.3 ms Single Half Sine-Wave Superimposed on Rated Load (JEDEC method)	$I_{FSM}$	50							A
Rating for Fusing(t<8.3ms)	$I^2t$	10							A <sup>2</sup> S
Maximum instantaneous Forward Voltage drop bridge element at 1.0A	$V_F$	1.0							V
Maximum Reverse Current at TA=25°C at Rated DC Blocking Voltage TA=100°C	$I_R$	10							µA
		0.5							mA
Typical Junction Capacitance (Note1)	$C_j$	15							pF
Typical Thermal Resistance (Note2)	$R_{\theta JA}, R_{\theta JL}$	40							°C/W
Operating Temperature Range	$T_j$	-55 ~ +125							°C
Storage Temperature Range	$T_{stg}$	-55 ~ +150							°C

(1) Measured at 1 MHz and applied reverse voltage of 4 V D.C

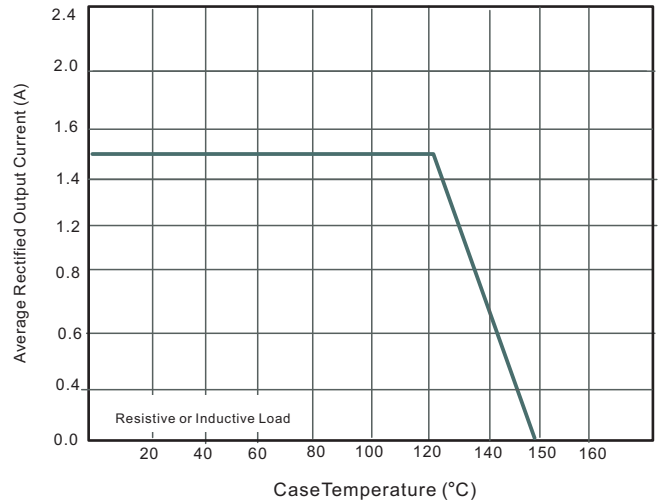
(2) Thermal Resistance Junction to Ambient and from junction to lead at 0.375"(9.5mm) lead length P.C.B. Mounted.

**RATINGS AND CHARACTERISTIC CURVES**

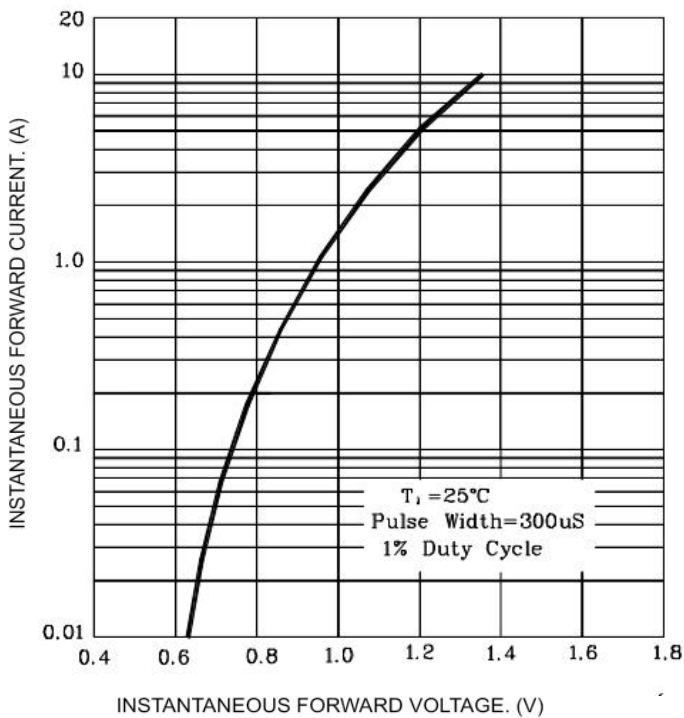
**FIG.1- MAXIMUM NON-REPETITIVE FORWARD SURGE CURRENT PER BRIDGE ELEMENT**



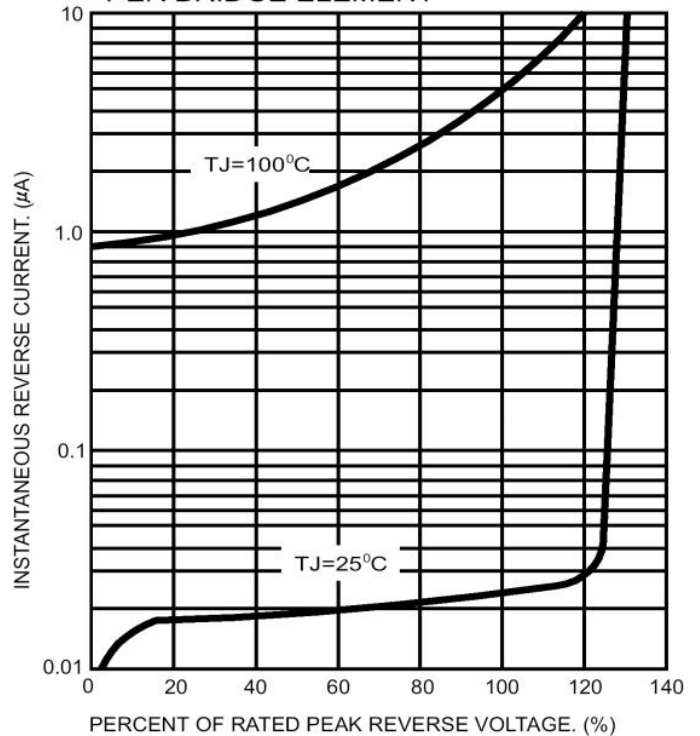
**Fig.2 Average Rectified Output Current Derating Curve**

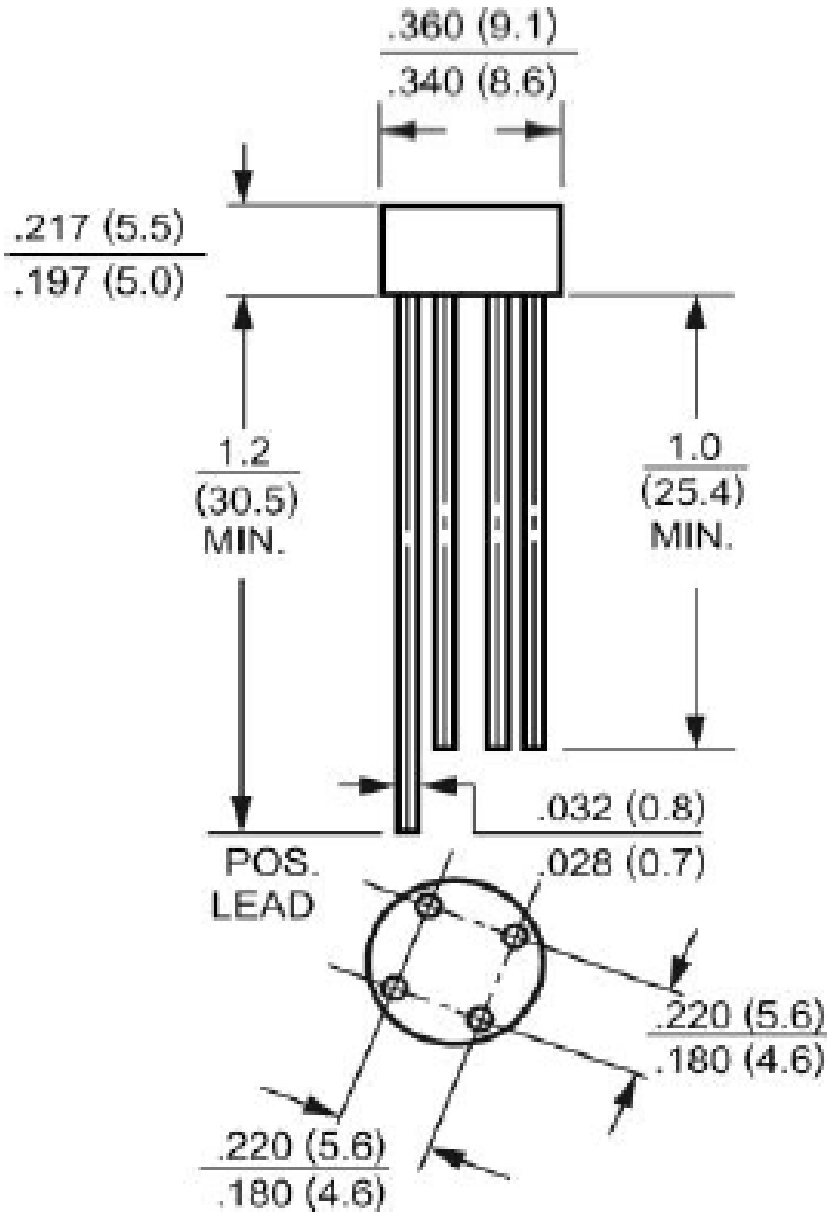


**FIG.3- TYPICAL INSTANTANEOUS FORWARD CHARACTERISTICS PER BRIDGE ELEMENT**



**FIG.4- TYPICAL REVERSE CHARACTERISTICS PER BRIDGE ELEMENT**





Summary of Packing Options

Package	Package Description	Packing Quantity	Industry Standard
WOM	BOX	1000	EIA-481-1

单击下面可查看定价，库存，交付和生命周期等信息

[>>YFW\(佑风微\)](#)