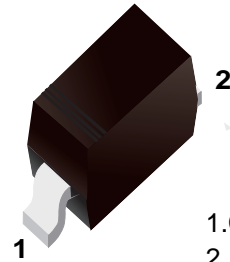


■ Surface Mount Fast Switching Diode

■ Features

- Fast Switching Speed
- Surface Mount Package Ideally Suited for Automatic Insertion
- For General Purpose Switching Applications
- High Conductance



1.Cathode
2.Anode

■ Simplified outline(SOD-323)

■ Absolute Maximum Ratings Ta = 25°C

Parameter	Symbol	Rating	Unit
Non-Repetitive Peak Reverse Voltage	V _{RM}	100	V
Peak repetitive reverse voltage	V _{R(RM)}	75	V
Working peak reverse voltage	V _{R(WM)}		
DC blocking voltage	V _R		
RMS reverse voltage	V _{R(RMS)}	53	V
Average rectified output current	I _O	150	mA
Forward Continuous Current	I _{FM}	300	mA
Non-Repetitive Peak Forward Surge Current @ t = 1.0 μs	I _{FSM}	2.0	A
@ t = 1.0s		1.0	
Power dissipation	P _D	400	mW
Typical Thermal Resistance Junction to Ambient	R _{θJA}	315	°C/W
Operating and storage temperature range	T _j , T _{stg}	-65 to +150	°C

■ Electrical Characteristics Ta = 25°C

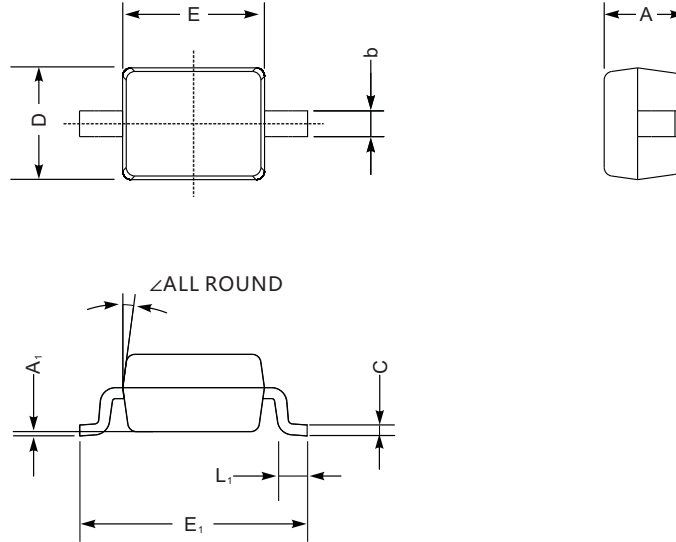
Parameter	Symbol	Test conditions	Min	Typ	Max	Unit
Reverse Breakdown Voltage	V _{(BR)R}	I _R = 1.0 μA	75			V
Forward voltage	V _{FM}	I _F = 1.0mA I _F = 10mA I _F = 50mA I _F = 150mA			0.745 0.855 1.0 1.25	V
Peak Reverse current	I _{RM}	V _R = 75V V _R = 75V, T _J = 150°C V _R = 25V, T _J = 150°C V _R = 20V			1.0 50 30 25	μA μA nA nA
Junction Capacitance	C _J	V _R = 0, f = 1.0MHz			2.0	pF
Reverse Recovery Time	t _{rr}	I _F = I _R = 10mA, I _{rr} = 0.1xI _R , R _L = 100 Ω			4.0	ns

■ Marking

Marking	T6
---------	----

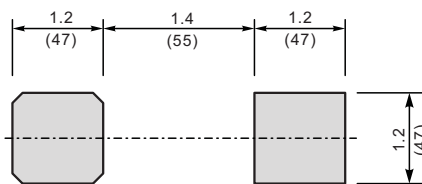
Package Outline SOD-323

Plastic surface mounted package; 2 leads



UNIT		A	C	D	E	E ₁	b	L ₁	A ₁	∠
mm	max	1.1	0.15	1.4	1.8	2.75	0.4	0.45	0.2	9°
	min	0.8	0.08	1.2	1.4	2.55	0.25	0.2	—	
mil	max	43	5.9	55	70	108	16	16	8	
	min	32	3.1	47	63	100	9.8	7.9	—	

The recommended mounting pad size



Unit: $\frac{\text{mm}}{\text{(mil)}}$

Summary of Packing Options

Package	Packing Description	Packing Quantity	Industry Standard
SOD-323	Tape/Reel, 7" reel	3000	EIA-481-1

单击下面可查看定价，库存，交付和生命周期等信息

[>>YFW\(佑风微\)](#)