

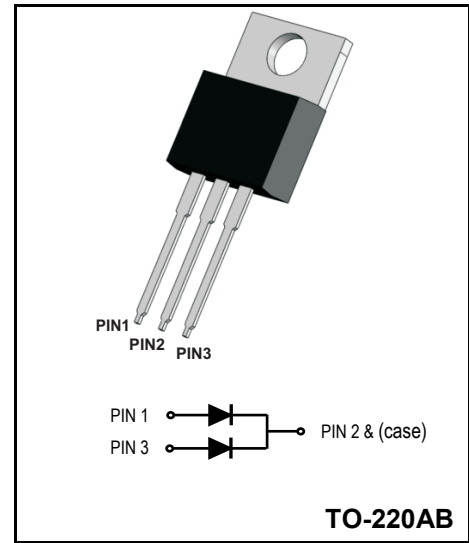
**Super Fast Rectifiers**

**Reverse Voltage - 400V**

**Forward Current - 30A**

**FEATURES**

- Glass passivated chip junctions
- Super fast recovery time for switching mode application
- High Forward Surge Capability
- Low Reverse Current
- Lead free in compliance with EU RoHS 2011/65/EU directive



**MECHANICAL DATA**

- Circuit figure: Common Cathode
- Leads: Solderable per mil-std-202, Method 208
- Polarity: as marked
- Mounting torque: 5 in-lbs maximum
- Terminals: Puretin plated
- Weight: TO-220AB 1.85 grams

**MAXIMUM RATINGS AND ELECTRICAL CHARACTERISTICS (TA=25°C)**

RATINGS	SYMBOL	Value	Units
Maximum repetitive reverse voltage	V <sub>RRM</sub>	400	V
Maximum RMS voltage	V <sub>RMS</sub>	280	V
Maximum DC blocking voltage	V <sub>DC</sub>	400	V
Maximum average forward current	I <sub>AV</sub>	30	A
Peak forward surge current, 8.3ms single half sine-wave superimposed on rated load	I <sub>FSM</sub>	400	A
Typical thermal resistance per diode (Note 1)	R <sub>θ-JC</sub>	2.5	°C/W
Operation Junction Temperature and Storage Temperature	T <sub>J</sub> , T <sub>STG</sub>	-55 ~ +150	°C
<b>CHARACTERISTICS</b>			
Typical forward voltage per leg at 15A	V <sub>F</sub>	1.35	V
Maximum average reverse current at rated DC blocking voltage	I <sub>R</sub>	5 250	μA
Typical reverse recovery time (Note 2)	T <sub>RR</sub>	35	nS

Notes: 1. Thermal resistance from junction to case.  
2. Test conditions: I<sub>F</sub>=0.5A, I<sub>R</sub>=1.0A, I<sub>RR</sub>=0.25A.

**Ratings And Characteristic Curves**

FIG. 1 - TYPICAL FORWARD CURRENT DERATING CURVE

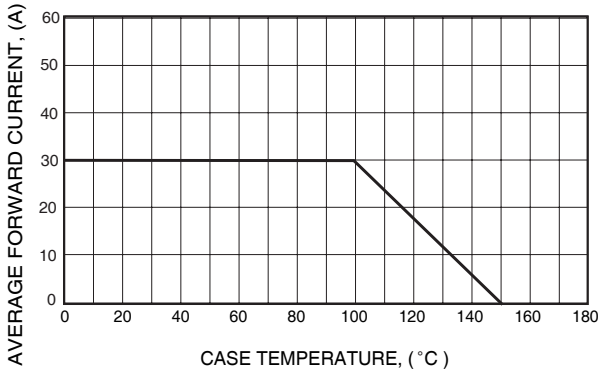


FIG. 2 - MAXIMUM NON-REPETITIVE FORWARD SURGE CURRENT

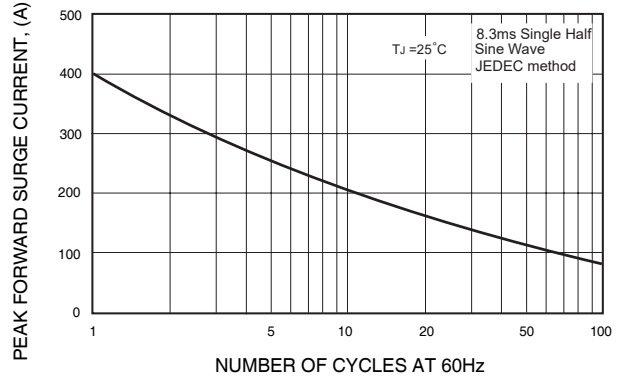


FIG. 3 - TYPICAL REVERSE CHARACTERISTICS

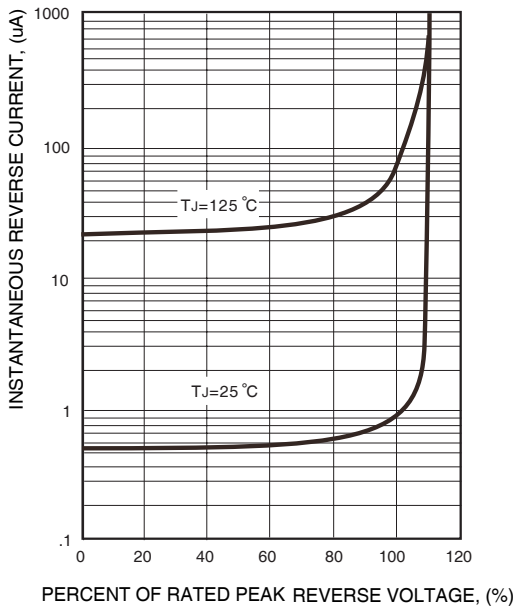
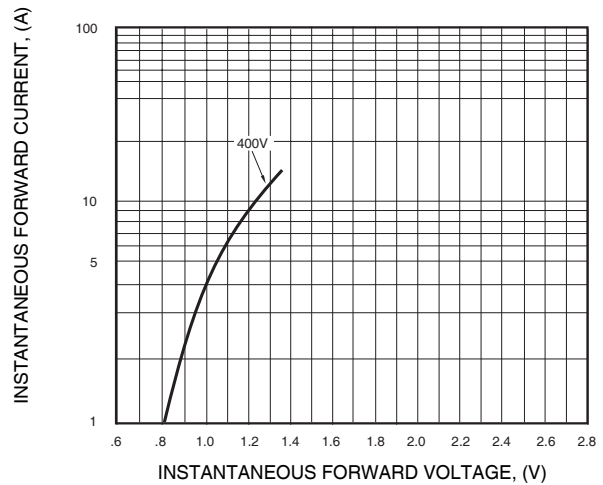
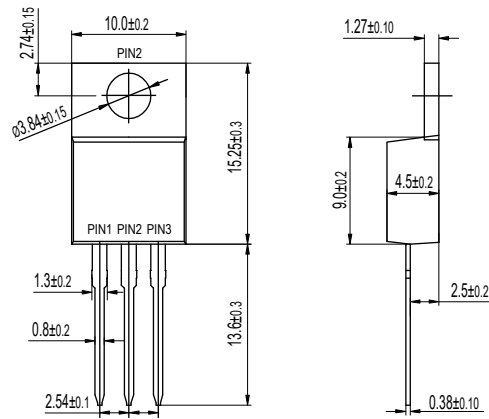


FIG. 4 - TYPICAL INSTANTANEOUS FORWARD CHARACTERISTICS



Package Outline Dimensions Millimeters



单击下面可查看定价，库存，交付和生命周期等信息

[>>YFW\(佑风微\)](#)