

## SCHOTTKY BARRIER RECTIFIER

Reverse Voltage - 200 V

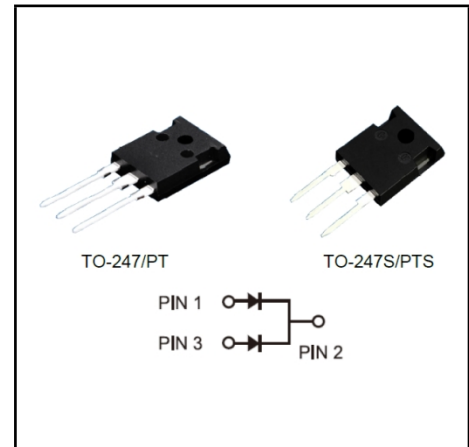
Forward Current - 40A

### FEATURES

- ◆ Low forward voltage
- ◆ High current capability
- ◆ High forward surge capability
- ◆ Low power losses · High efficiency
- ◆ Guarding for over voltage protection
- ◆ Lead free in comply with EU RoHS 2011/65/EU directives

### MECHANICAL DATA

- ◆ Case: TO-247/PT TO-247/PTS
- ◆ Solder bath temperature 275°C maximum, 10s per JESD22-106



### Primary Characteristic

$I_o$	<b>2*20A</b>
$V_{RRM}$	<b>200V</b>
$I_{FSM}$	<b>250A</b>
$V_F$	<b>0.75V</b>
$T_J$ Max	<b>175°C</b>

### Maximum Ratings (Per Leg) at Ta=25°C unless otherwise specified

Parameter	Symbols	Value	Units
Maximum Repetitive Peak Reverse Voltage	$V_{RRM}$	200	V
Maximum RMS voltage	$V_{RMS}$	140	V
Maximum DC Blocking Voltage	$V_{DC}$	200	V
Maximum Average Forward Rectified Current	Per Leg	20	A
	Total	40	
Peak Forward Surge Current, 8.3ms Single Half Sine-wave	$I_{FSM}$	250	A
Operating Temperature Range	$T_J$	-50 ~ +175	°C
Storage Temperature Range	$T_{STG}$	-50 ~ +175	°C
Typical Thermal Resistance (Note1) TO-247PT, TO-247PTS	$R_{\theta JA}$ / $R_{\theta JC}$	2	°C/W

Note1: Thermal resistance from Junction to case per leg mounted on heatsink.

### Electrical Characteristics (Per Leg) unless otherwise specified

Characteristics	Symbols	Value		Units
		Typ	Max	
Forward Voltage Drop(Note2)	$V_F$	0.72	-	V
at $I_F=5A$				
		TA=125°C		
at $I_F=10A$		TA=25°C	0.88	
		TA=125°C	-	
at $I_F=20A$		TA=25°C	0.92	
	TA=125°C	-		
Maximum Reverse Current at $V_R=200V$	$I_R$	3	10	uA
		0.3	-	mA

Note2: Pulse test: 300 μs pulse width, 1 % duty cycle

**RATINGS AND CHARACTERISTIC CURVES**

FIG.1 MAXIMUM FORWARD CURRENT DERATING CURVE

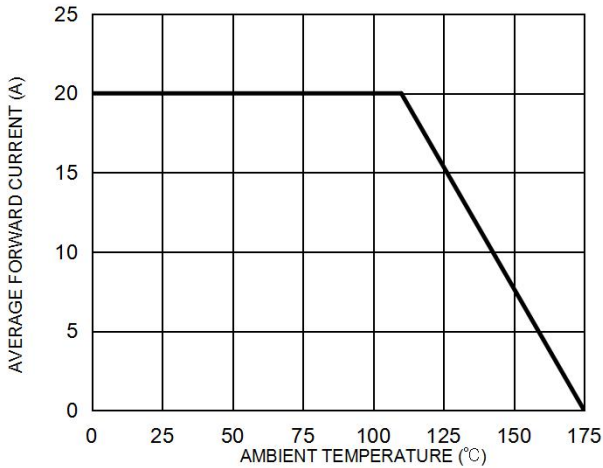


FIG. 2 MAXIMUM NON-REPETITIVE FORWARD SURGE CURRENT PER LEG

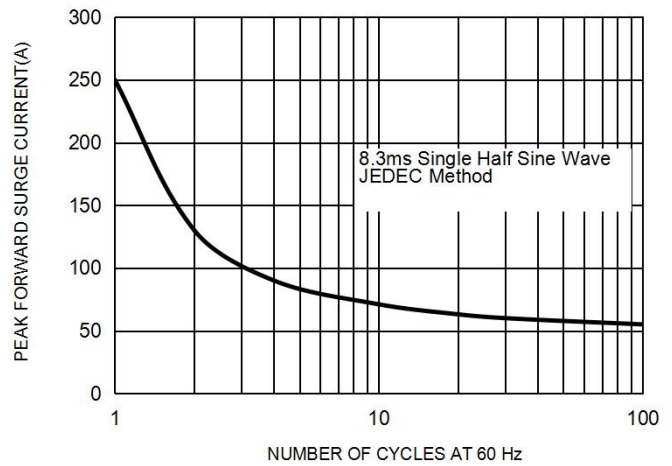


FIG. 3 TYPICAL FORWARD CHARACTERISTICS PER LEG

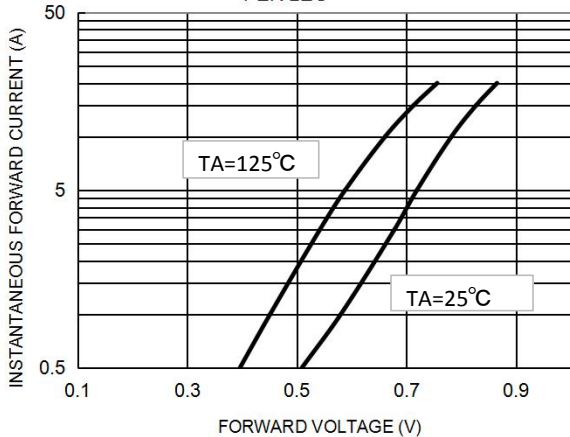
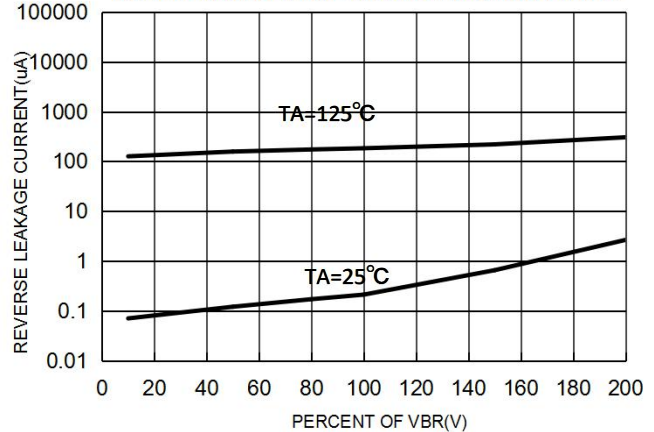


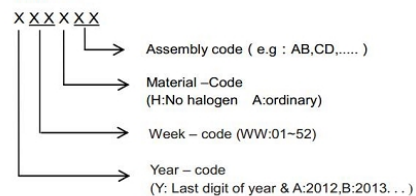
FIG. 4 TYPICAL REVERSE CHARACTERISTICS PER LEG



**Marking on the body**



**MAKING:**



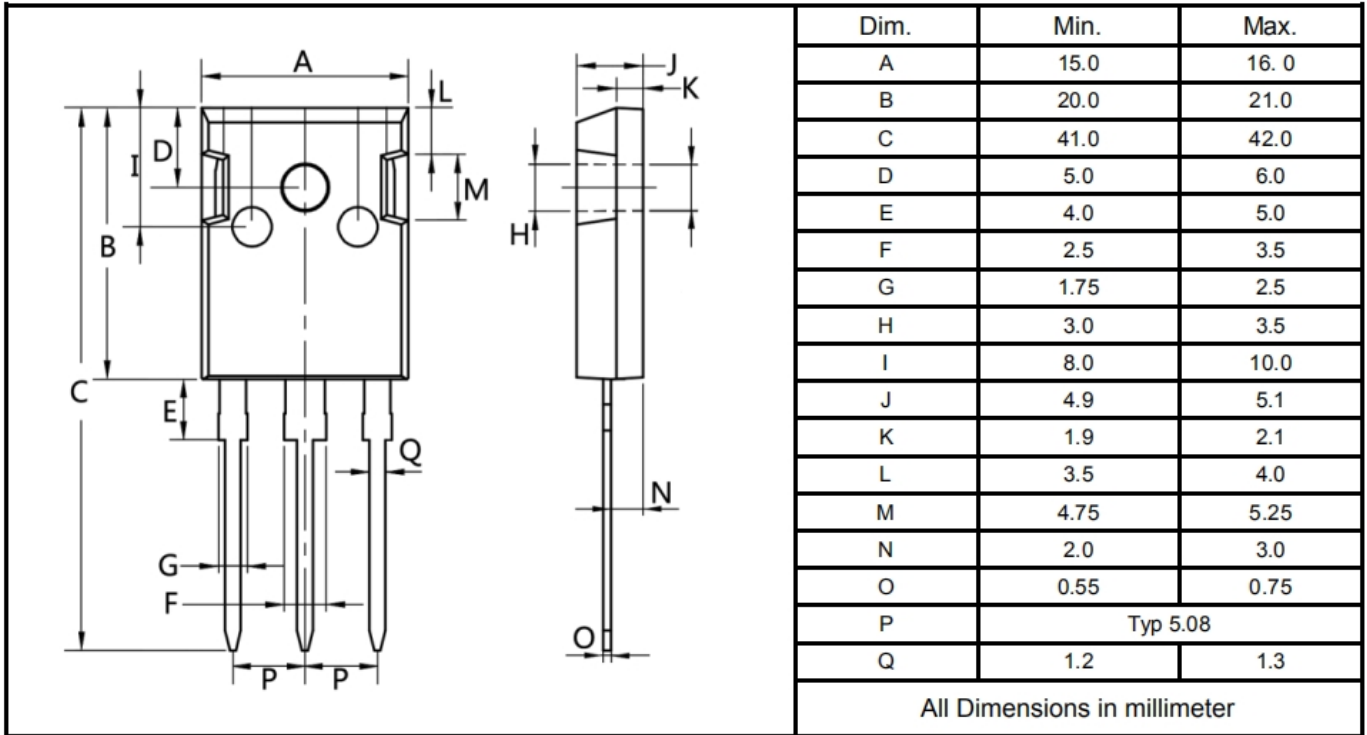
**Ordering information**

Part Number	Package	Unit Weight	Base Quantity	Delivery mode
HRT40L200PT	TO-247	0.209oz(5.93g)	30 pcs / tube	600pcs/box 2400pcs/carton
HRT40L200PTS	TO-247S	0.158oz(4.48g)	30 pcs / tube	600pcs/box 2400pcs/carton

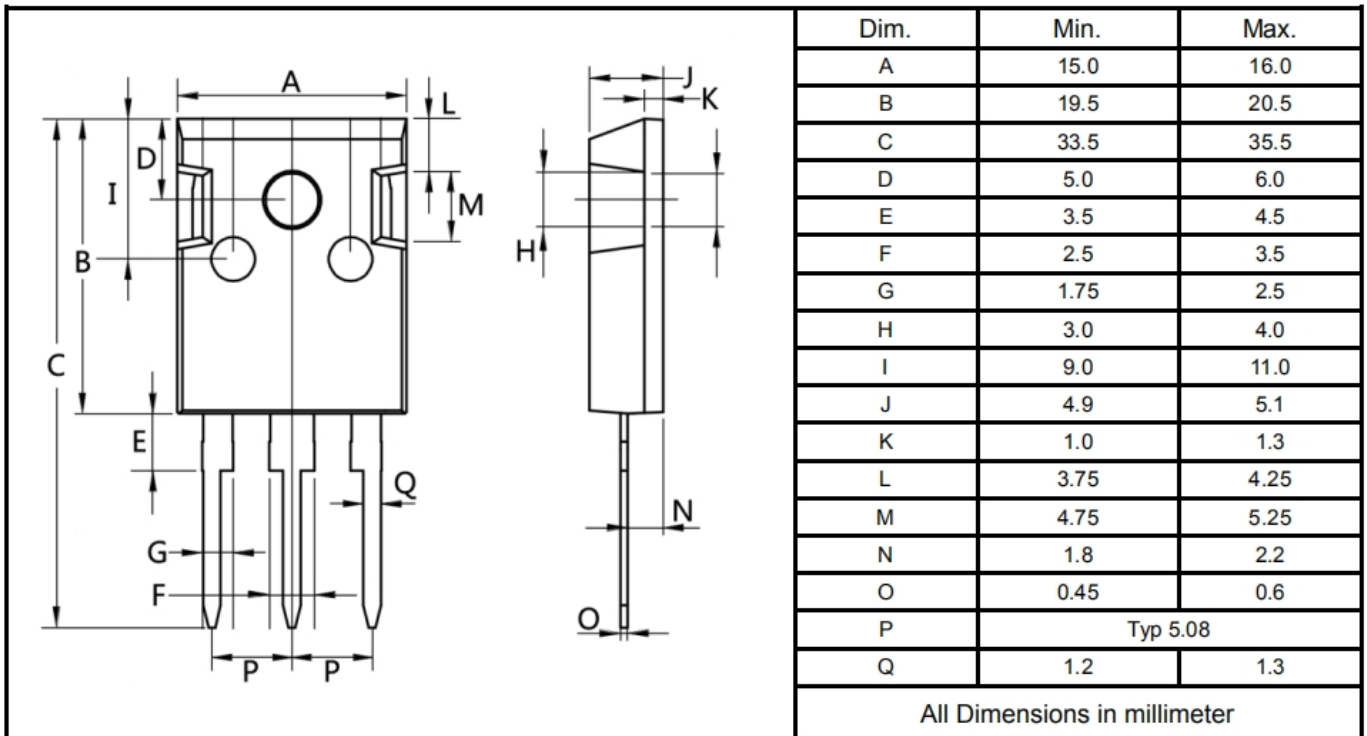
Note: For Halogen Free molding compound, add "H" suffix to part number above.

Package Outline Dimensions millimeters

**TO-247**



**TO-247S**



单击下面可查看定价，库存，交付和生命周期等信息

[>>YFW\(佑风微\)](#)