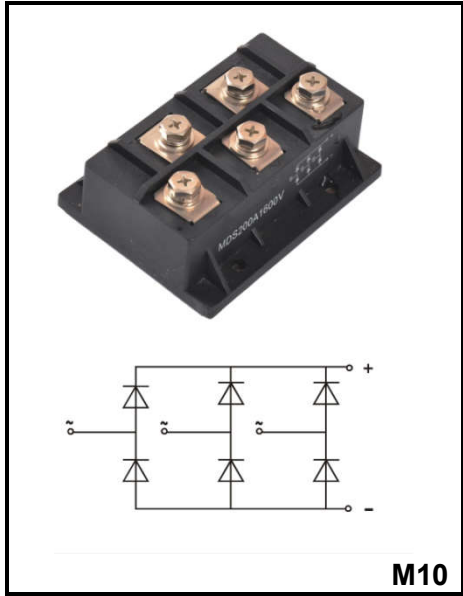


**Glass Passivated Three Phase Rectifier Bridge**

**VRRM = 1200 V - 1800V**

**IF(AV) = 200 A**



**FEATURES**

- ◆ Three phase bridge rectifier
- ◆ Blocking voltage: 1200 to 1800V
- ◆ Heat transfer through aluminum oxide DBC
- ◆ ceramic isolated metal baseplate
- ◆ Glass passivated chip

**Applications**

- ◆ Three phase rectifiers for power supplies
- ◆ Rectifiers for DC motor field supplies
- ◆ Battery charger rectifiers
- ◆ Input rectifiers for variable frequency drives

**Maximum ratings, at Tj = 25 °C, unless otherwise specified**

Parameter	Symbols	MDS200-12	MDS200-16	MDS200-18	Units
Maximum Repetitive Peak Reverse Voltage	$V_{RRM}$	1200	1600	1800	V
Maximum RMS voltage	$V_{RSM}$	1300	1700	1900	V

Symbol	Conditions	Values			Units
		MIN.	TYP.	MAX.	
$I_D$	Three phase, full wave Tc=100°C	200			A
$I_{FSM}$	t=10mS Tvj =45°C	2240			A
$I_{2t}$	t=10mS Tvj =45°C	25000			A2s
Visol	a.c.50HZ;r.m.s.;1min	300			V
Tvj		-40 to +150			°C
Tstg		-40 to +125			°C
M <sub>T</sub>	To terminals(M6)	5±15%			Nm
M <sub>s</sub>	To heatsink(M6)	5±15%			Nm
Weight	Module (Approximately)	220			g
Rth(j-c)	Module	0.10			°C/W
Rth(c-s)	Module	0.025			°C/W
Symbol	Conditions	Values			Units
$V_{FM}$	T=25°C IF =200A	-	1.45	1.70	
$I_{RD}$	Tvj=25°C V <sub>RD</sub> =V <sub>RRM</sub> Tvj=150°C V <sub>RD</sub> =V <sub>RRM</sub>	-	-	16 8	uA mA

**RATINGS AND CHARACTERISTIC CURVES**

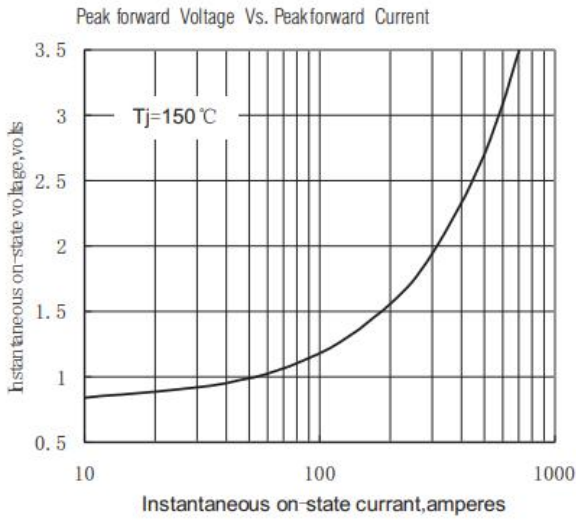


Fig. 1

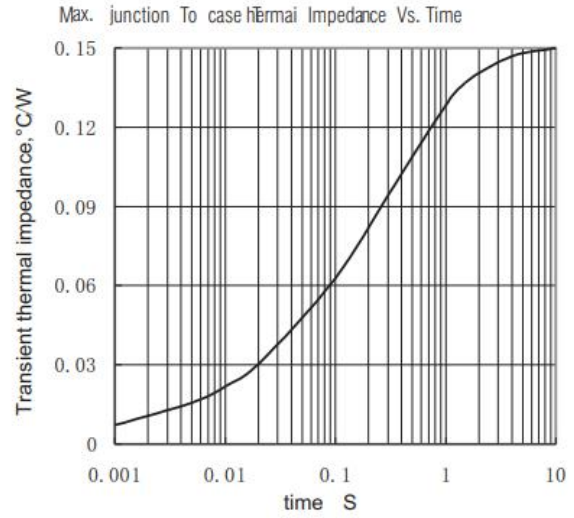
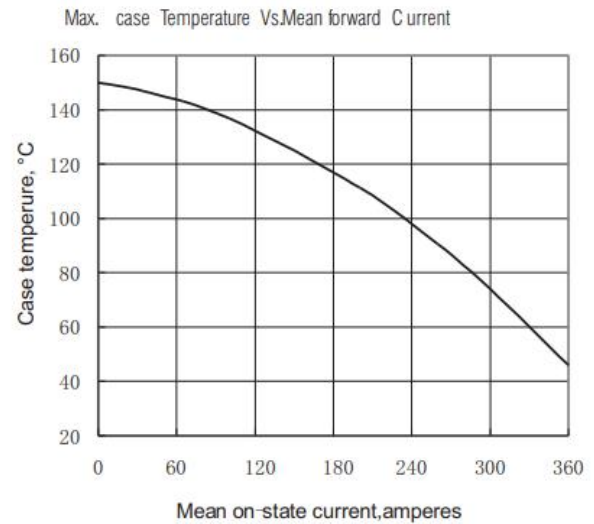
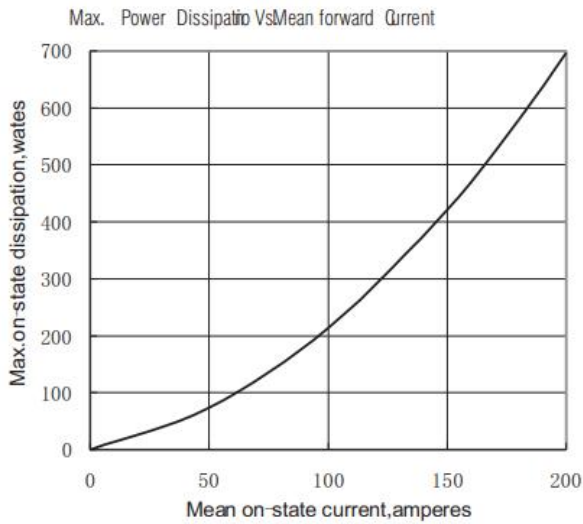
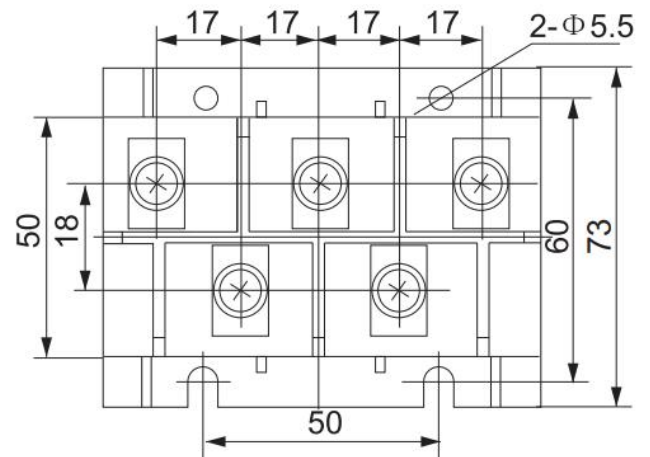
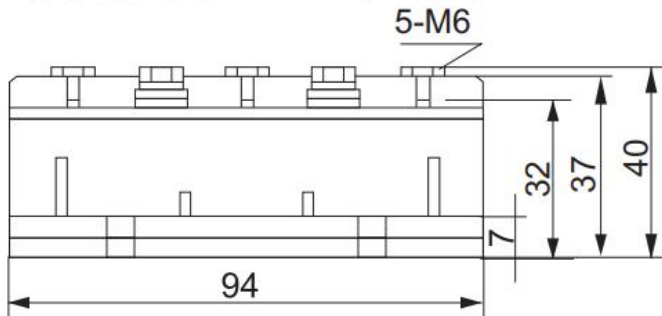


Fig. 2



**Outside Dimension**



单击下面可查看定价，库存，交付和生命周期等信息

[>>YFW\(佑风微\)](#)