

35 A GLASS PASSIVATED BRIDGE RECTIFIER

Reverse Voltage - 100 to 1200 V

Forward Current – 35 A

FEATURES

- ◆ High current capability
- ◆ Low forward voltage drop
- ◆ Glass Passivated Chip Junction
- ◆ Low power loss, high efficiency
- ◆ Lead free in comply with EU RoHS 2011/65/EU directives

MECHANICAL DATA

- ◆ Case: GBPC
- ◆ Polarity: Symbol marked on body
- ◆ Mounting position: Any



Maximum Ratings and Electrical characteristics

Ratings at 25 °C ambient temperature unless otherwise specified.

| Parameter | Symbols | GBPC 3501 | GBPC 3502 | GBPC 3504 | GBPC 3506 | GBPC 3508 | GBPC 3510 | GBPC 3512 | Units |
|---|-----------------------------------|------------|-----------|-----------|-----------|-----------|-----------|-----------|------------------|
| Maximum Repetitive Peak Reverse Voltage | V_{RRM} | 100 | 200 | 400 | 600 | 800 | 1000 | 1200 | V |
| Maximum RMS voltage | V_{RMS} | 70 | 140 | 280 | 420 | 560 | 700 | 1140 | V |
| Maximum DC Blocking Voltage | V_{DC} | 100 | 200 | 400 | 600 | 800 | 1000 | 1200 | V |
| Maximum Average Forward Rectified Current @T _C =55 °C | $I_{(AV)}$ | 35 | | | | | | | A |
| Peak Forward Surge Current 8.3 ms Single Half Sine-Wave Superimposed on Rated Load (JEDEC method) | I_{FSM} | 400 | | | | | | | A |
| Forward Voltage per element @I _F =4.0A and 25°C | V_F | 1.1 | | | | | | | V |
| Maximum DC Reverse Current @T _J =25°C at Rated DC Blocking Voltage @T _J =125°C | I_R | 5 500 | | | | | | | μA |
| I ² t Rating for Fusing(3ms≤t≤8.3ms) | I^2t | 664 | | | | | | | A ² S |
| Operating and Storage Temperature Range | T _j , T _{stg} | -55 ~ +150 | | | | | | | °C |

(1) Measured at 1 MHz and applied reverse voltage of 4 V D.C

(2) Thermal Resistance Junction to Case, Lead and Ambient.

Fig. 1 - Forward Current Derating Curve

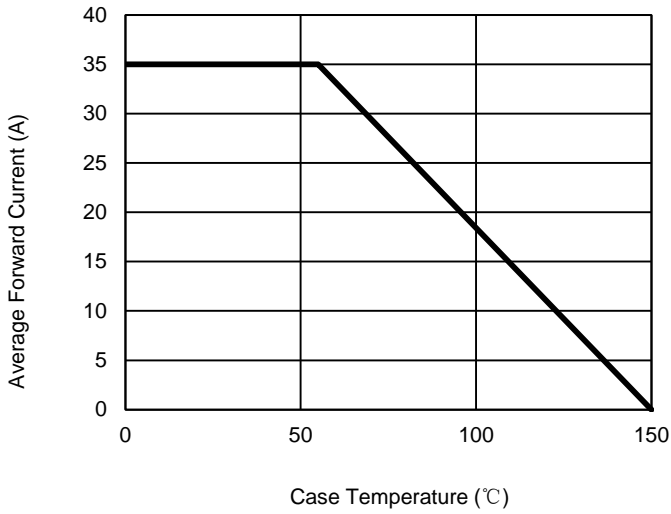


Fig. 2 - Maximum Non-Repetitive Surge Current

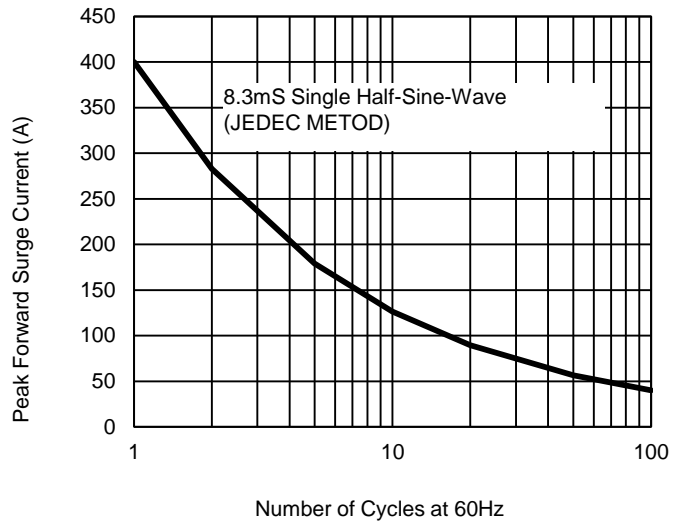


Fig. 3 - Typical Reverse Characteristics

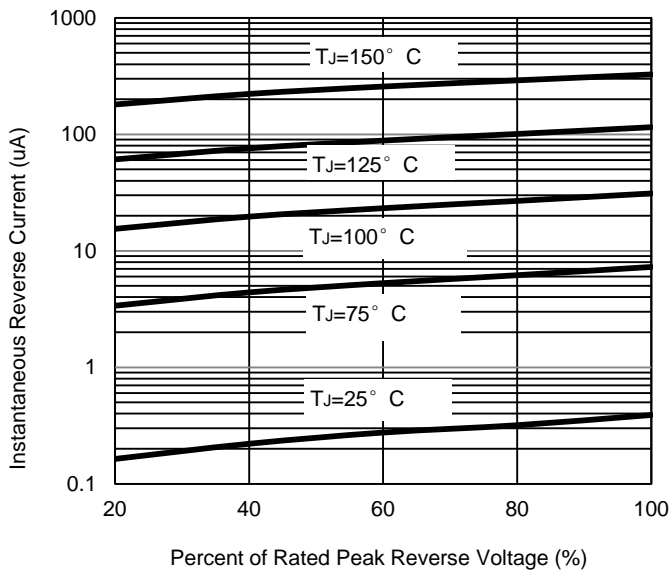
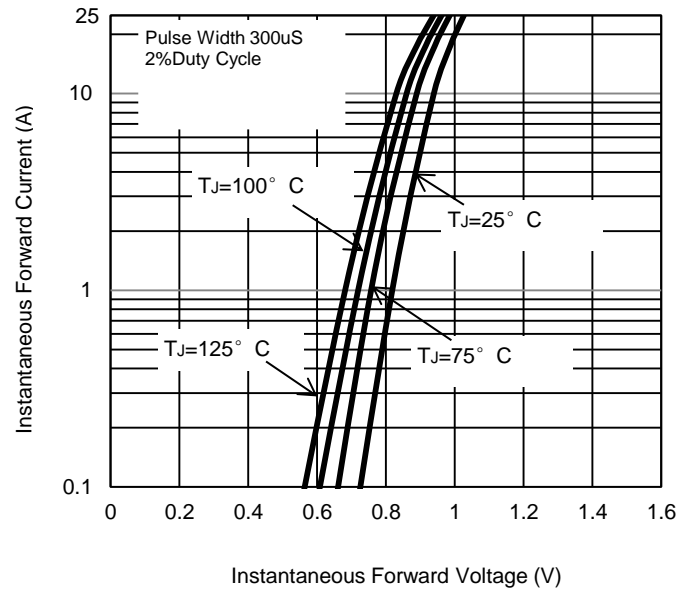
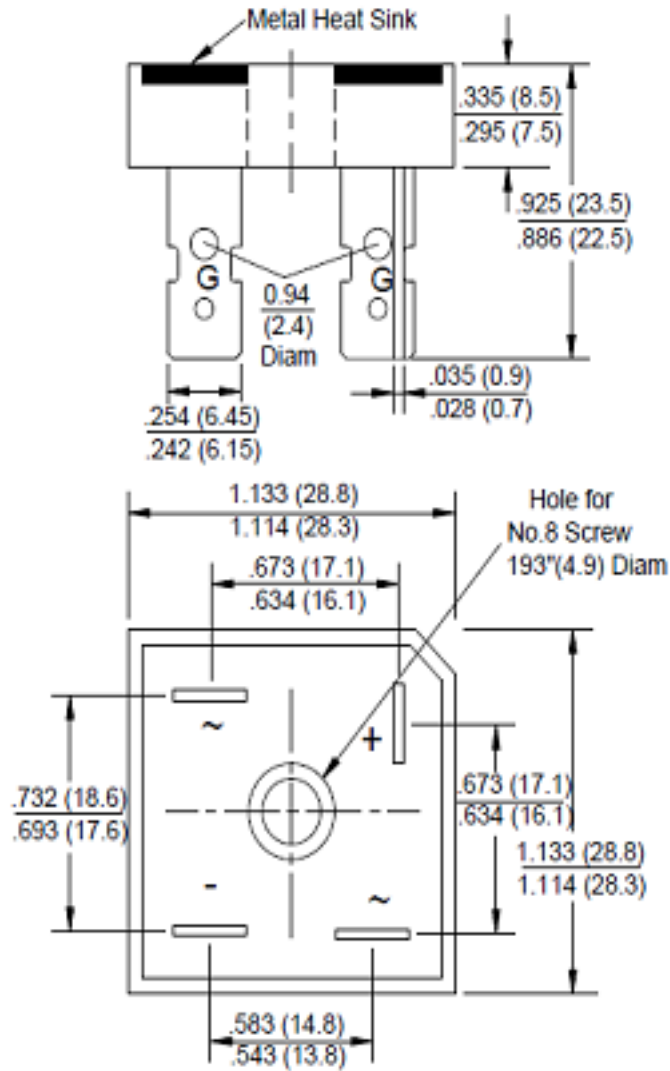


Fig. 4 - Typical Forward Characteristics



Package Outline

GBPC



Summary of Packing Options

| Package | Packing Description | Packing Quantity | Industry Standard |
|---------|---------------------|------------------|-------------------|
| GBPC | BOX | 50 | EIA-481-1 |

单击下面可查看定价，库存，交付和生命周期等信息

[>>YFW\(佑风微\)](#)