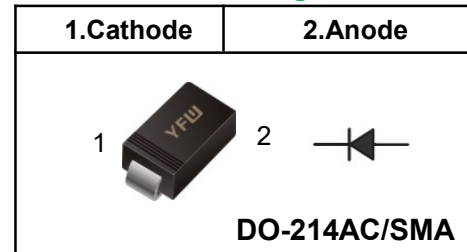


General Purpose Diode
Reverse Voltage - 2000 V
Forward Current - 1 A
Features

- ◆The plastic package carries UL Flammability Classification 94V-0
- ◆For surface mounted applications
- ◆Low reverse leakage
- ◆Built-in strain relief, ideal for automated placement
- ◆High forward surge current capability
- ◆High temperature soldering guaranteed:260°C/10 seconds at terminals

Mechanical Characteristics

- ◆Case: SMA (DO-214AC) package molded plastic body over passivated chip
- ◆Terminals: Solder plated, solderable per MIL-STD-750, Method 2026
- ◆Polarity: Color band denotes cathode end
- ◆Mounting Position: Any

Pinning


EM520	H2000
--------------	--------------

Parameter	Symbols	EM520	Units
Maximum repetitive peak reverse voltage	V_{RRM}	2000	V
Maximum RMS voltage	V_{RMS}	1400	V
Maximum DC blocking voltage	V_{DC}	2000	V
Maximum average forward rectified current	I_{AV}	1	A
Peak forward surge current ^(NOTE1)	I_{FSM}	30	A
Maximum instantaneous forward voltage at 1A	V_F	1.1	V
Maximum DC reverse current at rated DC blocking voltage	$T_A=25\text{ }^{\circ}\text{C}$ I_R	5	μA
	$T_A=100\text{ }^{\circ}\text{C}$ I_{RT}	100	μA
Typical junction capacitance ^(NOTE 2)	C_J	15	pF
Typical Thermal Resistance Junction to Ambient ^(NOTE3)	$R_{\theta JA}$	85	$^{\circ}\text{C/W}$
Typical Thermal Resistance Junction to Lead ^(NOTE3)	$R_{\theta JL}$	28	$^{\circ}\text{C/W}$
Operating Temperature Range	T_J	-55 to 150	$^{\circ}\text{C}$
Storage Temperature Range	T_{STG}	-55 to 150	$^{\circ}\text{C}$

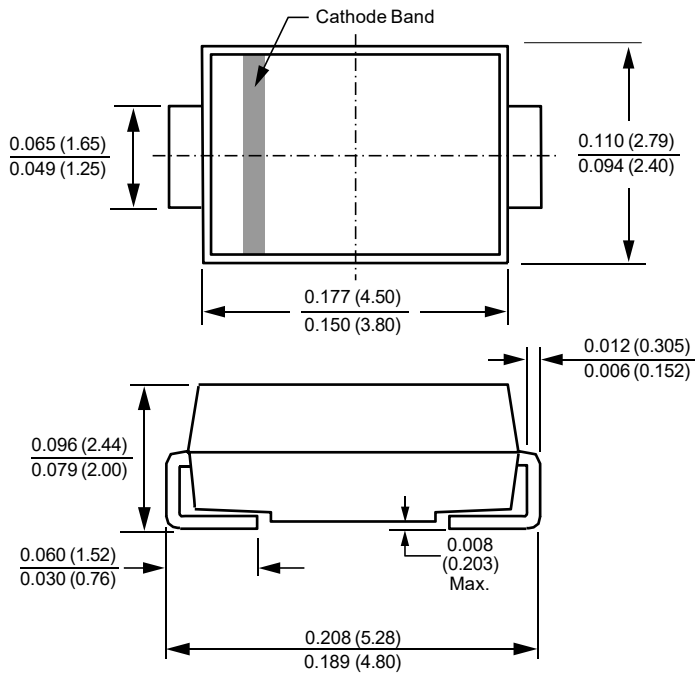
Note1: 8.3ms single half sine-wave superimposed on rated load

Note2: Measured at 1MHz and applied reverse voltage of 4.0V DC.

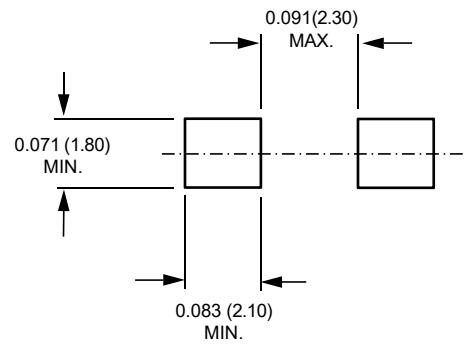
Note3: PCB. mounted with 5×5mm copper pad areas

Package Outline

DO-214AC SMA



Mounting Pad Layout



Summary of Packing Options

Package	Packing Description	Packing Quantity	Industry Standard
DO-214AC SMA	Tape/Reel, 11" reel	5000	EIA-481-1
	Tape/Reel, 7" reel	2000	EIA-481-1

单击下面可查看定价，库存，交付和生命周期等信息

[>>YFW\(佑风微\)](#)