

Surface mount transient voltage suppressor power 200 watts
Stand-Off Voltage: 3.3V

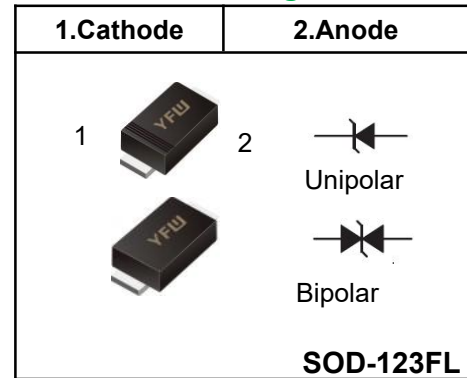
FEATURES

- ◆Glass passivated chip
- ◆200 W peak pulse power capability with a 10/1000 us waveform, repetitive rate (duty cycle):0.01 %
- ◆Excellent clamping capability
- ◆Low reverse leakage
- ◆Very fast response time
- ◆Lead and body according with RoHS standard

MECHANICAL DATA

- ◆Case: SOD-123FL
- ◆Lead: Solderable per MIL-STD-750, method 2026
- ◆Epoxy: UL 94V-0 rate flame retardant
- ◆Polarity: Color band denotes cathode end except Bipolar
- ◆Mounting position: Any
- ◆Approx. Weight: 15mg / 0.00048oz

Pinning



Maximum Ratings and Electrical characteristics
Ratings at 25 ambient temperature unless o °C therwise specified.

Parameter	Symbol	Value	Unit
Peak power dissipation with a 10/1000 us waveform(1)	P_{PP}	200	W
Peak pulse current wih a 10/1000 us waveform(1)	I_{PP}	See Next Table	A
Power dissipation on infinite heatsink at TL = 75 °C	P_D	1.0	W
Peak forward surge current, 8.3 ms single half sinewave unidirectional only(2)	I_{FSM}	30	A
Maximum instantaneous forward voltage at 10 A for unidirectional only(3)	V_F	3.5/6.5	V
Operating junction and storage temperature range	T_J, T_{STG}	-50 to +150	°C

NOTES

- 1.Non-repetitive current pulse per Fig.5 and derated above TA= 25 °C per Fig.1;
- 2.Measured on 8.3 ms single half sine-wave or equivalent square wave, duty cycle = 4 pulses per minute maximum;
- 3.VF<3.5V for devices of VBR<200V and VF<6.5V for devices of VBR>201V。

Part Number		Device Marking Code		Reverse Stand-off Voltage	Breakdown Voltage VBR @ IT		Test Current	Max. Clamping Voltage @ IPP	Max. Peak Pulse Current	Max. Reverse Leakage @ VRWM
UNI-POLAR	BI-POLAR	UNI	BI	VRWM (V)	Min. (V)	Max. (V)	IT (mA)	VC MAX. (V)	IPP (A)	IR (uA)
SMF3.3A	SMF3.3CA	HZ	GZ	3.3	4.30	5.30	10	7.3	27.40	800

Ratings and Characteristics Curves (TA=25°C unless otherwise noted)

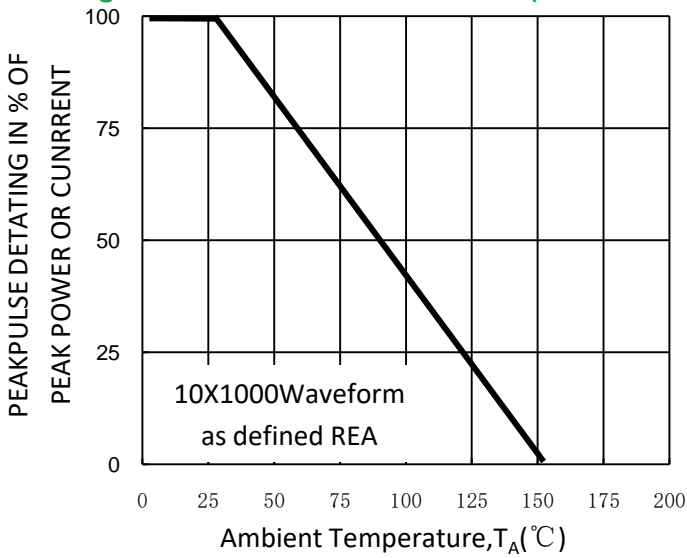


Fig. 1-Pulse Derating Curve

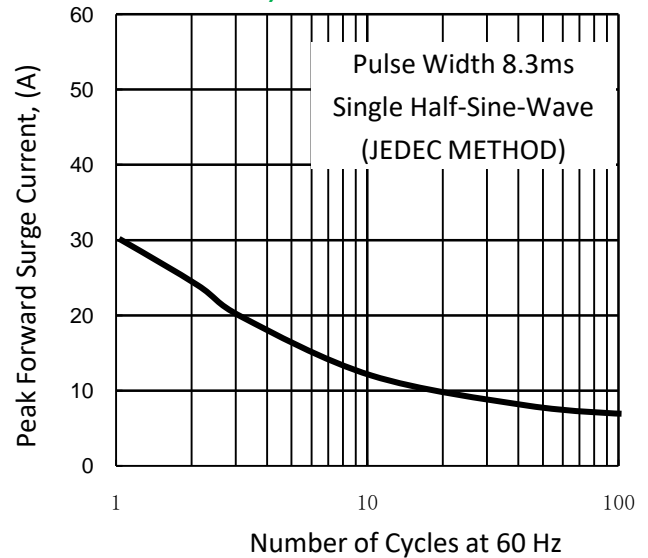


Fig. 2-Maximum Non-Repetitive Surge Current

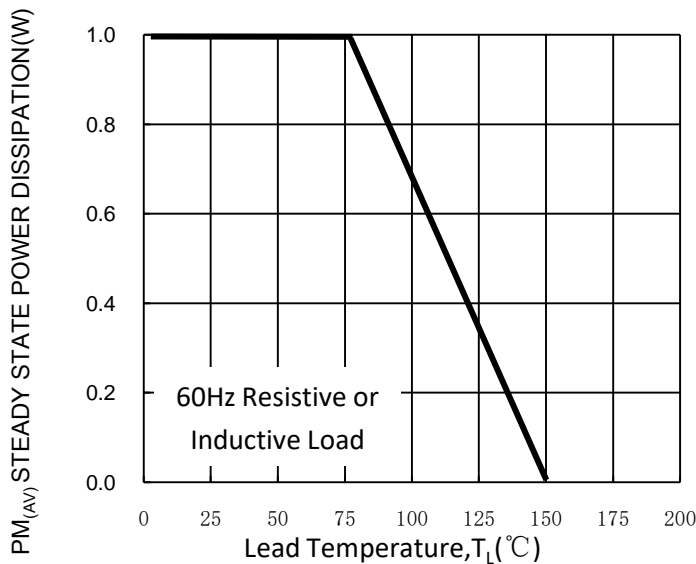


Fig. 3-Steady State Power Derating Curve

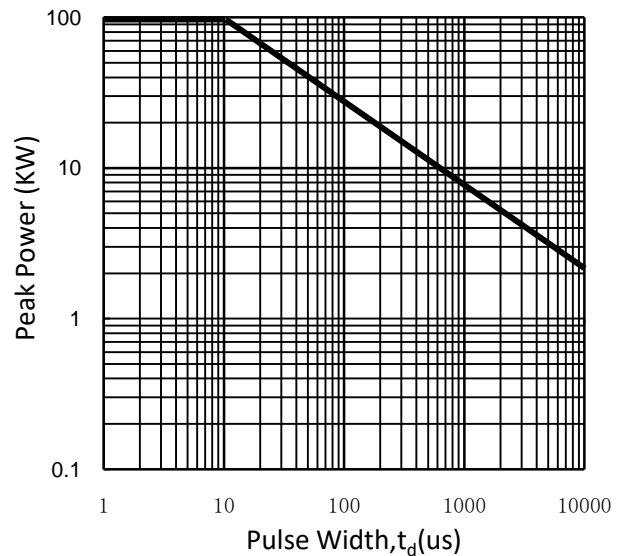


Fig. 4-Peak Pulse Power Rating Curve

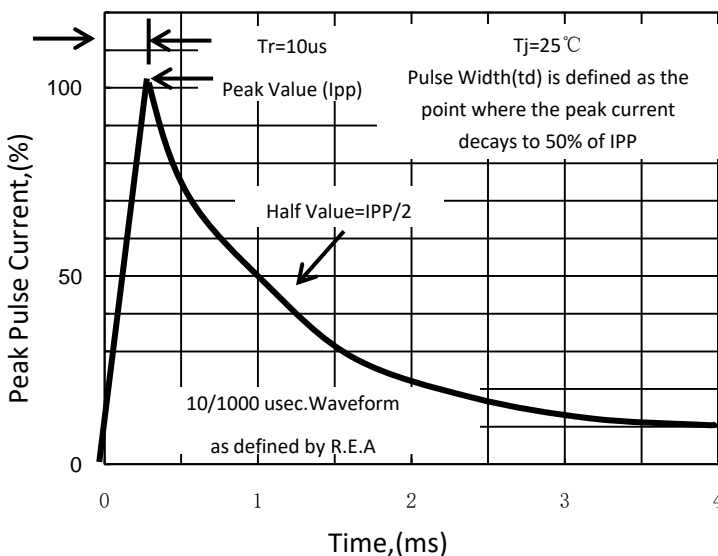


Fig. 5-Pulse Waveform

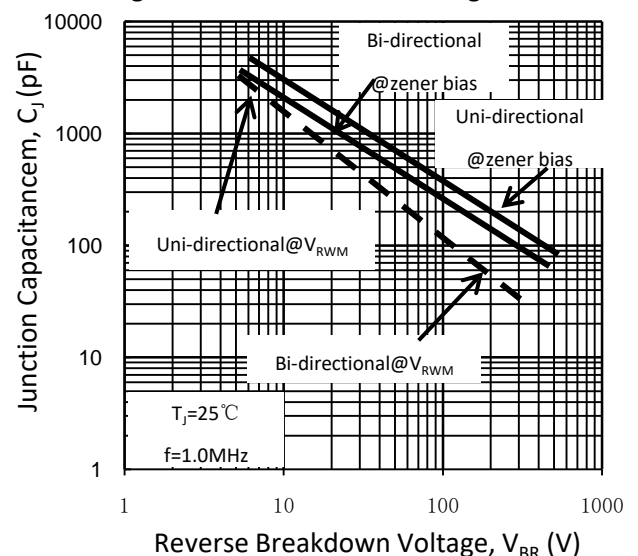
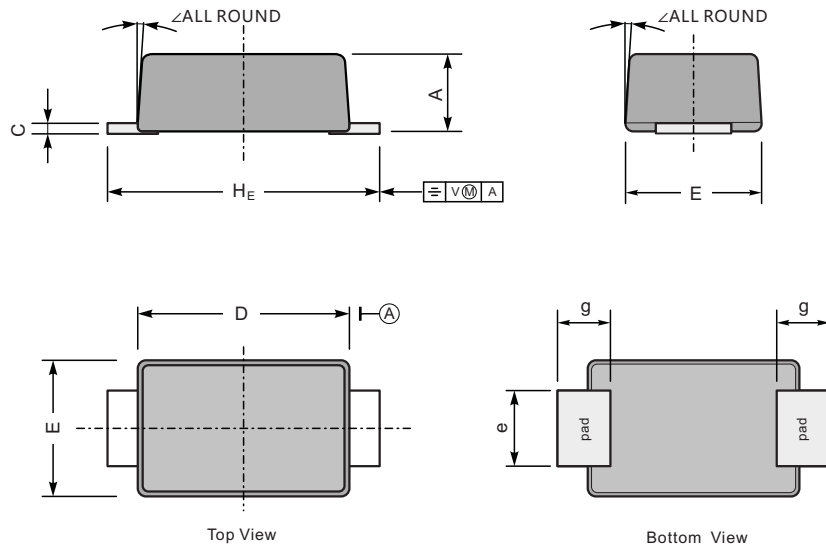


Fig. 6-Typical Junction Capacitance

Package Outline

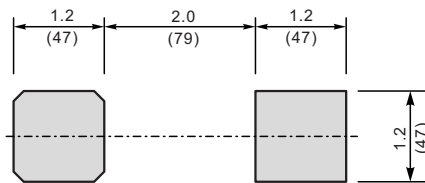
SOD-123FL

Plastic surface mounted package; 2 leads



UNIT		A	C	D	E	e	g	H_E	\angle
mm	max	1.3	0.20	2.9	1.9	1.1	0.9	3.8	7°
	min	0.9	0.12	2.6	1.7	0.8	0.7	3.5	
mil	max	43	7.9	114	75	43	35	150	
	min	35	4.7	102	67	31	28	138	

The recommended mounting pad size



Unit: $\frac{\text{mm}}{\text{mil}}$

Summary of Packing Options

Package	Packing Description	Packing Quantity	Industry Standard
SOD-123FL	Tape/Reel, 13" reel	10000	EIA-481-1
	Tape/Reel, 7" reel	3000	EIA-481-1

单击下面可查看定价，库存，交付和生命周期等信息

[>>YFW\(佑风微\)](#)