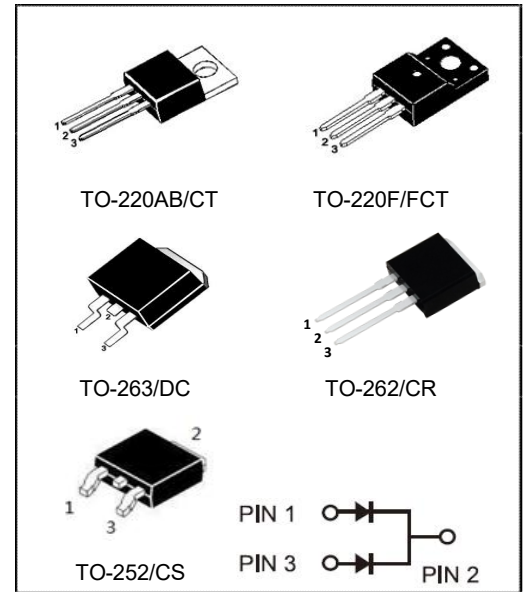


SCHOTTKY BARRIER RECTIFIER
Reverse Voltage - 100 V
Forward Current - 30 A
FEATURES

- Low forward voltage
- High current capability
- High forward surge capability
- Low power losses, High efficiency
- Guarding for over voltage protection

MECHANICAL DATA

- Case: Molded plastic
- Polarity: As marked
- Mounting Position: Any
- Molded Plastic: UL Flammability Classification Rating 94V-0
- Lead free in compliance with EU RoHS 2011/65/EU directive
- Solder bath temperature 275°C maximum, 10s per JESD 22-B106


Primary Characteristic

| | |
|--------------------------|--------------|
| I_o | 2*15A |
| V_{RRM} | 100V |
| I_{FSM} | 350A |
| V_F | 0.68V |
| T_J Max | 150°C |

Maximum Ratings (Per Leg) at Ta=25°C unless otherwise specified

| Characteristics | | Symbol | Value | Unit |
|--|---------|------------------|-------------|------|
| Maximum Repetitive Peak Reverse Voltage | | V _{RRM} | 100 | V |
| Working Peak Reverse Voltage | | V _{RWM} | 70 | V |
| Maximum DC Blocking Voltage | | V _{DC} | 100 | V |
| Maximum Average Forward Rectified Current | Per Leg | I _o | 15 | A |
| | Total | | 30 | |
| Peak Forward Surge Current, 8.3 ms Single Half Sine-wave Superimposed on Rated Load (JEDEC method) | | I _{FSM} | 350 | A |
| Operating Temperature Range | | T _J | 150 | °C |
| Storage Temperature Range | | T _{STG} | -40 to +150 | °C |
| Typical Thermal Resistance (Note1) TO-220AB, TO-263, TO-220F | | R _{θJC} | 2 | °C/W |
| | | | 4 | |

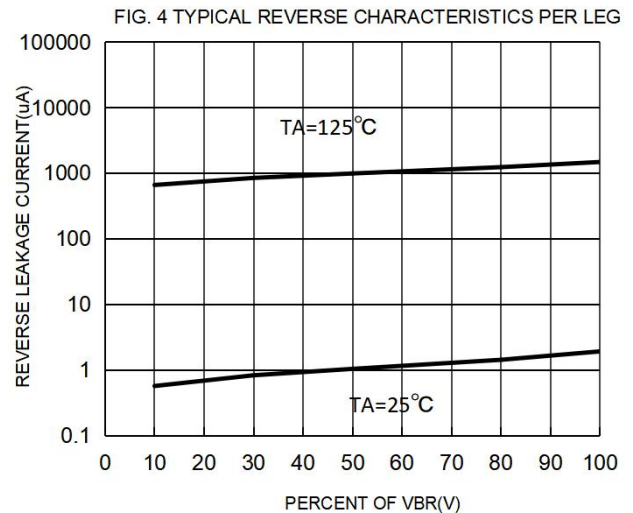
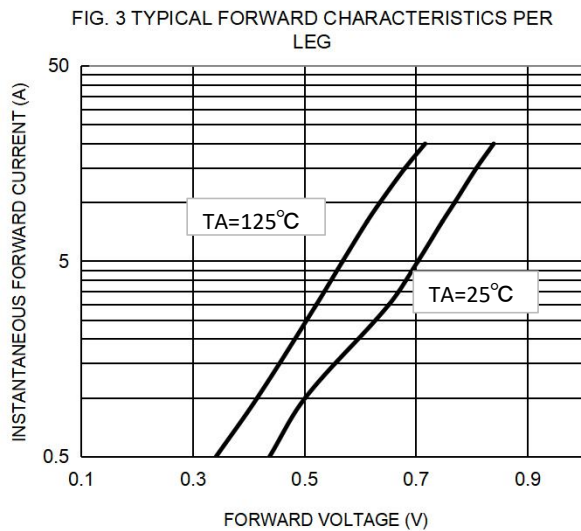
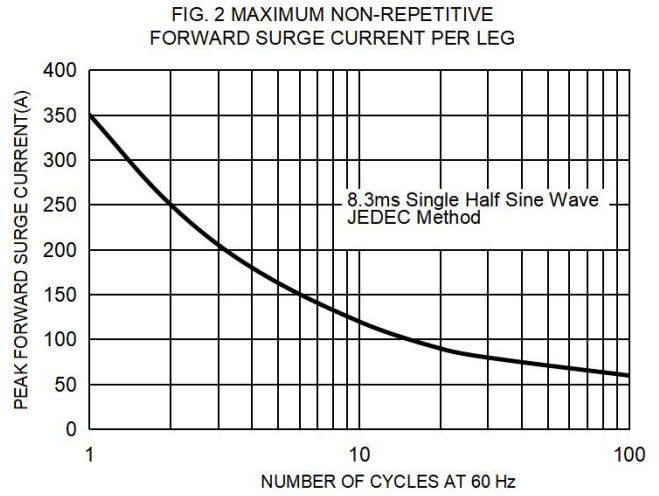
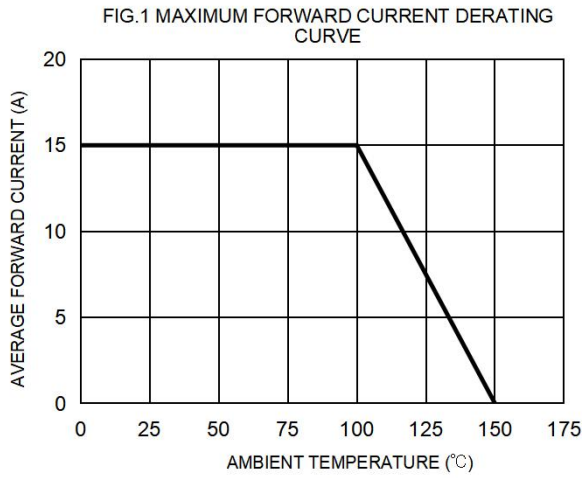
Note1: Thermal resistance from Junction to case per leg mounted on heatsink.

Electrical Characteristics (Per Leg) unless otherwise specified

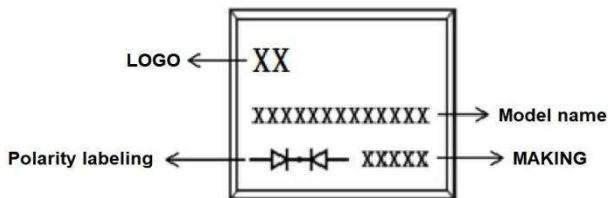
| Characteristics | | Symbol | Value | | Unit |
|---|----------|----------------|-------|------|------|
| Forward Voltage Drop (Note2) | | V _F | Typ. | Max. | V |
| at I _F =5A | TA=25°C | | 0.71 | - | |
| | TA=125°C | | 0.57 | - | |
| at I _F =10A | TA=25°C | | 0.77 | 0.85 | |
| | TA=125°C | | 0.64 | - | |
| at I _F =15A | TA=25°C | | 0.81 | 0.88 | |
| | TA=125°C | | 0.68 | - | |
| Maximum Reverse Current at V _R =100V | TA=25°C | I _R | 0.6 | 10 | μA |
| | TA=125°C | | 0.6 | - | mA |

Note2: Pulse test: 300 μs pulse width, 1 % duty cycle

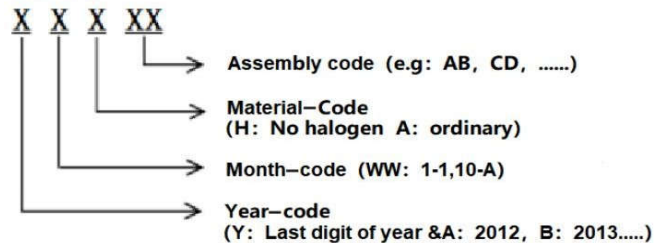
RATINGS AND CHARACTERISTIC CURVES



Marking on the body



MAKING:



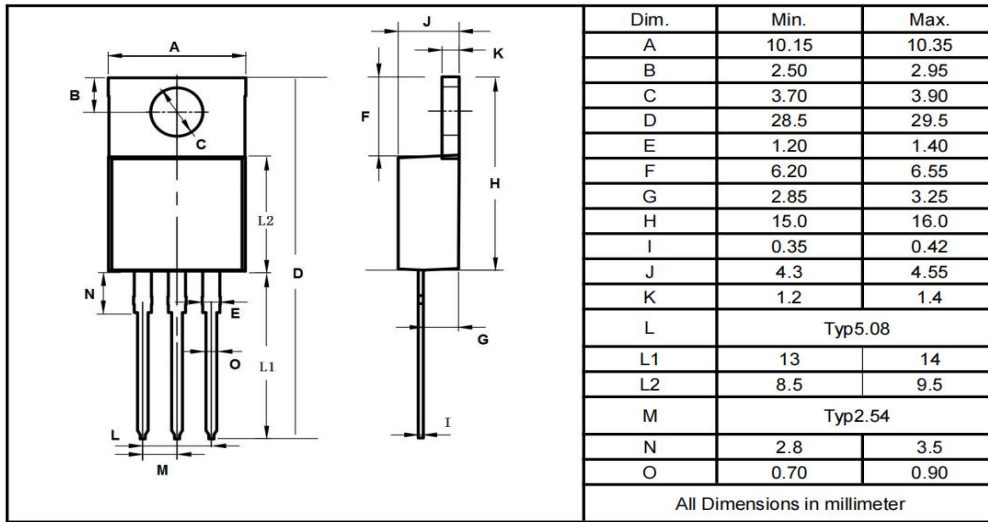
Ordering information

| Part Number | Package | Unit Weight | Base Quantity | Delivery mode |
|-------------|----------|----------------|-----------------|-----------------------------|
| MBR30100CT | TO-220AB | 0.07oz(1.96g) | 50 pcs / tube | 1000pcs/box 5000pcs/carton |
| MBR30100FCT | TO-220F | 0.06oz(1.74g) | 50 pcs / tube | 1000pcs/box 5000pcs/carton |
| MBR30100DC | TO-263 | 0.04oz(1.16g) | 800 pcs / reel | 1600pcs/box 8000pcs/carton |
| MBR30100CR | TO-262 | 0.04oz(1.16g) | 50 pcs / tube | 1000pcs/box 5000pcs/carton |
| MBR30100CS | TO-252 | 0.011oz(0.32g) | 2500 pcs / reel | 5000pcs/box 25000pcs/carton |

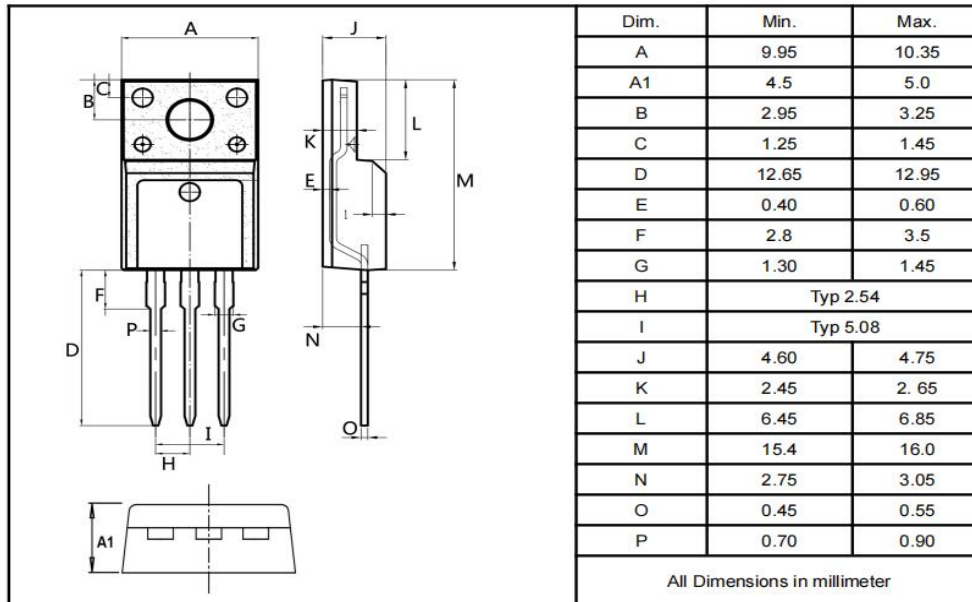
Note: For Halogen Free molding compound, add "H" suffix to part number above.

Package Outline Dimensions millimeters

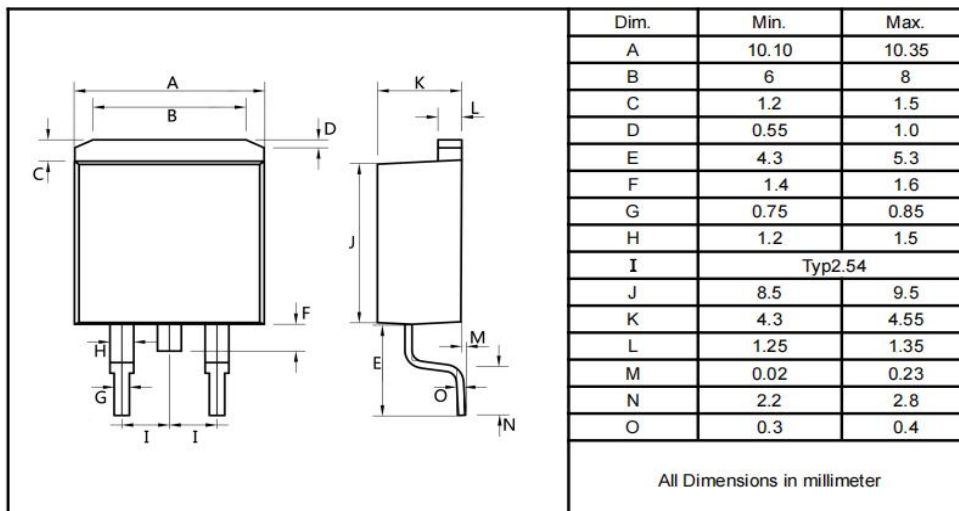
TO-220AB



TO-220F

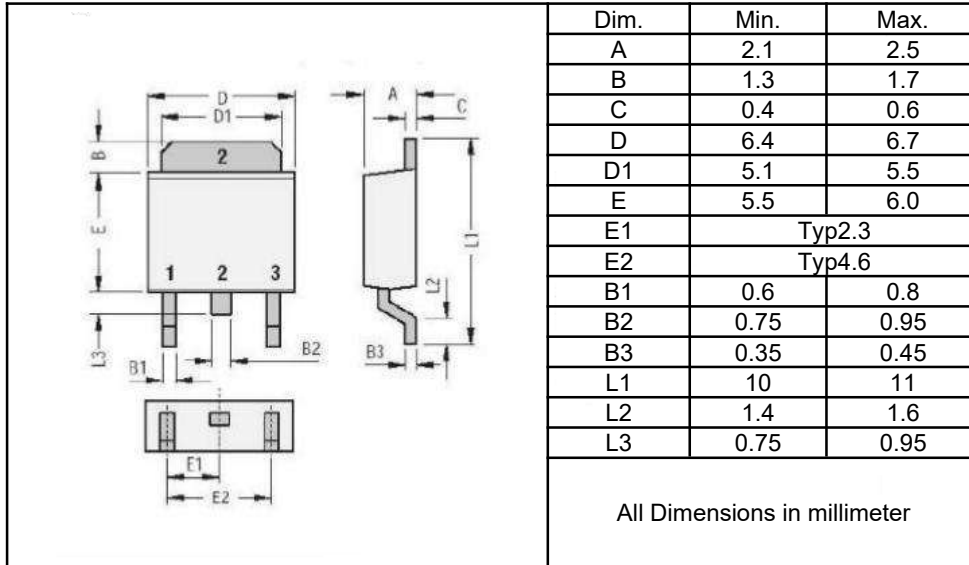


TO-263

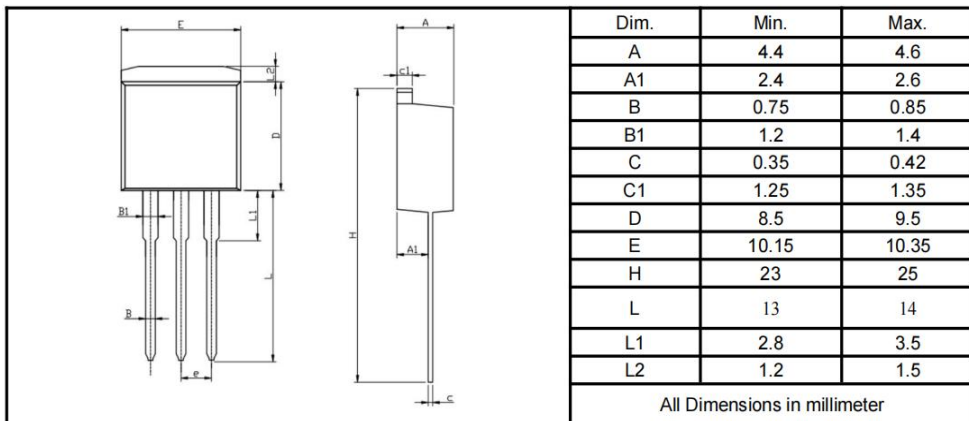


Package Outline Dimensions millimeters

TO-252



TO-262



单击下面可查看定价，库存，交付和生命周期等信息

[>>YFW\(佑风微\)](#)