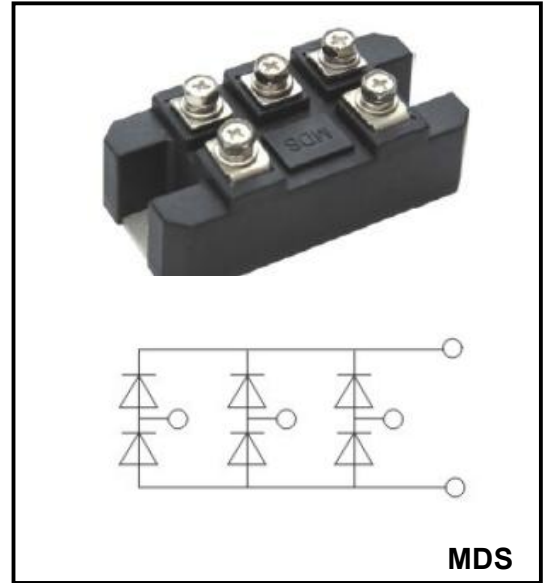


Three-phase bridge rectifier modules

Features

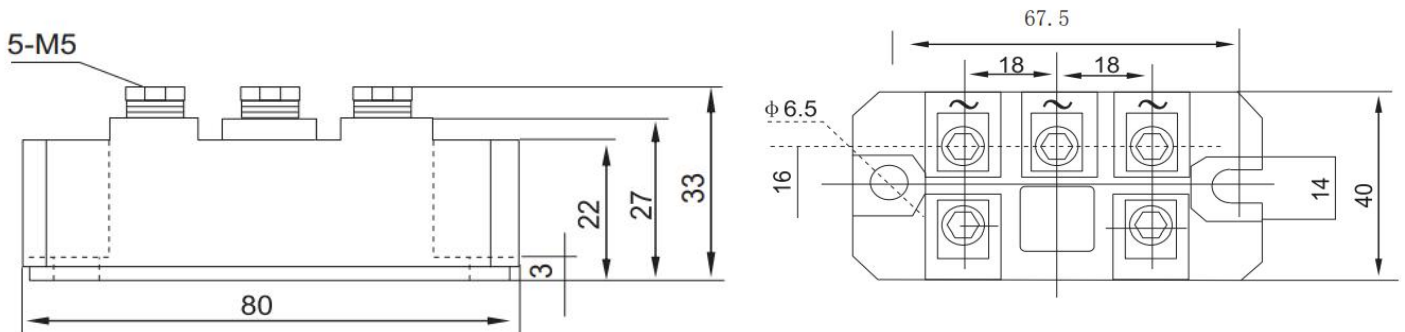
- ◆ Noninsulated and common electrode for base.
- ◆ International standard packaging.
- ◆ Total pressure structure, good ability of temperature characteristic and power cycle.
- ◆ Maximum operating junction temperature.
- ◆ High surge current.
- ◆ Low peak on-state voltage.



MDS

Type	I _d @T _c		VRRM	VFM@IFM		I _{RRM}	I _{F(AV)}	I _{F(RMS)}	I _{FSM}	I ² T	V _{FO}	R _F	R _{jc}	T _{jm}	V _{iso}
	A	A	V	V	A	mA	A	A	A×10 ³	A ² s×10 ⁴	v	mΩ	°C/W	°C	V _(A.C)
MDS30	30	100	600~1600	1.1	30	2	10	25	0.5	0.12	0.80	9.0	0.44	150	2500
MDS50	50	100	600~1600	1.2	50	4	17	39	0.75	0.28	0.80	9.0	0.3	150	2500
MDS75	75	100	600~1600	1.25	75	4	25	47	1.00	0.51	0.80	7.0	0.24	150	2500
MDS100	100	100	600~1600	1.30	100	8	33	51	1.20	0.72	0.80	4.5	0.2	150	2500
MDS150	150	100	600~1600	1.20	150	10	50	71	1.50	1.14	0.80	3.8	0.14	150	2500
MDS175	175	100	600~1600	1.51	175	12	58	83	2.70	3.88	0.80	3.1	0.14	150	2500
MDS200	200	100	600~1600	1.35	200	15	67	95	2.1	2.21	0.80	2.8	0.1	150	2500

Outside Dimension



单击下面可查看定价，库存，交付和生命周期等信息

[>>YFW\(佑风微\)](#)