

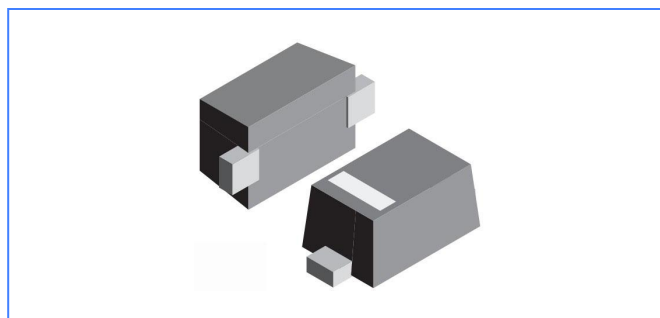
## ESD24VD5

### Description

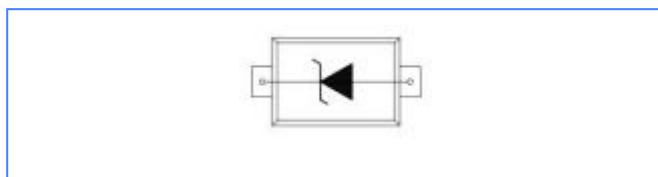
ESD24VD5 is designed to protect voltage sensitive components from ESD and transient voltage events. Excellent clamping capability, low leakage, and fast response time, make these parts ideal for ESD protection on designs where board space is at a premium.

### Features

- 200 Watts Peak Pulse Power per Line (tp=8/20μs)
- Operating voltage: 24V
- Low leakage current
- Package: SOD-523
- Low clamping voltage
- Complies with following standards:
  - IEC 61000-4-2 (ESD) immunity test
    - Air discharge: ±15kV
    - Contact discharge: ±8kV



### Functional Diagram



### Applications

- Cellular Handsets and Accessories
- Portable Electronics
- Industrial Controls
- Set-Top Box
- Instrumentation
- Servers, Notebook, and Desktop PC
- Display Ports

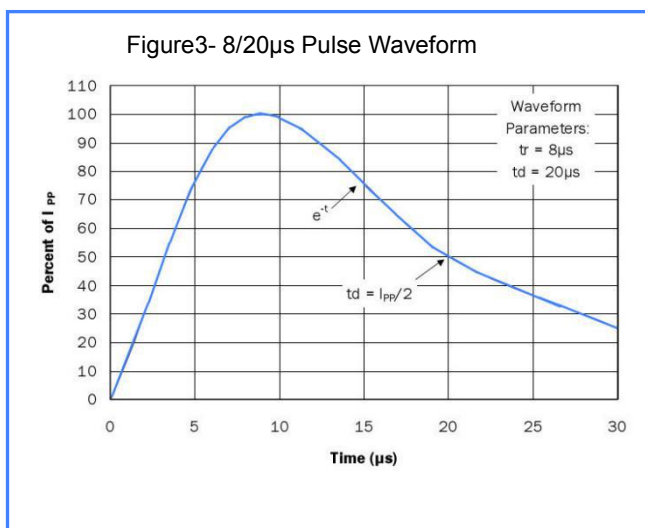
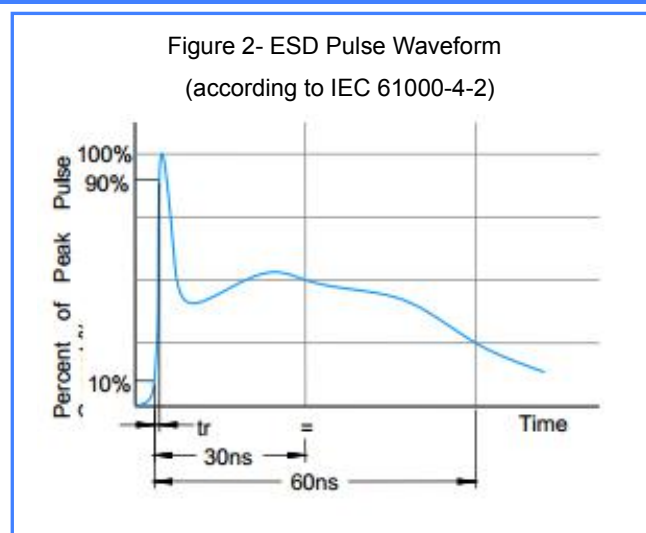
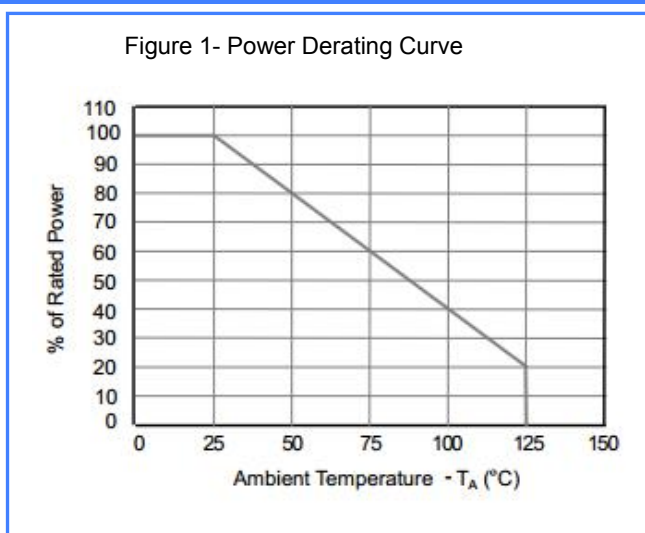
### Absolute Maximum Ratings(Tamb=25°C unless otherwise specified)

Parameter	Symbol	Value	Unit
Peak Pulse Power (8/20μs)	P <sub>PP</sub>	200	Watts
ESD per IEC 61000-4-2 (Air)	V <sub>ESD</sub>	± 15	KV
ESD per IEC 61000-4-2 (Contact)		± 8	KV
Lead Soldering Temperature	TL	260 (10 sec)	°C
Operating Temperature Range	T <sub>J</sub>	-55 to +125	°C
Storage Temperature Range	T <sub>STJ</sub>	-55 to +150	°C

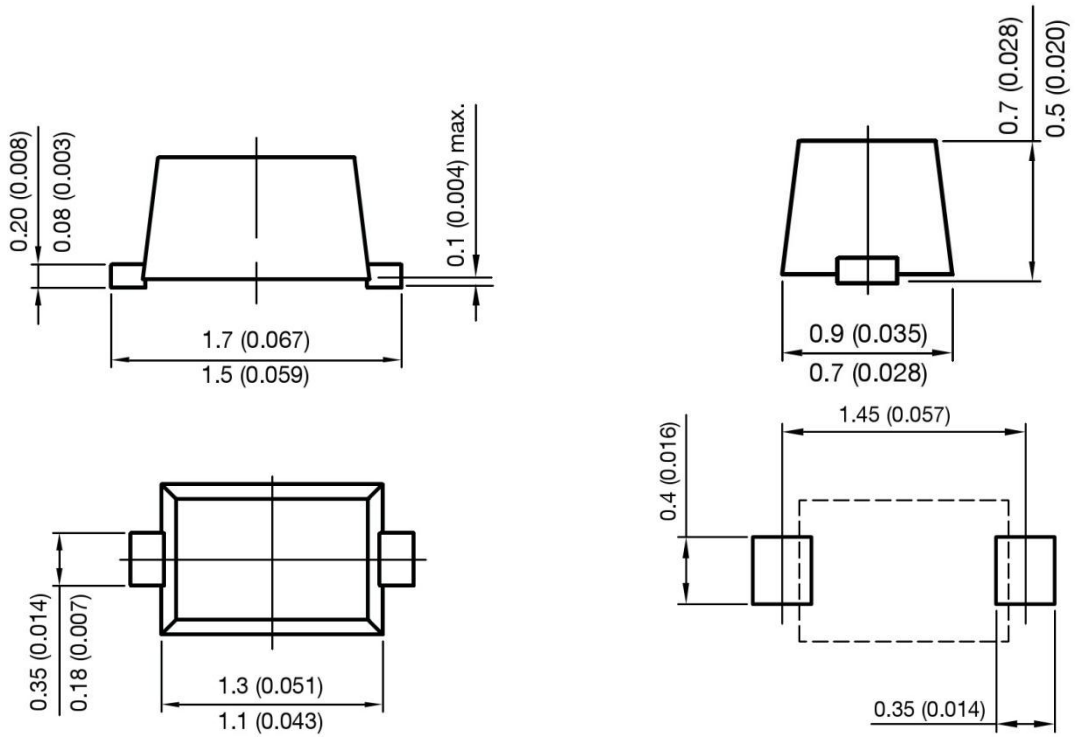
**Electrical Characteristics (TA = 25 °C unless otherwise noted)**

Parameter	Symbol	Conditions	Min.	Typ.	Max.	Units
Reverse Stand-off Voltage	$V_{RWM}$				24	V
Reverse Breakdown Voltage	$V_{BR}$	$I_t = 1mA$	27			V
Reverse Leakage Current	$I_R$	$V_R = V_{RWM}$			1	$\mu A$
Clamping Voltage	$V_C$	$I_{PP}=1A, t_P = 8/20\mu s$			40	V
Clamping Voltage	$V_C$	$I_{PP}=5A, t_P = 8/20\mu s$			45	V
Junction Capacitance	$C_J$	$V_R=0V, f = 1MHz$			40	pF

**Characteristics Curves**



**PACKAGE OUTLINE DIMENSIONS in millimeters (inches) :SOD523**



**Mounting Pad Layout**

**Disclaimer**

Specifications are subject to change without notice.

The device characteristics and parameters in this data sheet can and do vary in different applications and actual device performance may vary over time.

Users should verify actual device performance in their specific applications.

单击下面可查看定价，库存，交付和生命周期等信息

[>>Yint\(音特电子\)](#)