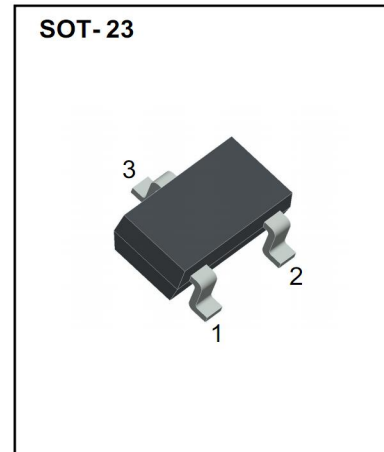
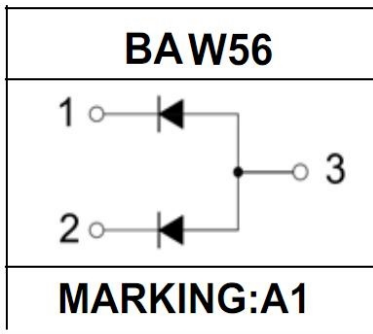


# BAW56

## FEATURES:

- High Conductance
- Fast Switching Speed
- For General Purpose Switching Applications



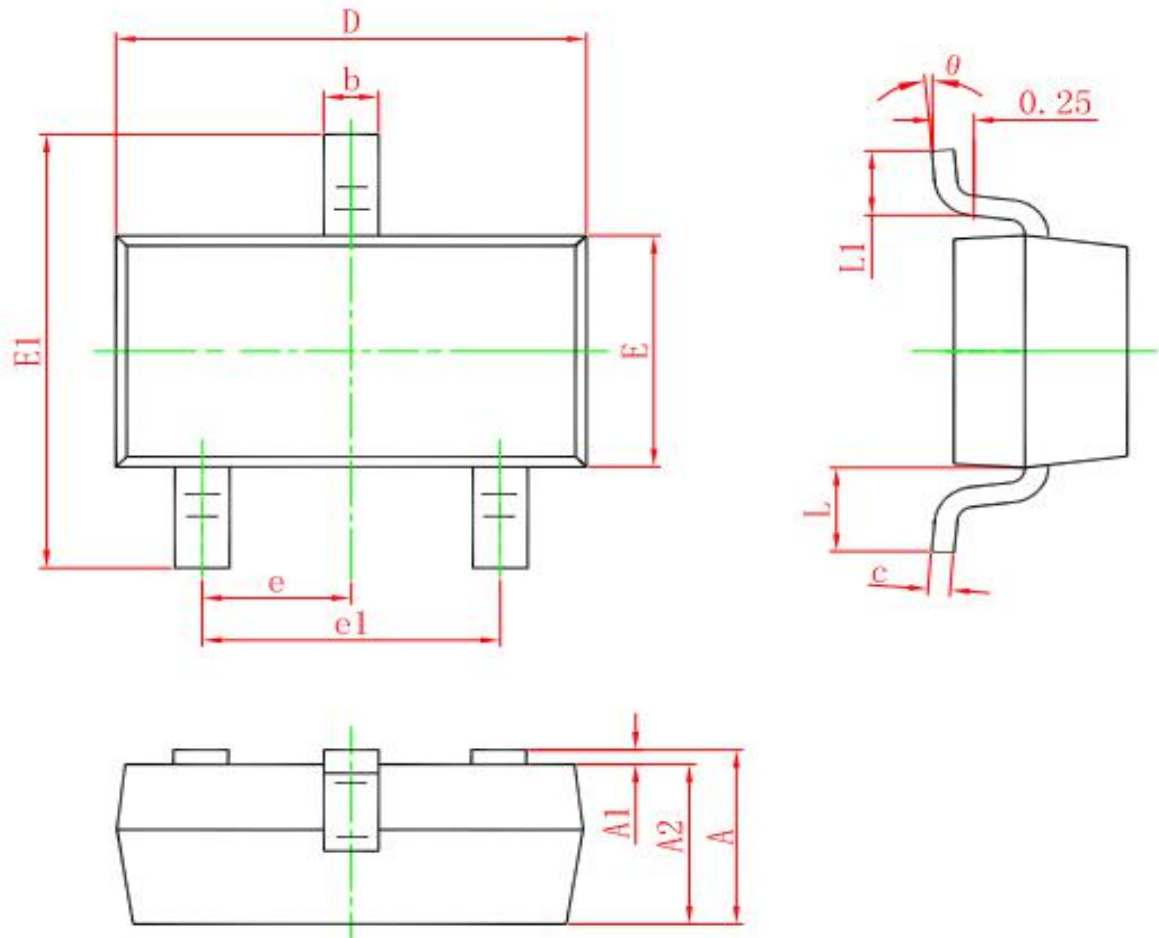
Solid dot = Green molding compound device, if none, the normal device.

### Maximum ratings (@Ta=25°C)

| Parameter  | Symbol | Limit    | Unit |
|--|--------|----------|------|
| Reverse Voltage                                    | VR     | 70       | V    |
| Forward Current                                    | IF     | 200      | mA   |
| Non-Repetitive Peak Forward Surge Current @t=8.3ms | IFSM   | 2.0      | A    |
| Power Dissipation                                  | PD     | 225      | mW   |
| Thermal Resistance from Junction to Ambient        | RθJA   | 556      | °C/W |
| Junction Temperature                               | TJ     | 150      | °C   |
| Storage Temperature Range                          | TSTG   | -55~+150 | °C   |

### Electrical Characteristics (@Ta=25°C)

| Parameter                     | Symbol          | Test Condition                                    | Min | Typ | Max   | Unit |
|-------------------------------|-----------------|---|-----|-----|-------|------|
| Reverse breakdown voltage     | V(BR)           | IR=100μA  | 70  |     |       | V    |
| Forward voltage               | VF1             | IF=1mA  |     |     | 0.715 | V    |
|                               | VF2             | IF=10mA   |     |     | 0.855 | V    |
|                               | VF3             | IF=50mA   |     |     | 1     | V    |
|                               | VF4             | IF=150mA  |     |     | 1.25  | V    |
| Reverse current               | IR              | VR=70V  |     |     | 2.5   | μA   |
| capacitance Between terminals | Ctot            | VR=0V, f=1MHz                                     |     |     | 1.5   | PF   |
| Reverse recovery time         | t <sub>rr</sub> | IF=IR=10mA,<br>I <sub>rr</sub> =0.1×IR, RL= 100 Ω |     |     | 6     | nS   |

**SOT-23 PACKAGE OUTLINE DIMENSIONS**


| Symbol   | Dimensions In Millimeters |       | Dimensions In Inches |       |
|----------|---------------------------|-------|----------------------|-------|
|          | Min.                      | Max.  | Min.                 | Max.  |
| A        | 0.900                     | 1.150 | 0.035                | 0.045 |
| A1       | 0.000                     | 0.100 | 0.000                | 0.004 |
| A2       | 0.900                     | 1.050 | 0.035                | 0.041 |
| b        | 0.300                     | 0.500 | 0.012                | 0.020 |
| c        | 0.080                     | 0.150 | 0.003                | 0.006 |
| D        | 2.800                     | 3.000 | 0.110                | 0.118 |
| E        | 1.200                     | 1.400 | 0.047                | 0.055 |
| E1       | 2.250                     | 2.550 | 0.089                | 0.100 |
| e        | 0.950 TYP.                |       | 0.037 TYP.           |       |
| e1       | 1.800                     | 2.000 | 0.071                | 0.079 |
| L        | 0.550 REF.                |       | 0.022 REF.           |       |
| L1       | 0.300                     | 0.500 | 0.012                | 0.020 |
| $\theta$ | 0°                        | 8°    | 0°                   | 8°    |

单击下面可查看定价，库存，交付和生命周期等信息

[>>YONGYUTAI\(永裕泰\)](#)