

Crystal Oscillator

AEC-Q200

YSO140TC



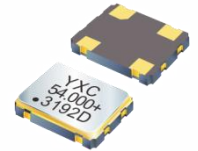
Applications

- Automotive electronics

Features

- Frequency range: 1MHz-54MHz
- AEC-Q200.

- Package Size: 1.6*1.2, 2.0*1.6, 2.5*2.0, 3.2*2.5, 5.0*3.2, 7.0*5.0mm



Specifications (规格参数)

| Item | Symbol | Specifications |
|---------------------------------------|------------------|-----------------------------|
| Frequency Range (额定频率范围) | f _o | 1MHz to 54MHz, or specify |
| Supply Voltage (电源电压) | V _{cc} | 1.8V~3.3V |
| Output Type (输出方式) | - | CMOS |
| Frequency Tolerance (频率偏差) (at 25°C) | f _{tol} | ±50ppm, ±100ppm, or specify |
| Operating Temperature (工作温度) | T _{use} | -40~+125°C, or specify |
| Storage Temperature (储存温度) | T _{stg} | -55~+150°C |
| Duty Cycle (占空比) | SYM | 45~55% |
| Start-up Time (启动时间) | t _{str} | 3ms Max. |
| Rise Time/Fall Time (上升沿/下降沿) | tr/tf | 5ns Max |
| Phase Jitter [12 kHz ~ 20 MHz] (相位抖动) | tpj | 0.7ps max |
| Frequency Aging (老化) (at 25°C) | f _{age} | ±3ppm/year Max. |

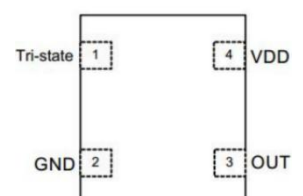
Current Consumption (消耗电流)

| Power Dissipation V _{cc} =1.8~3.3V 15pF only | | |
|---|-------------------------------|------------------|
| Supply Voltage (V) | 1.000~40.000MHZ | 41.000~54.000MHZ |
| | 7050/5032/3225/2520/2016/1612 | |
| 1.8V | 4mA max | 9mA max |
| 2.5V | 4.5mA max | 10mA max |
| 3.3V | 5mA max | 12mA max |

Pin Dimension

| Pin | #1 | #2 | #3 | #4 |
|----------|-----------|-----|--------|-----|
| FUNCTION | Tri-state | GND | OUTPUT | VDD |

Pin Assignments



*The picture on the right is only for PIN function description.

Crystal Oscillator

AEC-Q200

YSO140TC



Dimensions and Recommended land pattern (外观尺寸及推荐焊盘)

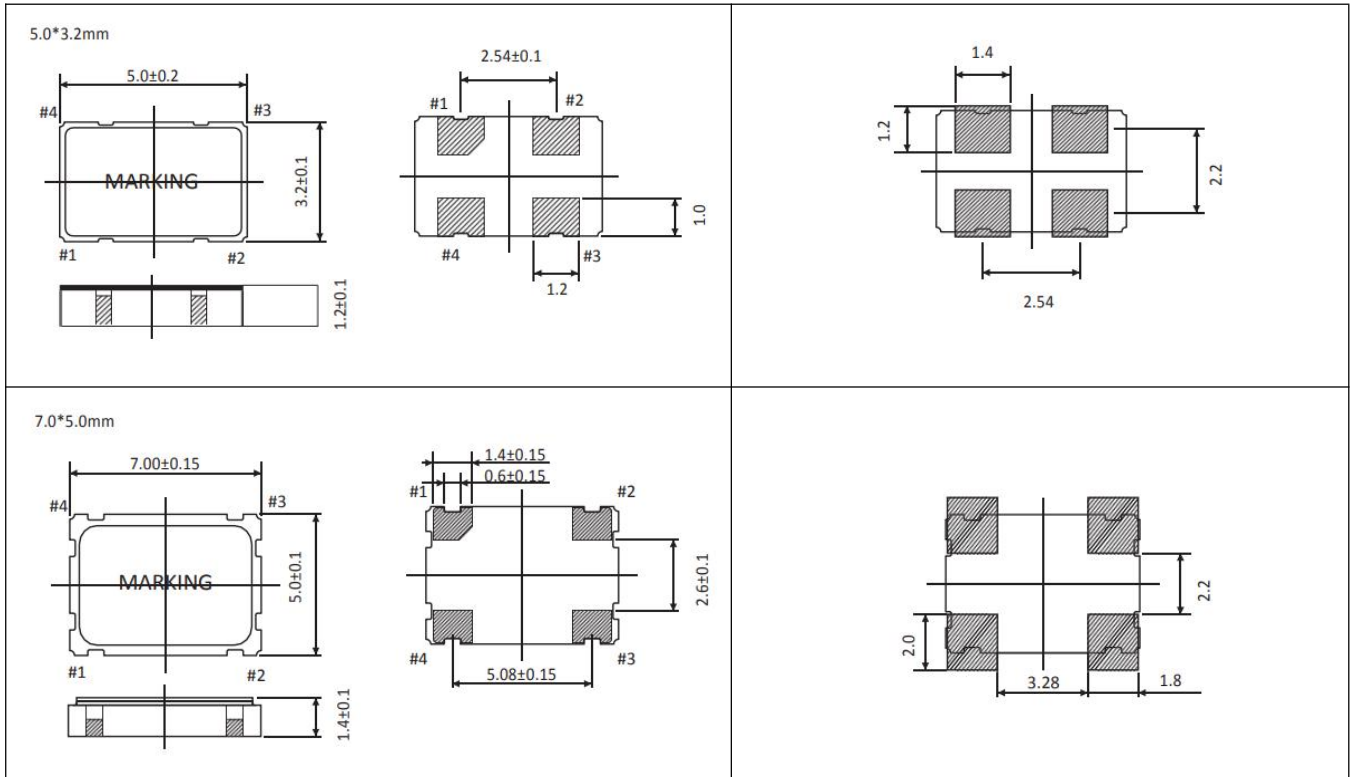
| Package Size – Dimensions (Unit: mm) | Recommended Land Pattern (Unit: mm) |
|--------------------------------------|-------------------------------------|
| <p>1.6*1.2mm</p> | |
| <p>2.0*1.6mm</p> | |
| <p>2.5*2.0mm</p> | |
| <p>3.2*2.5mm</p> | |

Crystal Oscillator

AEC-Q200

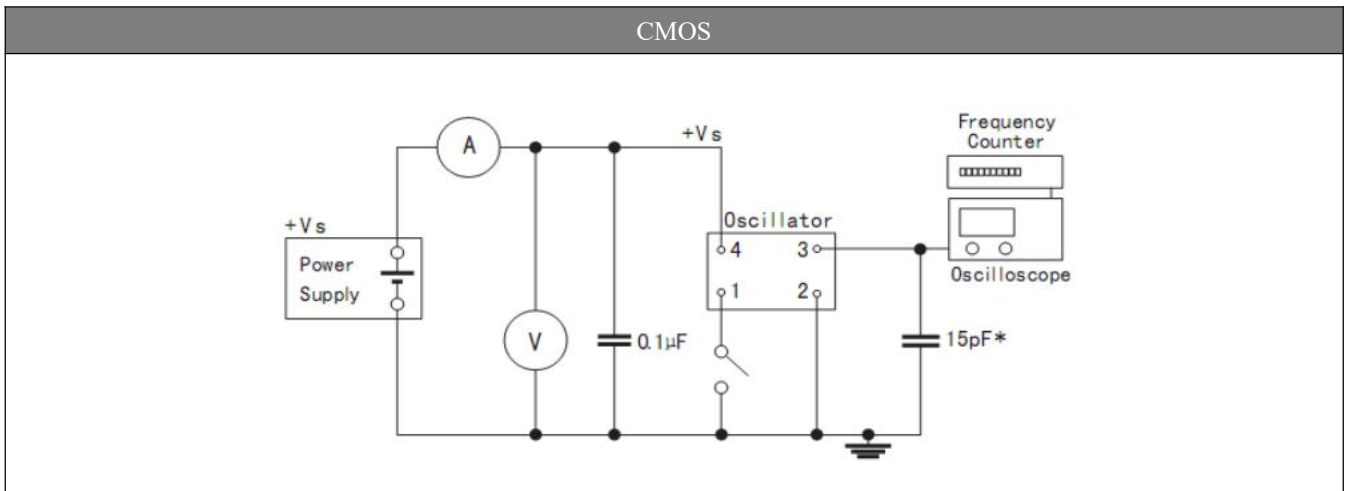


YSO140TC



Notes:
1.A capacitor of value 0.01uf~0.1uf or higher between Vdd and GND is required.

Test Circuit (测试电路)



单击下面可查看定价，库存，交付和生命周期等信息

[>>YXC\(扬兴\)](#)