

CRYSTAL UNIT

32.768KHZ

YSX1610SK *Small Size*



Applications

- RTC.

Features

- Dimensions: 1.60 x 1.00 x 0.50 mm.
- Ultra-thin thickness 0.5mm.
- Standard Frequency: 32.768KHz
- Reflow is possible.



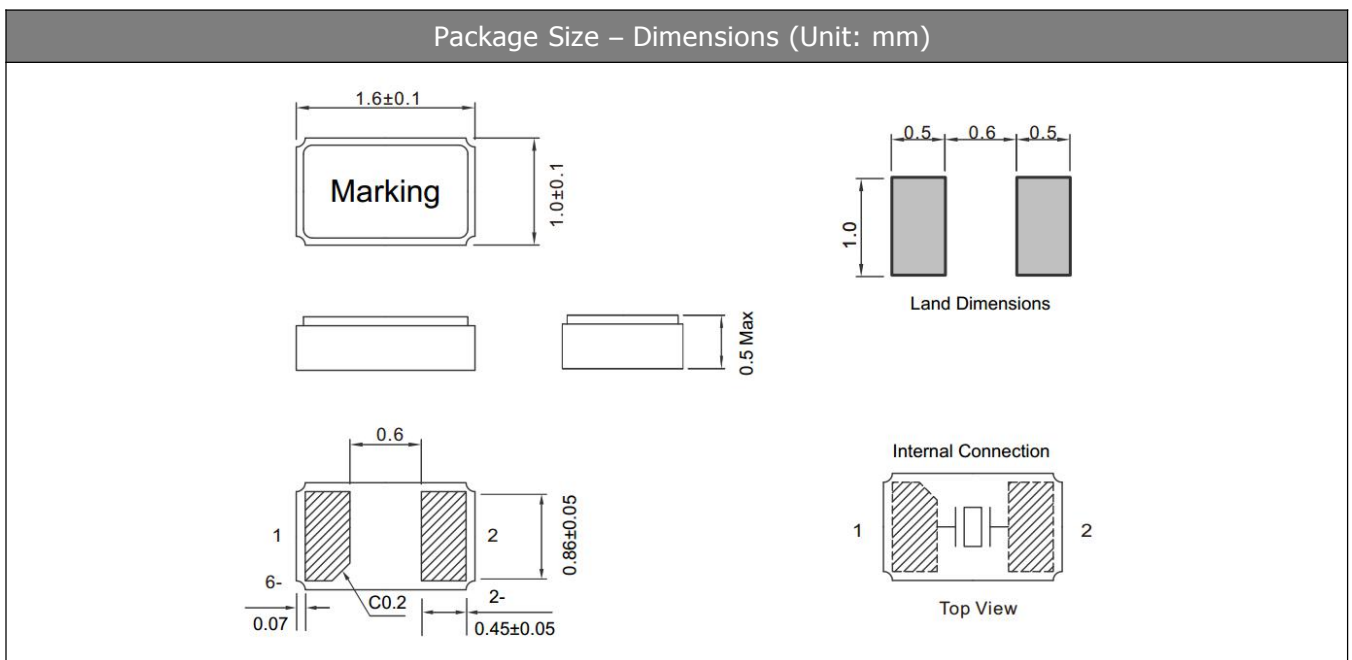
Specifications

Standard Frequency	32.768 KHz
Load Capacitance	7pF, 9pF, 12.5pF, or specify
Frequency Tolerance (at 25)	±10ppm, ±20ppm, or specify
Parabolic Coefficient	(- 0.03 ± 0.01) * 10 ⁻⁶ / °C ²
Operating Temperature	-40~+85°C , or specify
Storage Temperature	-55~+125°C
Shunt Capacitance	1.3 pF Max.
Motional Capacitance	7.5fF
Level of Drive	0.1µWMax
Aging (at 25 °C)	±3ppm/year Max.

Equivalent Series Resistance(ESR)

YSX1610SK
90K Ω Max.

Dimensions and Patterns [unit:mm]



CRYSTAL UNIT

32.768KHZ

YSX1610SK *Small Size*



Reflow Soldering Profile

Pre Heating Temperature

Tp1 ~ Tp2 = + 170 °C

Heating Temperature

TMLt = + 220 °C

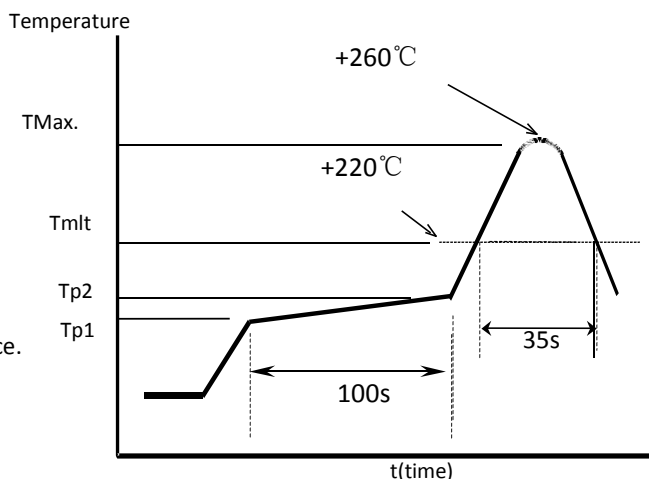
Peek Temperature

TMax. = + 260 °C

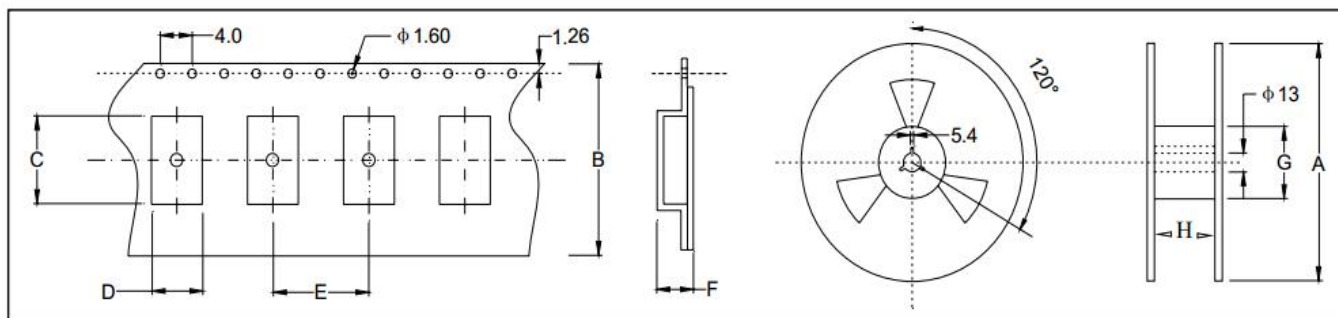
Point of measuring

In case of Solder ability Terminal.

In case of Resistance to soldering heat Surface.



Taping Specification(Unit: mm)



Size	A	B	C	D	E	F	G	H
SMD-1610	180±2.0	8.0±0.3	1.80±0.1	1.20±0.1	4.0±0.1	0.60±0.1	61.0±1.0	8.0±1.0

5000 pcs per reel

单击下面可查看定价，库存，交付和生命周期等信息

[>>YXC\(扬兴\)](#)