

CRYSTAL UNIT

YSX1612SL Small Size

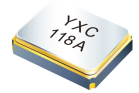


Applications

- SmartWearable TWS IOT Communication.

Features

- Dimensions:1.60 x 1.20 x 0.35 mm.
- Standard Frequency:24~60MHz
- High precision and high frequency stability.
- Excellent heat resistance and environmental characteristics.



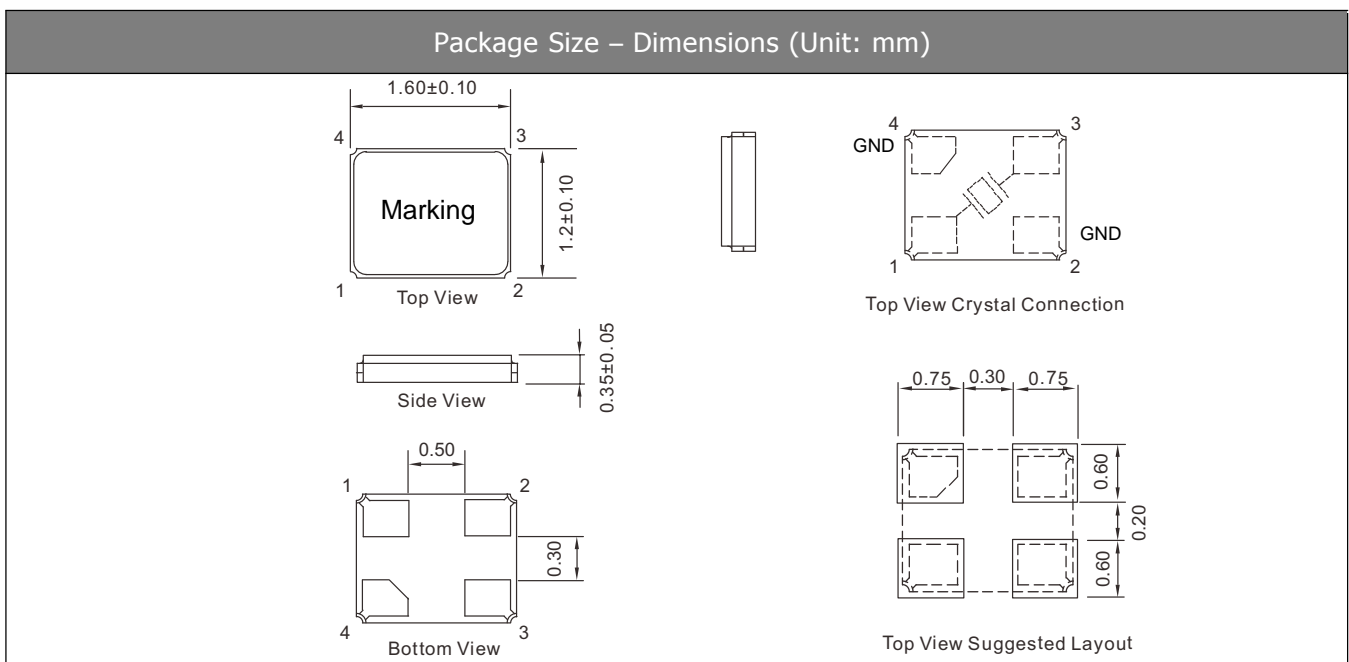
Specifications

Standard Frequency	24~60 MHz
Vibration Mode	AT Fundamental
Load Capacitance	8pF,9pF,12pF,or specify
Frequency Tolerance (at 25)	±10ppm,±20ppm,or specify
Frequency Versus Temperature Characteristics	±20ppm,or specify
Operating Temperature	-20~+70℃, -40~+85℃, or specify
Storage Temperature	-40~+85℃, or specify
Shunt Capacitance	3 pF Max.
Level of Drive	100 μWMax.
Aging (at 25 ℃)	±2ppm/year Max.

Equivalent Series Resistance(ESR)

Fundamental	
32 ~ 40 MHz	150 Ω Max.
41 ~ 60 MHz	100 Ω Max.

Dimensions and Patterns [unit:mm]



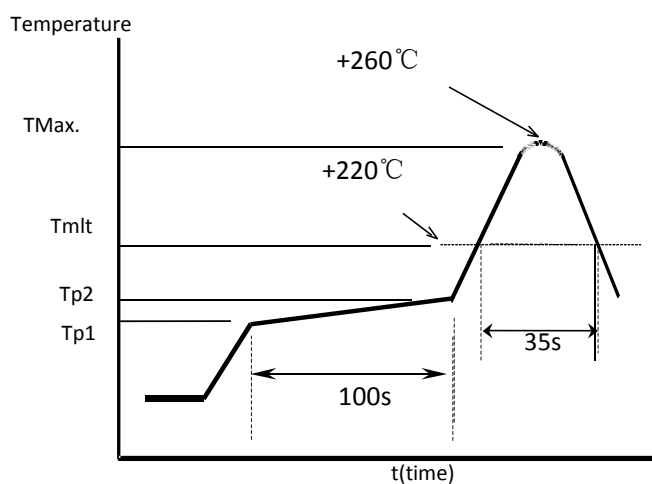
CRYSTAL UNIT

YSX1612SL *Small Size*

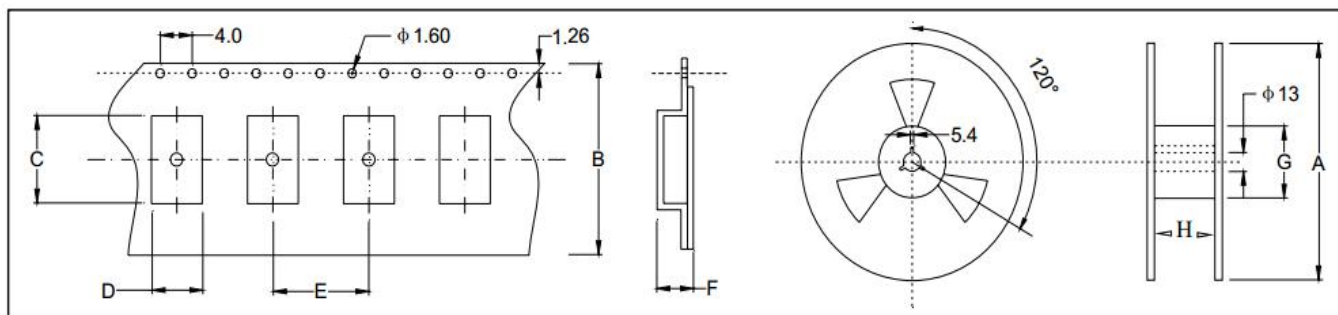


Reflow Soldering Profile

Pre Heating Temperature
 Tp1 ~ Tp2 = + 170 °C
 Heating Temperature
 TMLt = + 220 °C
 Peak Temperature
 TMax. = + 260 °C
 Point of measuring
 In case of Solder ability
 Terminal.
 In case of Resistance to soldering heat
 Surface.



Taping Specification(Unit: mm)



Size	A	B	C	D	E	F	G	H
SMD-1612	180±2.0	8.0±0.3	1.85±0.1	1.90±0.1	4.0±0.1	0.45±0.1	61.0±1.0	8.0±1.0

3000 pcs per reel

单击下面可查看定价，库存，交付和生命周期等信息

[>>YXC\(扬兴\)](#)