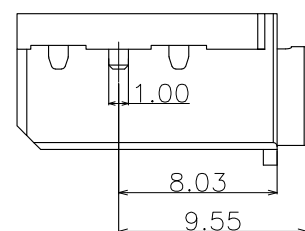
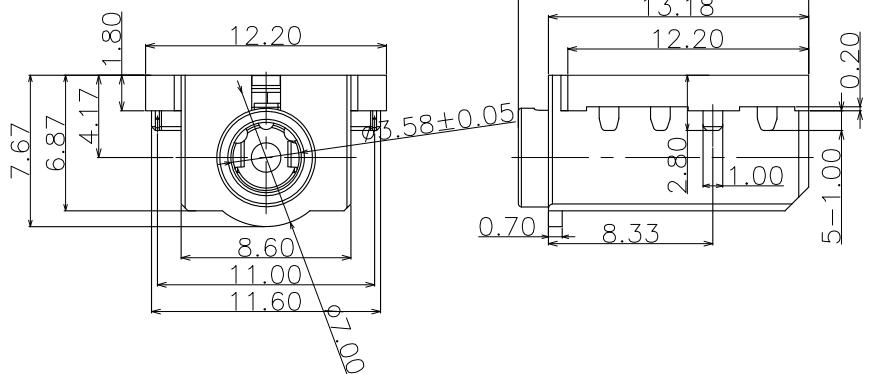
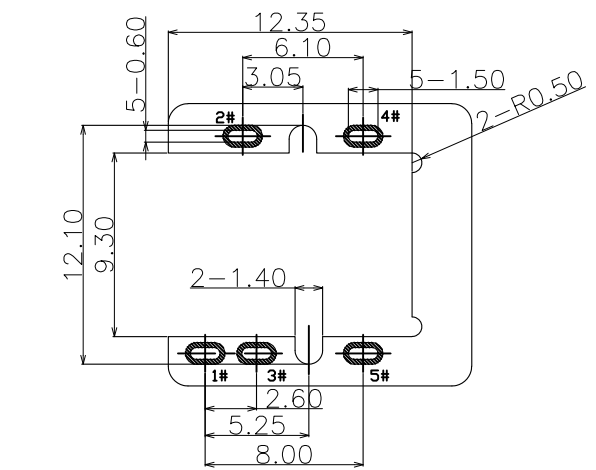


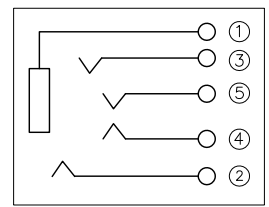
3D VIEW



- NOTES:
- CONTACT CURRENT RATING: 1A.
 - CONTACT RESISTANCE: 50 mΩ MAX.;
 - INSULATION RESISTANCE: 1000Ω MIN.;
 - DIELECTRIC WITHSTANDING: 500V AC MIN.;
 - DURABILITY: 20,000 CYCLES MIN.;
 - CONNECTOR MATING FORCES: 30N MAX.;
 - CONNECTOR UNMATING FORCES: 3N MIN.;
 - TERPROOF LEVEL: IP67.;



P.C.B LAYOUT TOP VIEW



SCHEMATIC

NO.	PART NAME	QTY	MATERIAL	DESCRIPTION	REMARK
⑦	Contact_5	5	1	SPECIFICATIONS	NICKEL UNDER PLATING OVERALL, GOLD FLASH PLATING ON SOLDER AREA
⑥	Contact_4	4	1	SPECIFICATIONS	GOLD FLASH PLATING ON CONTACT AREA
⑤	Contact_3	3	1	SPECIFICATIONS	T=0.20mm
④	Contact_2	2	1	SPECIFICATIONS	T=0.20mm
③	Contact_1	1	1	SPECIFICATIONS	T=0.20mm
②	Separator	1	HIGH TEMP	BLACK,UL94V-0	
①	Housing	1	HIGH TEMP	BLACK,UL94V-0	

深圳市华宇创精密电子有限公司

TOLERANCE: X.X ±0.30 X.XX ±0.25 X.XXX ±0.15 X' ±2' X.X' ±0.5'	DRAWN BY : 陈一鸣	DATE : 2014-02-23	PART NAME: 防水耳机座 PJ-1843
	CHECKED BY: 马跃	DATE : 2014-02-23	PART NO. : HYCW-PJ1843-147B
UNIT: mm [inch] SCALE:1:1 SIZE: A4	APPROVED BY: 邱敏	DATE : 2014-02-23	DRAW NO. : HYC-2211021851
			SHEET NO. : 1 OF 1

单击下面可查看定价，库存，交付和生命周期等信息

[>>华宇创](#)